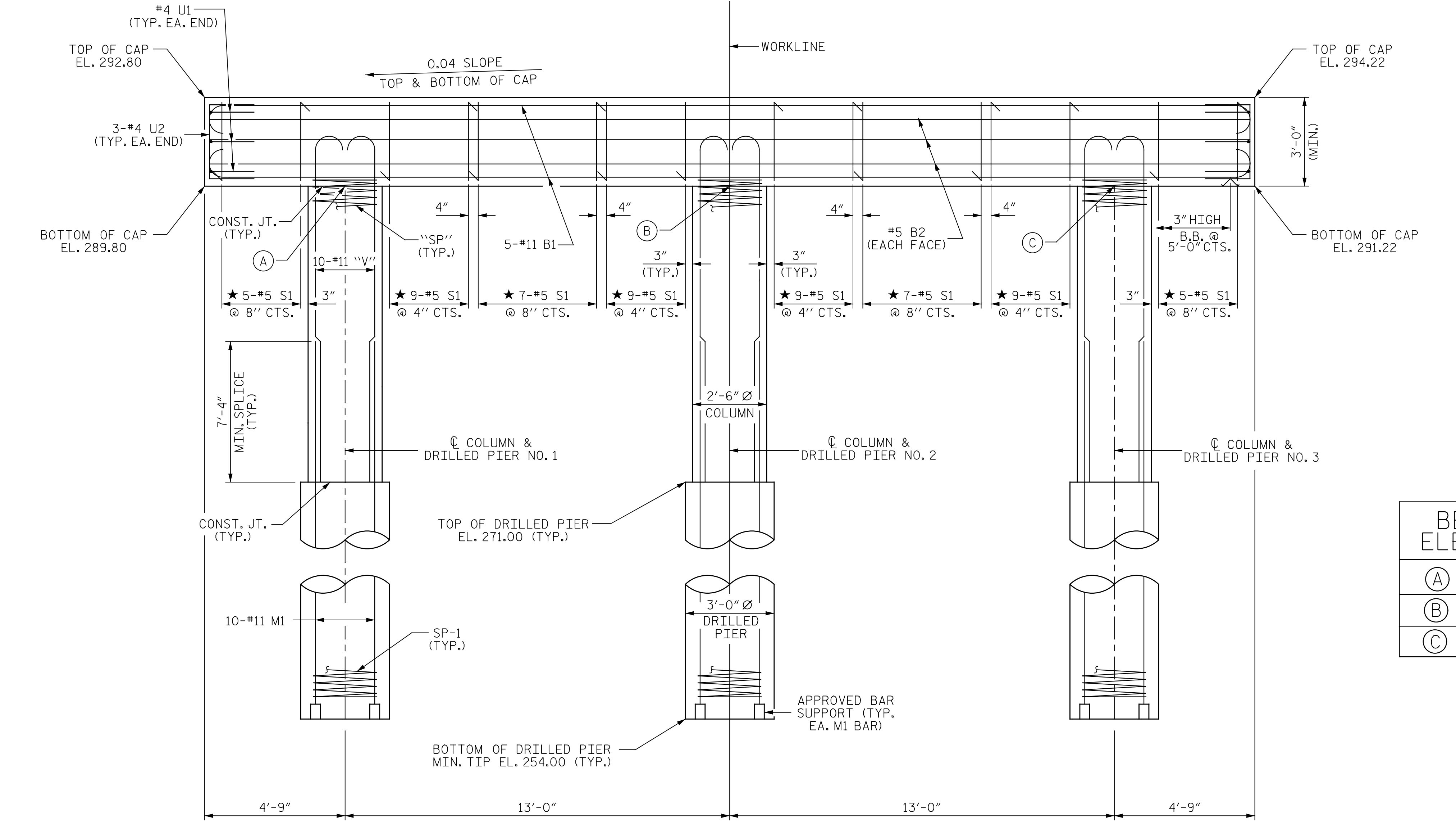
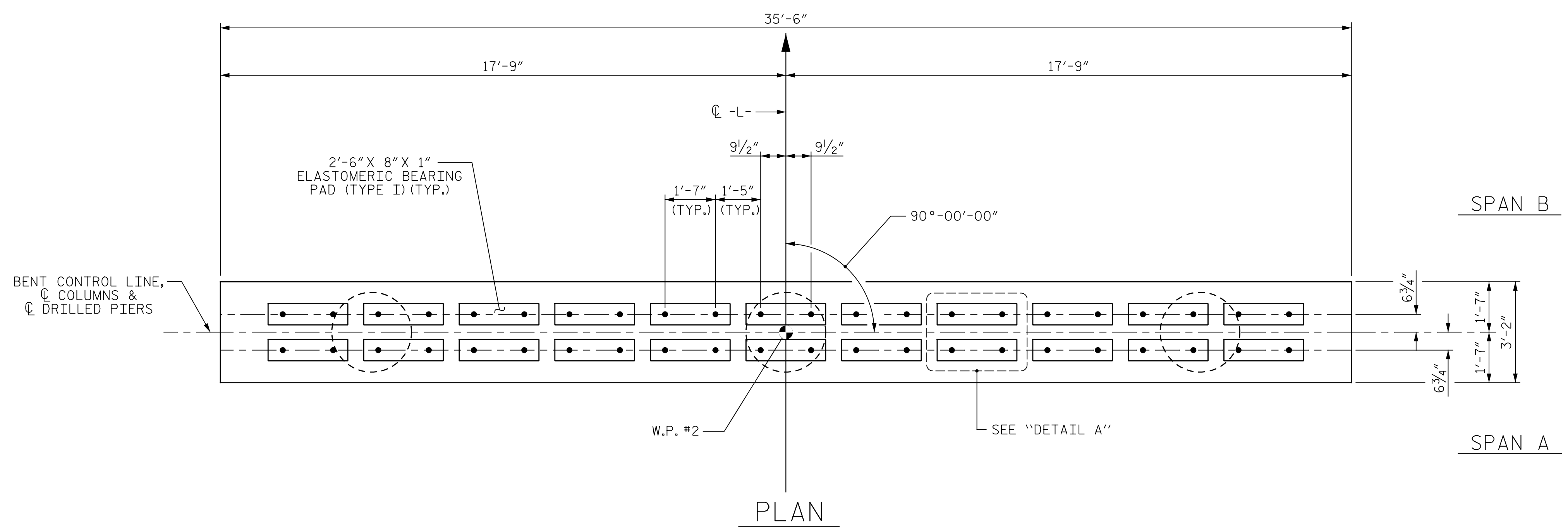


Pen Table: R:\cecad\Plotting\Structures\NCDOT\Pen Tables\ICE_NC_Struct.tbl
 Print Driver: R:\cecad\Plotting\Structures\NCDOT\Plot Config\22x34_PDF_ICE.pltcfgr
 Plotter: R:\cecad\Plotting\Structures\NCDOT\Plot Config\22x34_PDF_ICE.pltcfgr
 User: jlm.austin
 File: R:\Projects\19-55.01_SML.B.6046_SRI917_over_Long_Creek\NCDOT\Structures\Drawings\Find\401.018.B6046_SML.B1.01.830102.dgn
 Plot Date: 11/14/2023 4:07:12 PM



ELEVATION

DIMENSIONS & REINFORCING STEEL ARE TYPICAL FOR EACH COLUMN & DRILLED PIER UNLESS OTHERWISE NOTED.

NOTES

STIRRUPS IN CAP MAY BE SHIFTED AS NECESSARY TO CLEAR DOWELS.

HOOKS ON "V" BARS MAY BE TURNED AS NECESSARY FOR PLACING REINFORCING STEEL.

FOR DRILLED PIERS, SEE SECTION 411 OF THE STANDARD SPECIFICATIONS.

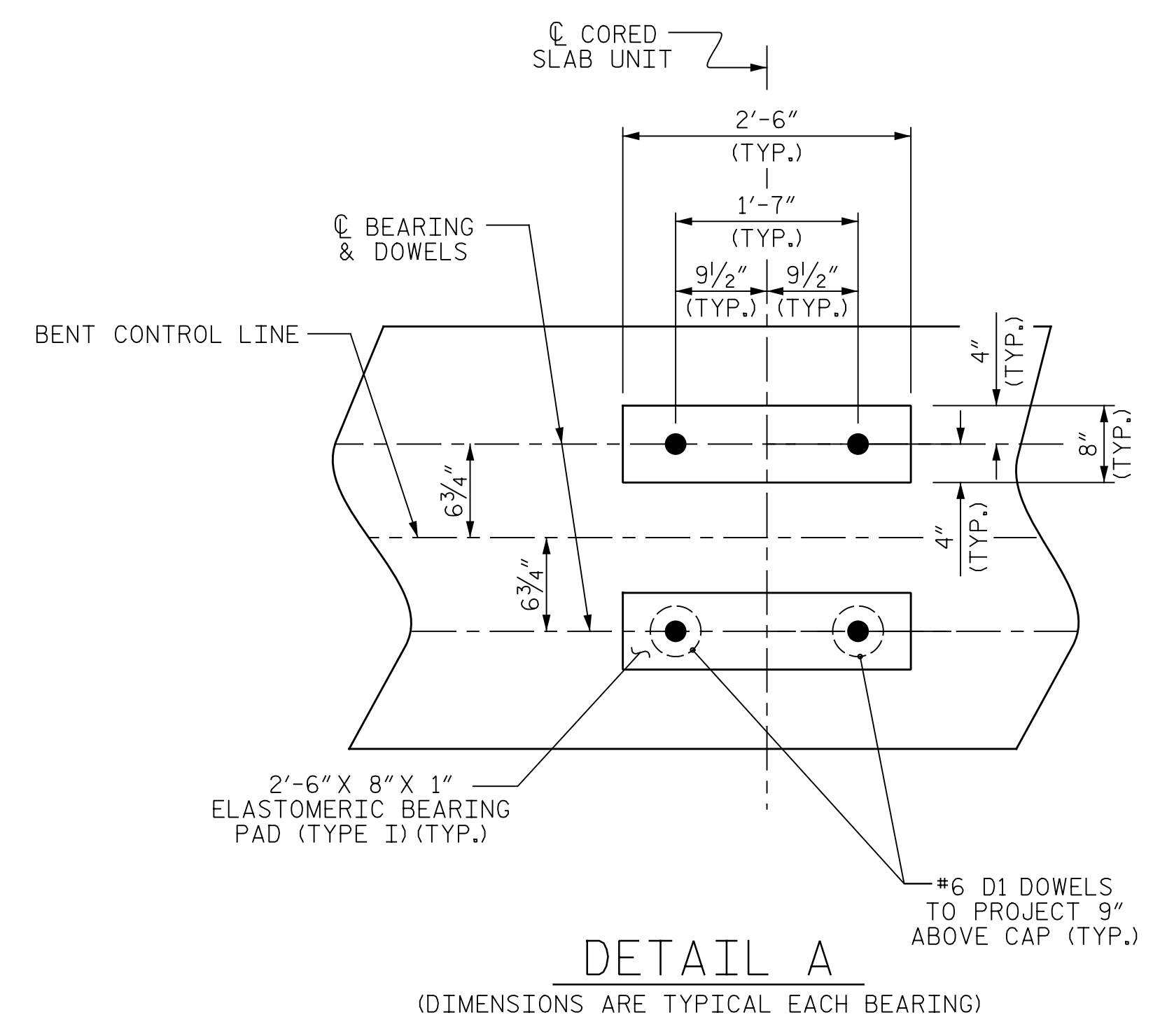
ALL STEEL IN THE DRILLED PIERS IS INCLUDED IN THE PAY ITEMS FOR "REINFORCING STEEL" AND "SPIRAL COLUMN REINFORCING STEEL."

★ INVERT ALTERNATE STIRRUPS.

THE LOCATION OF THE CONSTRUCTION JOINT IN THE DRILLED PIERS IS BASED ON AN APPROXIMATE GROUND LINE ELEVATION. IF THE CONSTRUCTION JOINT IS ABOVE THE ACTUAL GROUND LINE ELEVATION, THE CONTRACTOR SHALL PLACE THE CONSTRUCTION JOINT ONE FOOT BELOW THE GROUND LINE.

DRILLED PIERS SHALL BE TERMINATED ONE FOOT ± ABOVE NORMAL WATER SURFACE ELEVATION FOR SHAFTS LOCATED IN WATER.

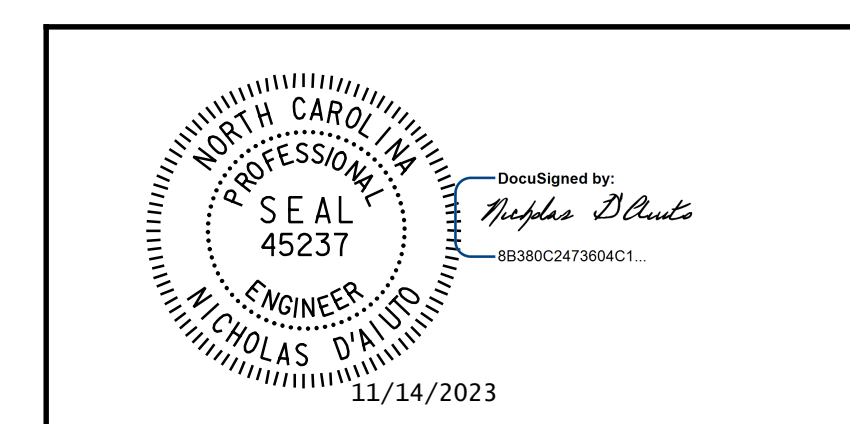
THE CONTRACTOR'S ATTENTION IS CALLED TO THE FACT THAT THE LONGITUDINAL REINFORCEMENT FOR DRILLED PIERS IS DETAILED WITH 3 FEET OF EXTRA LENGTH.



BENT CAP ELEVATIONS	
(A)	289.99
(B)	290.51
(C)	291.03

PROJECT NO. B-6046
STANLY COUNTY
 STATION: 17+66.00 -L-

SHEET 1 OF 2



STATE OF NORTH CAROLINA
 DEPARTMENT OF TRANSPORTATION
 RALEIGH
 SUBSTRUCTURE
BENT 1

DRAWN BY: J. N. AUSTIN DATE: 8-10-22
 CHECKED BY: N. D'AIUTO DATE: 8-12-22
 DESIGN E.O.R.: N. D'AIUTO DATE: 1-4-23

DOCUMENT NOT CONSIDERED FINAL
 UNLESS ALL SIGNATURES COMPLETED

ICE of CAROLINAS, PLLC
 4505 Falls of Neuse Road, Suite 110
 Raleigh, North Carolina 27609
 Phone: 919-822-0333
 License #: P-9999

REVISIONS						SHEET NO.
NO.	BY:	DATE:	NO.	BY:	DATE:	S-17
1			3			TOTAL SHEETS
2			4			24