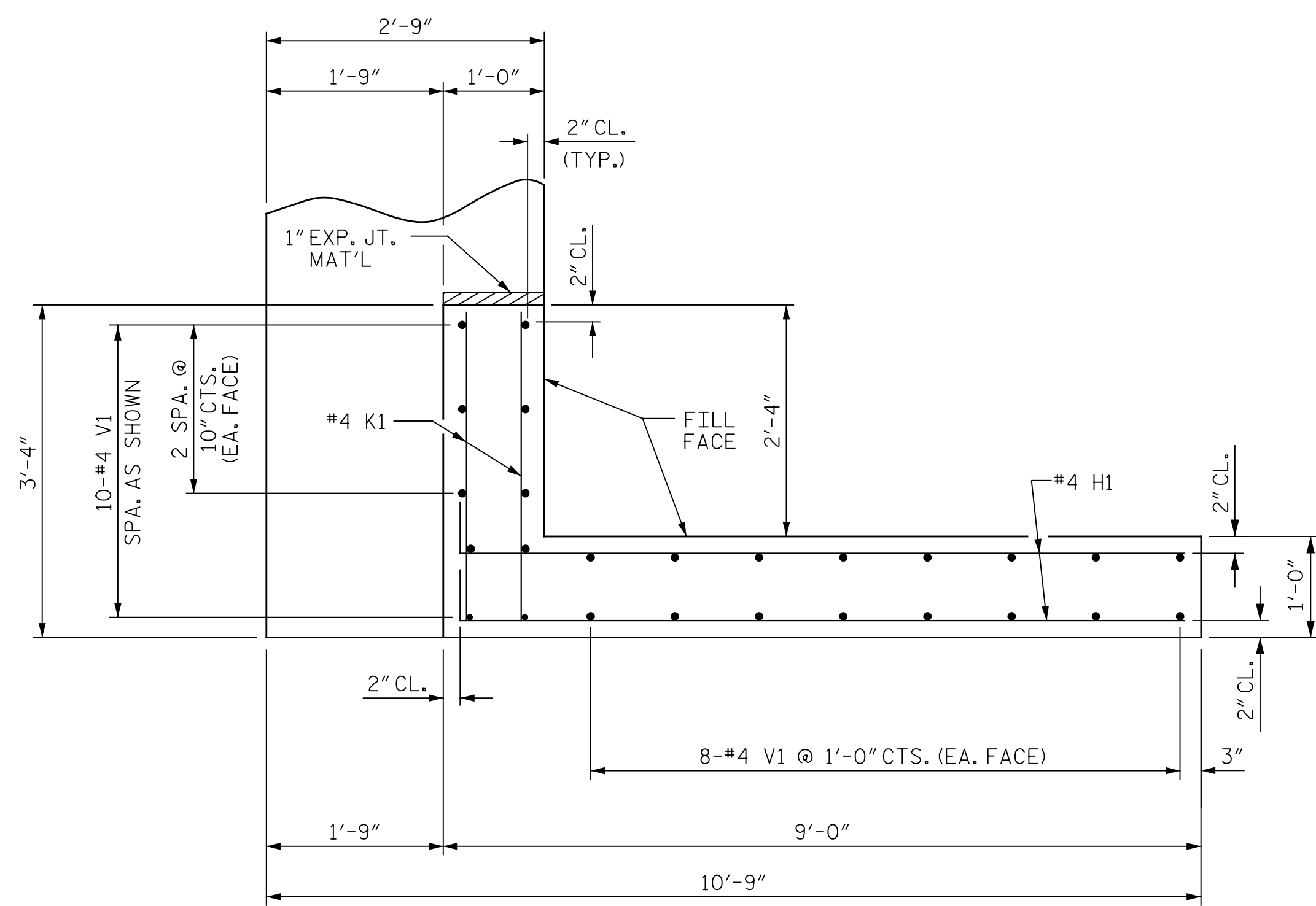
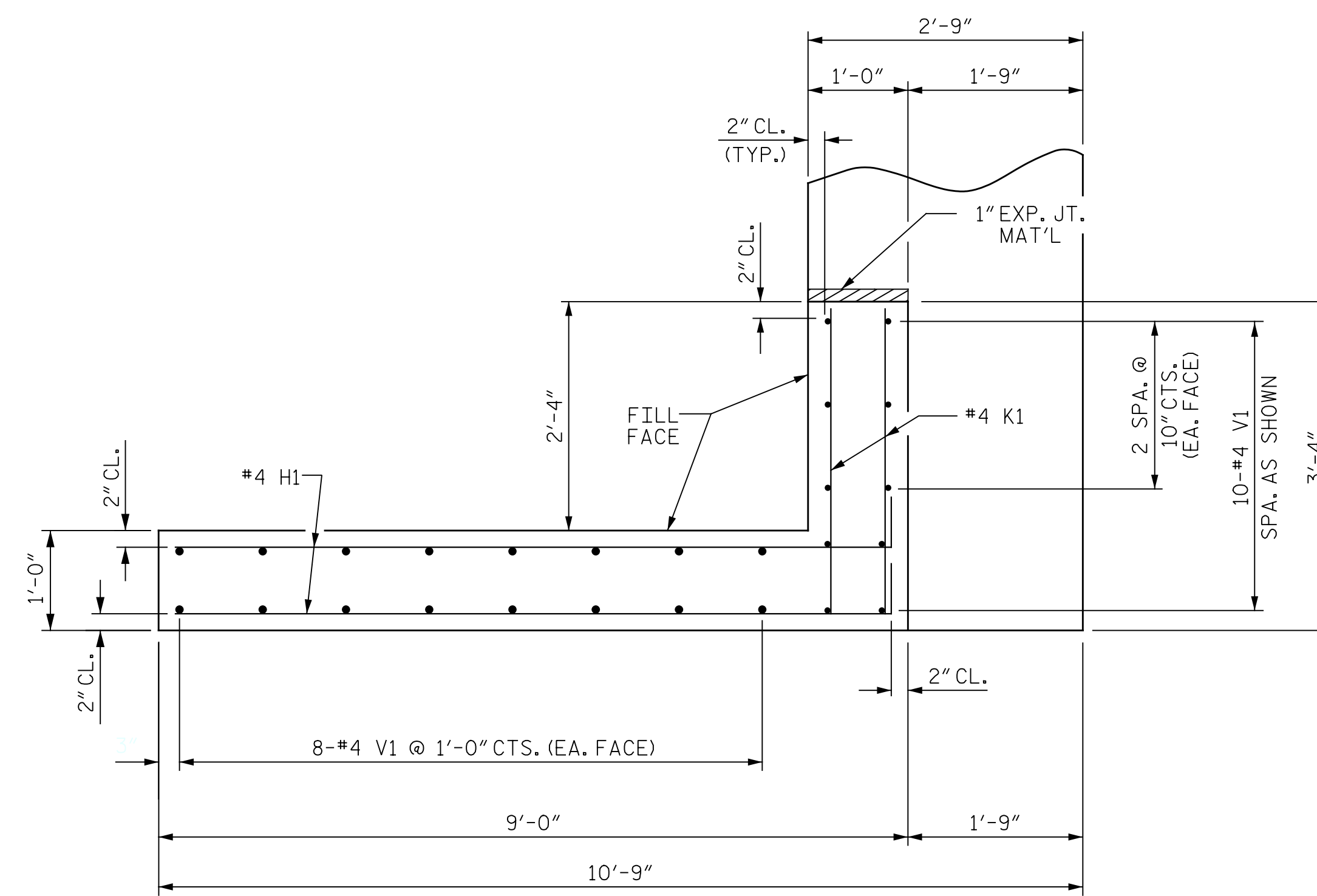


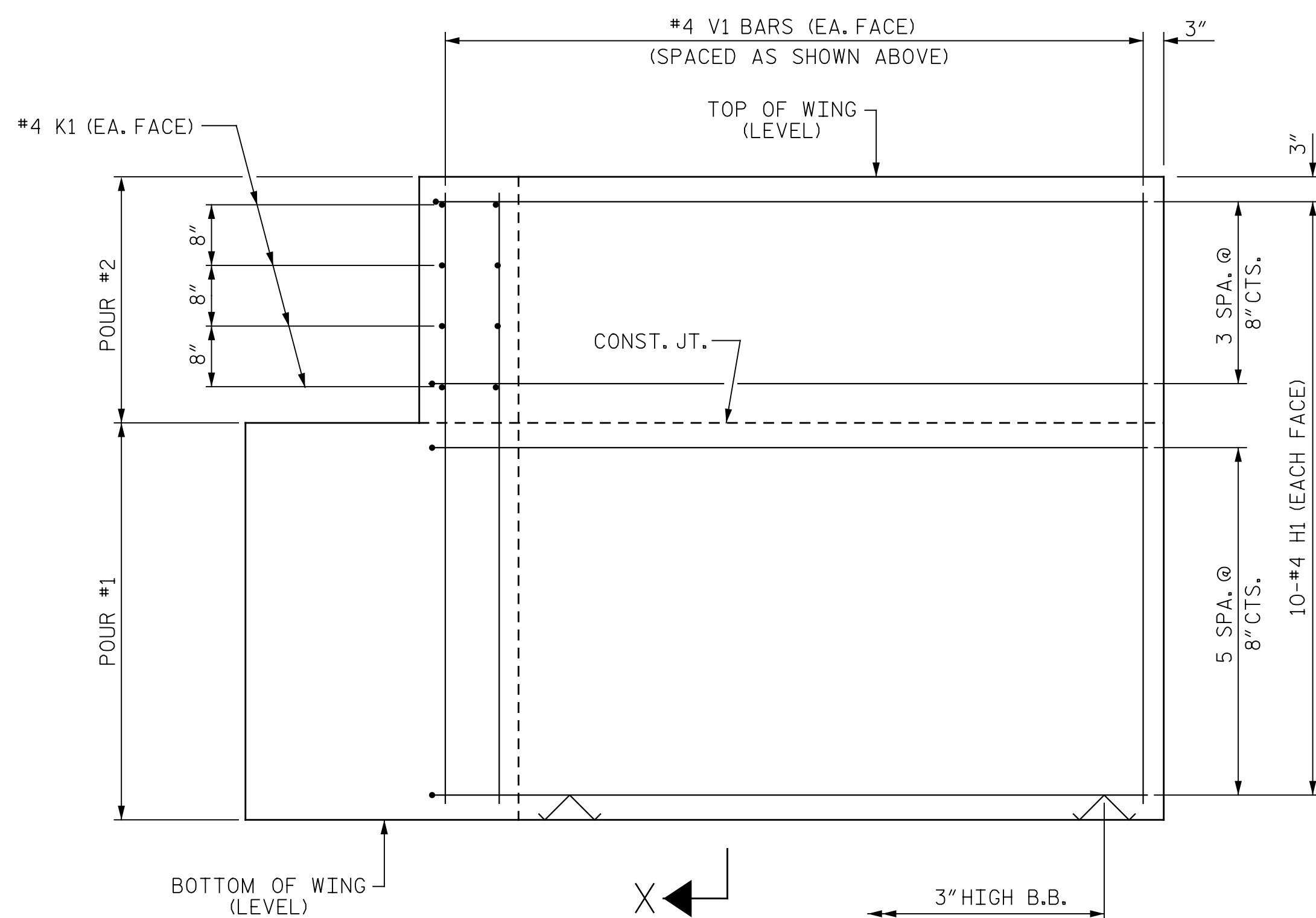
Pen Table: R:\cecad\Plotting\Structures\NCDOT\Pen Tables\ICE\_NC\_Struct.tbl  
 Print Driver: R:\cecad\Plotting\Structures\NCDOT\Plot Config\2x34\_PDF\_ICE.pltcfgr  
 Plot Date: 11/14/2023 4:07:09 PM  
 User Name: jlm.austin  
 File Name: R:\Projects\19-55.01\_SML.B.6046\_SRI917\_Over\_Long\_Creek\NCDOT\Structures\Drawings\Find\401.016.B6046\_SML.EB3.830102.dgn



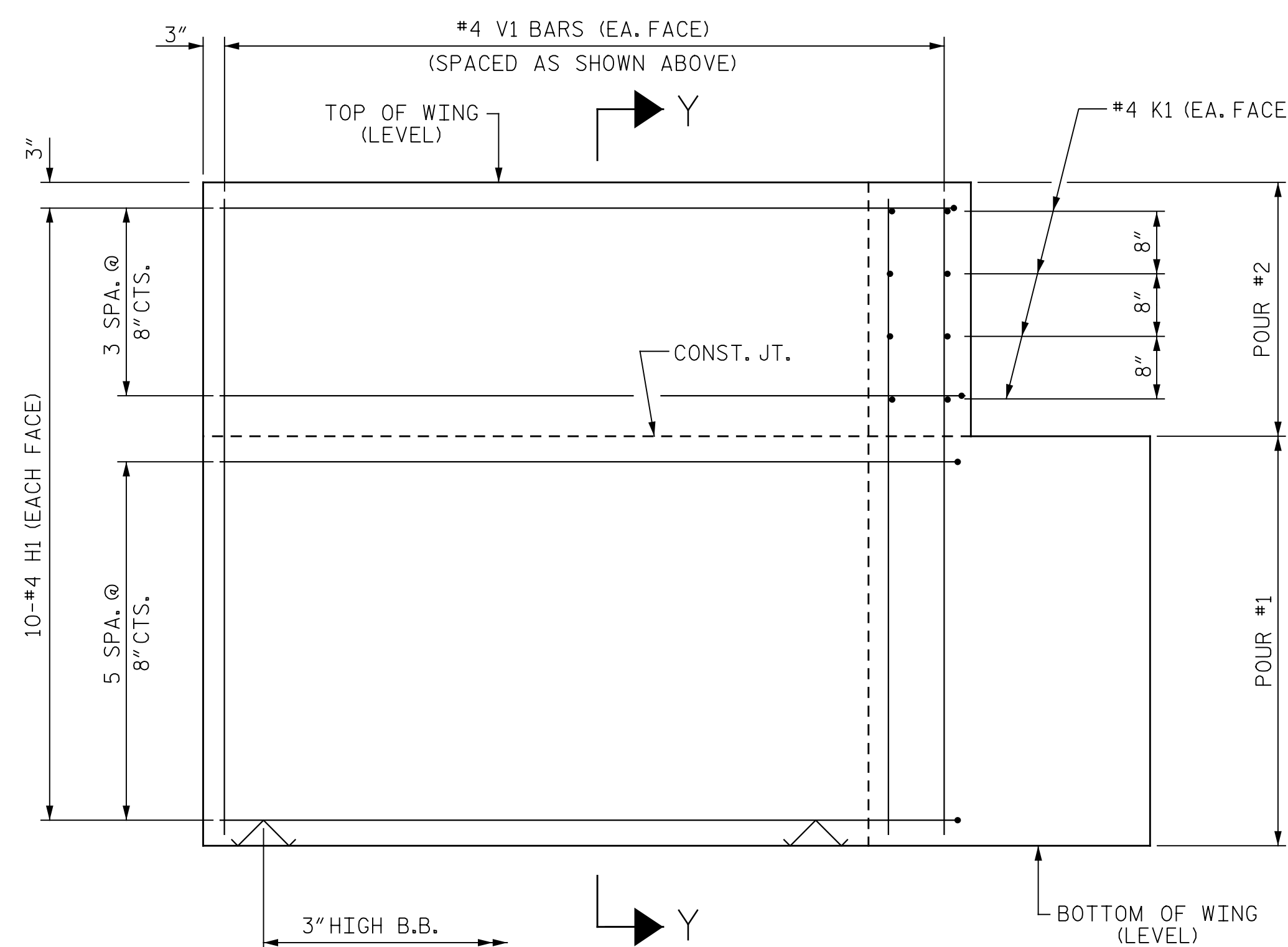
PLAN OF WING (W1)



PLAN OF WING (W2)

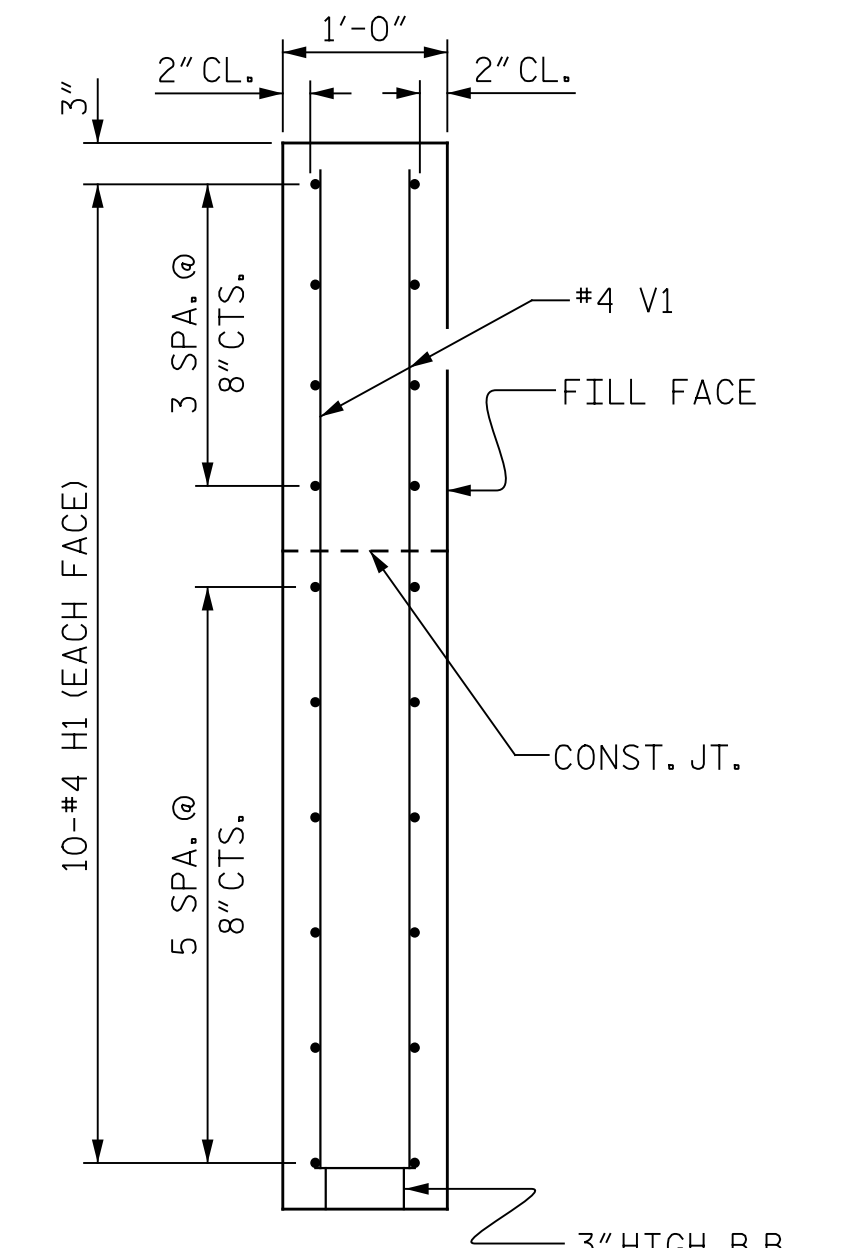


ELEVATION OF WING (W1)

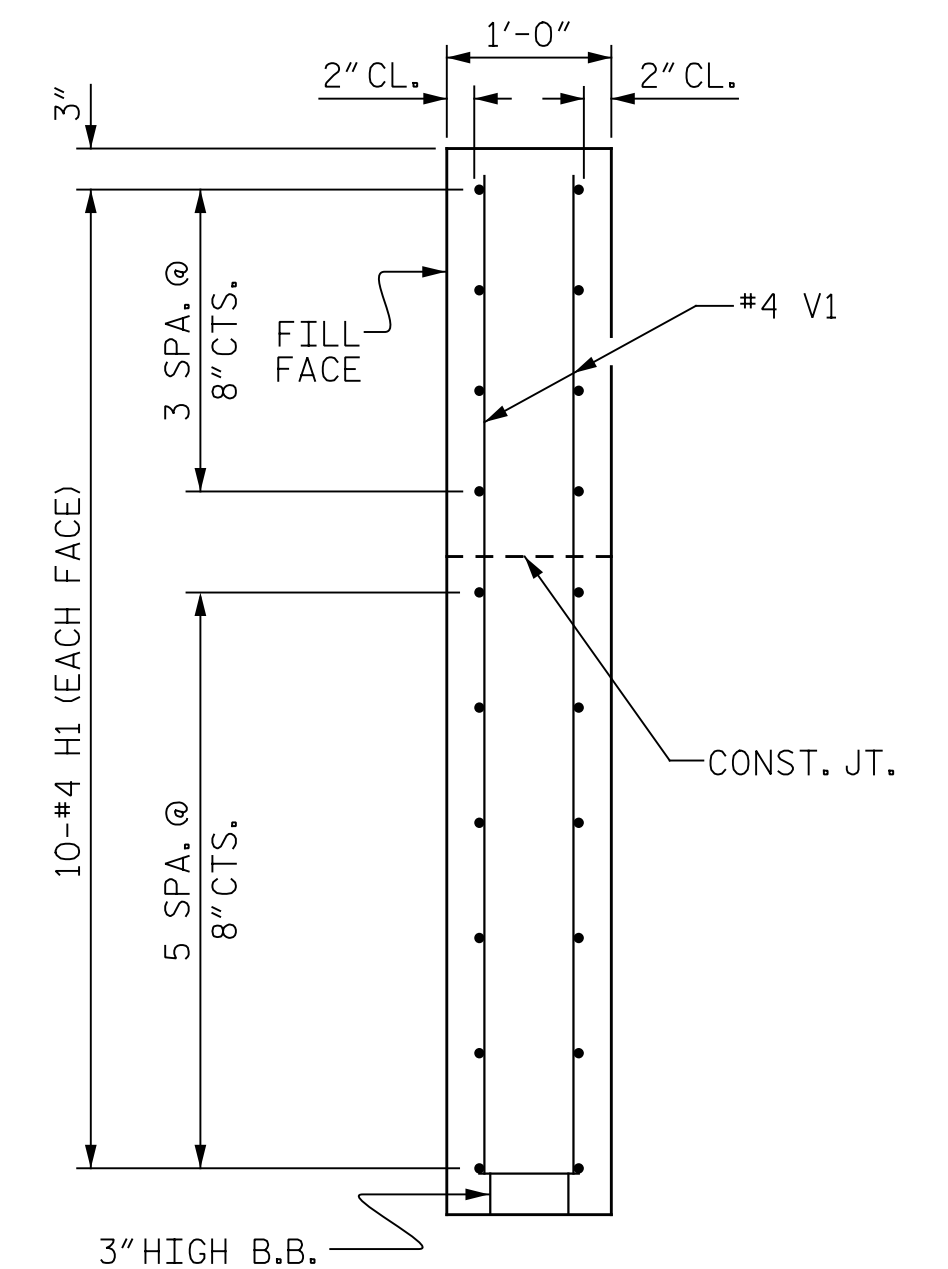


ELEVATION OF WING (W2)

WING DETAILS



SECTION X-X



SECTION Y-Y

PROJECT NO. B-6046  
 STANLY COUNTY  
 STATION: 17+66.00 -L-

SHEET 3 OF 4

DRAWN BY : J. N. AUSTIN DATE : 8-10-22  
 CHECKED BY : N. D'AIUTO DATE : 8-12-22  
 DESIGN E.O.R. : N. D'AIUTO DATE : 1-4-23

DOCUMENT NOT CONSIDERED FINAL  
 UNLESS ALL SIGNATURES COMPLETED

Professional Engineer Seal for Nicholas D'Auto, License # P-0999, dated 11/14/2023.

STATE OF NORTH CAROLINA DEPARTMENT OF TRANSPORTATION RALEIGH					
SUBSTRUCTURE END BENT WING DETAILS					
REVISIONS					
NO.	BY:	DATE:	NO.	BY:	DATE:
1			3		
2			4		
					SHEET NO. S-15
					TOTAL SHEETS 24