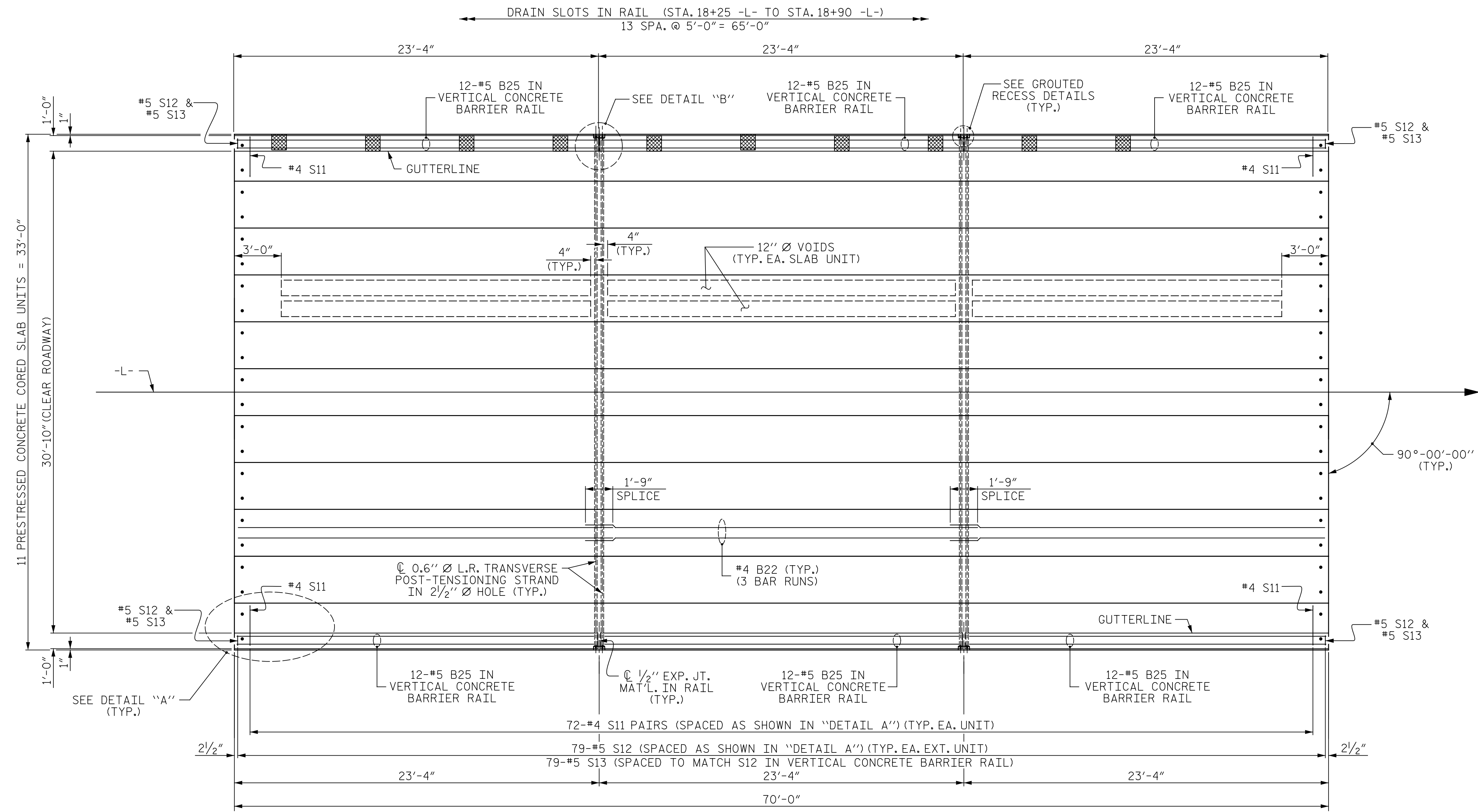
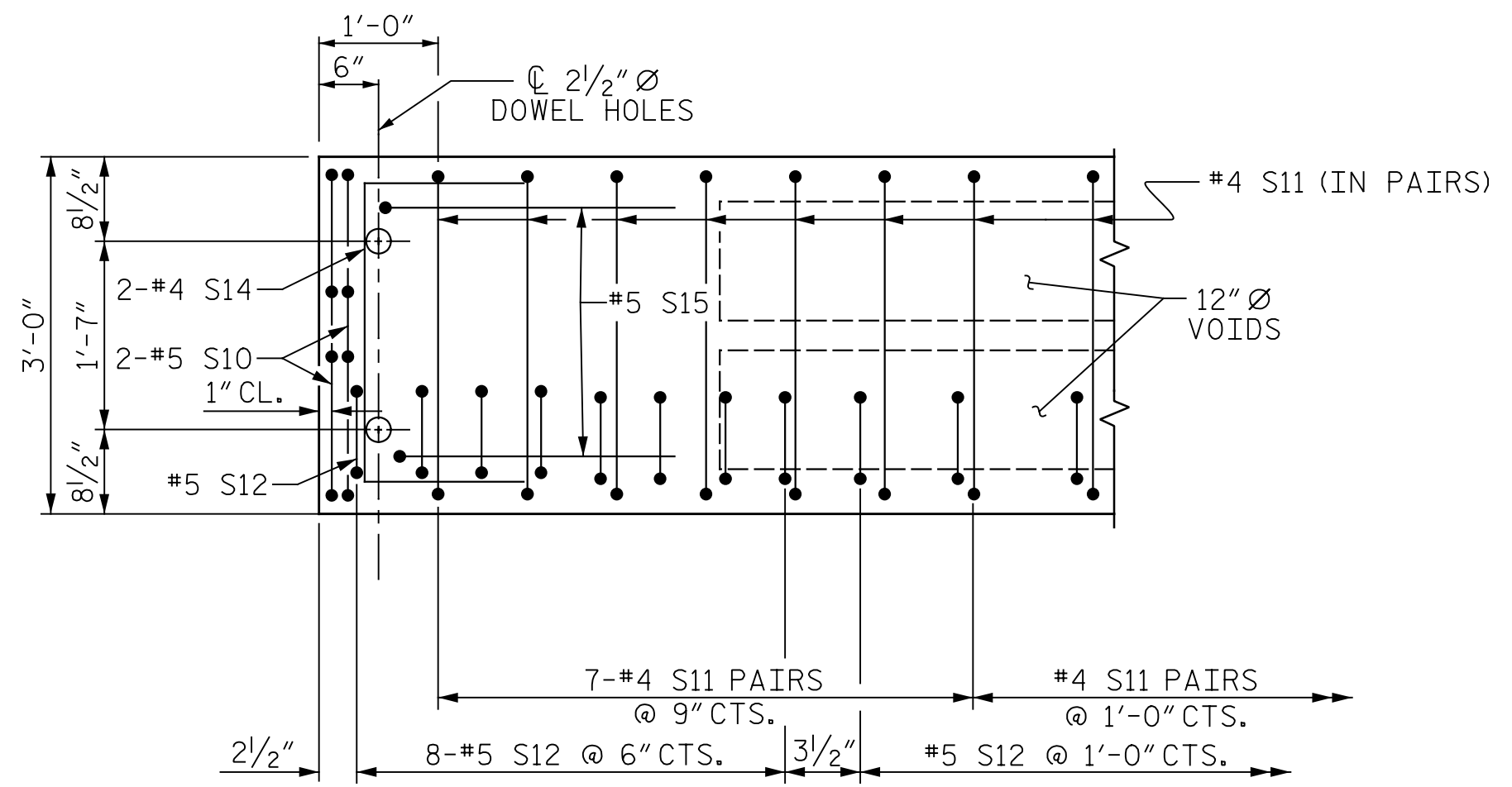


Pen Table: R:\cecad\Plotting\Structures\NCDOT\Pen Tables\ICE_NC_Struct.tbl
 Print Driver: R:\cecad\Plotting\Structures\NCDOT\Plot Config\22x34_PDF_ICE.plt
 Plot Date: 11/14/2023 4:07:00 PM
 Username: jim.austin
 File Name: R:\Projects\19-55.01_SML.B.6046_SRI917_Over_Long_Creek\NCDOT\Structures\Drawings\Find\401_010_B6046_SML_S2_8310102.dgn

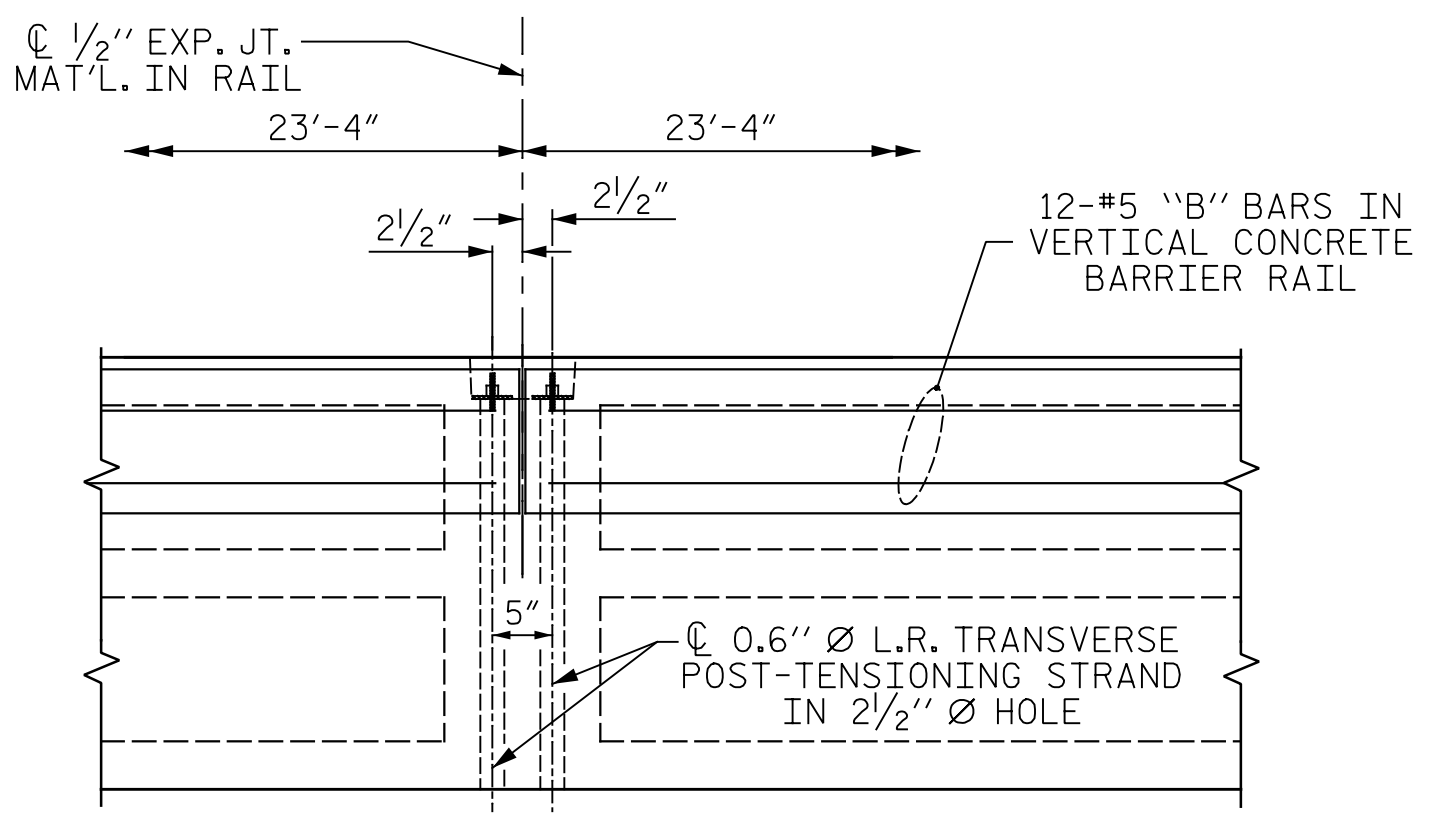


PLAN OF UNIT



DETAIL A

(TYPICAL EACH END OF UNIT)
 NOTE: EXTERIOR UNIT SHOWN - INTERIOR UNIT SIMILAR EXCEPT OMIT #5 S12 BARS.

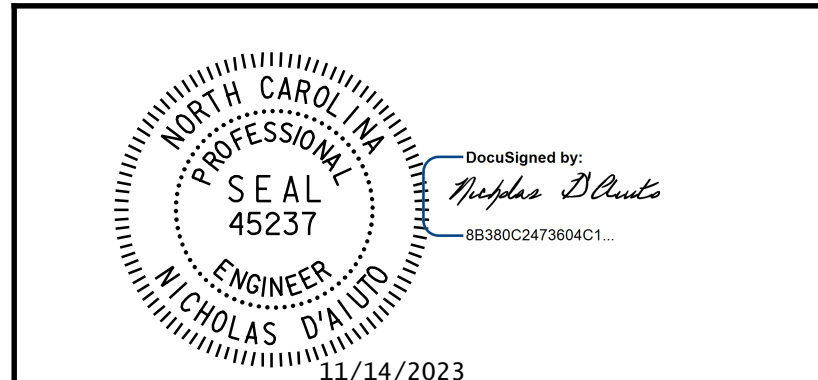


DETAIL B

#4 S11 BARS MAY BE SHIFTED AS NECESSARY TO MAINTAIN 1" CLEAR TO GROUDED RECESS AND 2 1/2" Ø TRANSVERSE POST-TENSIONING STRAND HOLES

PROJECT NO. B-6046
 STANLY COUNTY
 STATION: 17+66.00 -L-

STATE OF NORTH CAROLINA
 DEPARTMENT OF TRANSPORTATION
 RALEIGH
 SUPERSTRUCTURE
 PLAN OF 70' UNIT
 30'-10" CLEAR ROADWAY
 90° SKEW



REVISIONS						SHEET NO.
NO.	BY:	DATE:	NO.	BY:	DATE:	S-09
1			3			TOTAL SHEETS
2			4			24

DOCUMENT NOT CONSIDERED FINAL
 UNLESS ALL SIGNATURES COMPLETED

ICE of CAROLINAS, PLLC
 4505 Falls of Neuse Road, Suite 110
 Raleigh, North Carolina 27609
 Phone: 919-822-0333
 License #: P-9999