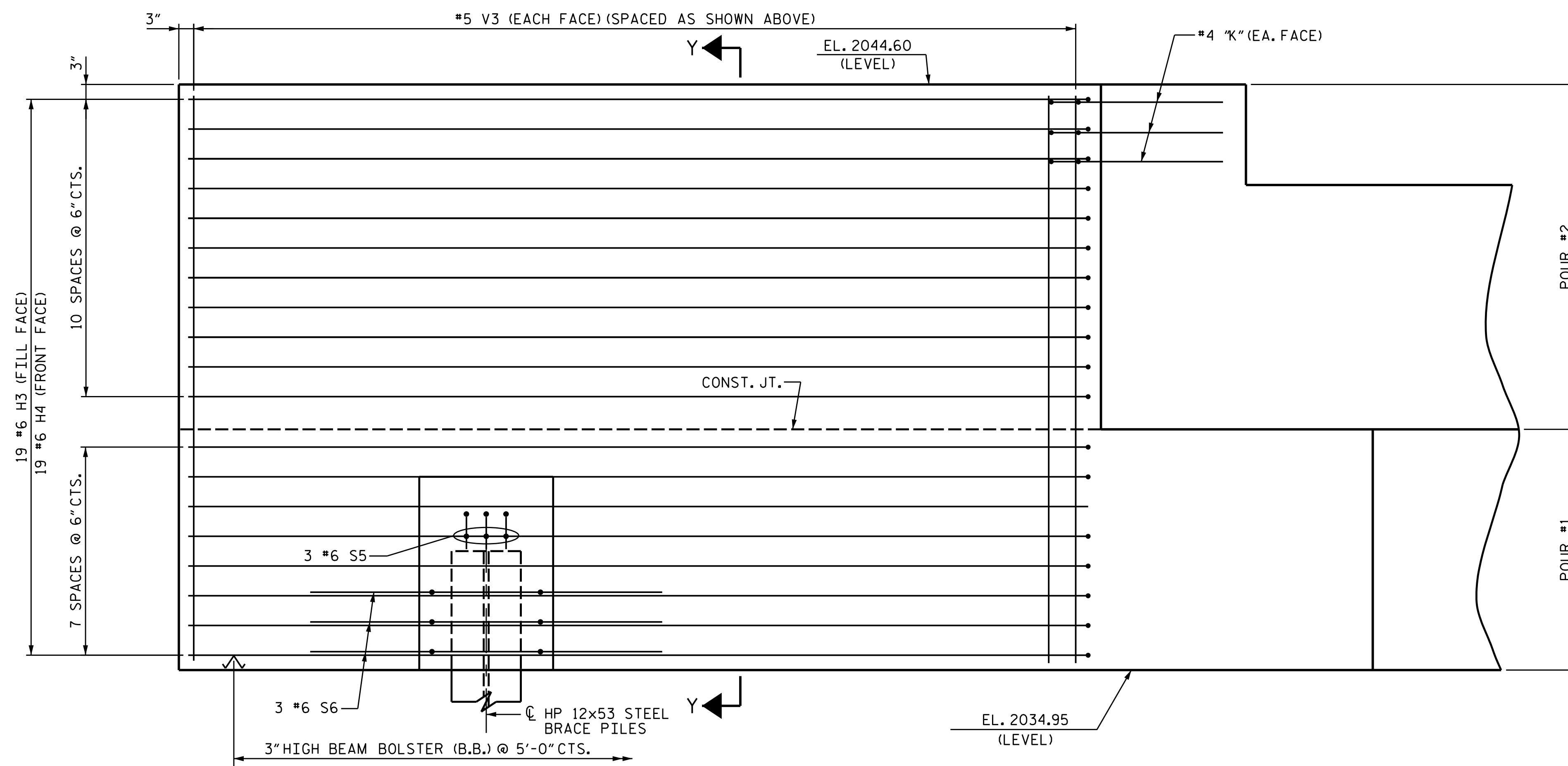
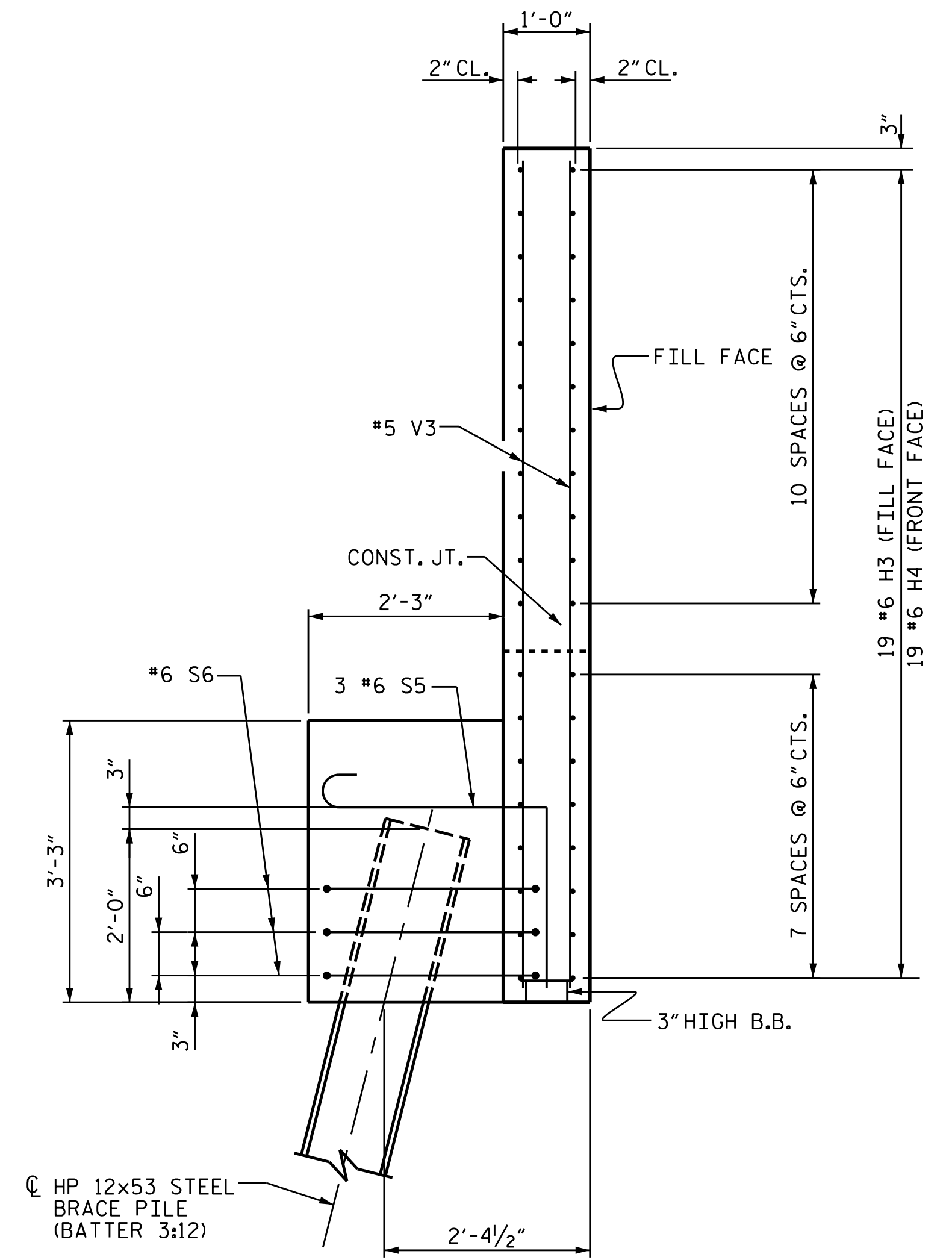


PLAN OF WING (W2)



ELEVATION OF WING (W2)



SECTION Y-Y

PROJECT NO. 17BP.14.R.204
 JACKSON COUNTY
 STATION: 24+58.00-L-

SHEET 3 OF 4

STATE OF NORTH CAROLINA
 DEPARTMENT OF TRANSPORTATION
 RALEIGH

SUBSTRUCTURE
 END BENT 1
 WING DETAILS

11/15/2023 | 7:42 AM EST

DOCUMENT NOT CONSIDERED FINAL
 UNLESS ALL SIGNATURES COMPLETED

TGS ENGINEERS
 201 W. MARION ST STE 200
 SHELBY, NC 28150
 PH (704) 476-0003
 CORP. LICENSE NO.: C-0275

REVISIONS						SHEET NO.
NO.	BY	DATE	NO.	BY	DATE	S-33
1			3			TOTAL SHEETS
2			4			47

DRAWN BY : NMW DATE : 8/22
 CHECKED BY : MGC DATE : 10/22
 DESIGN ENGINEER OF RECORD : ZCS DATE : 1/23