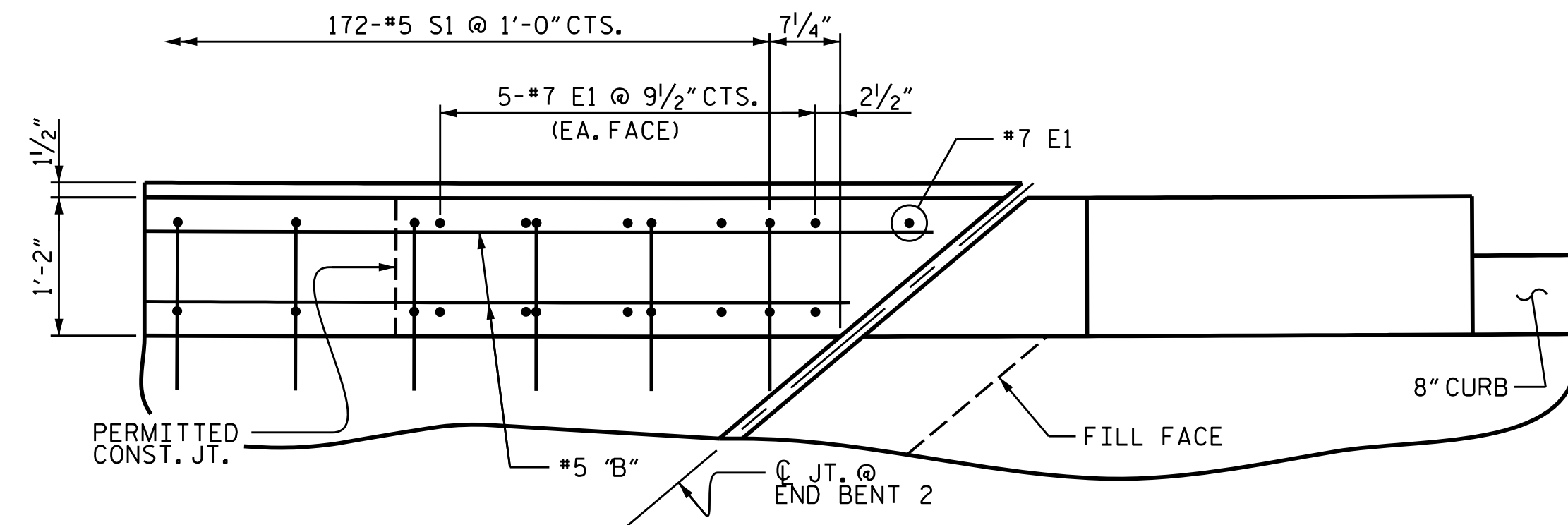
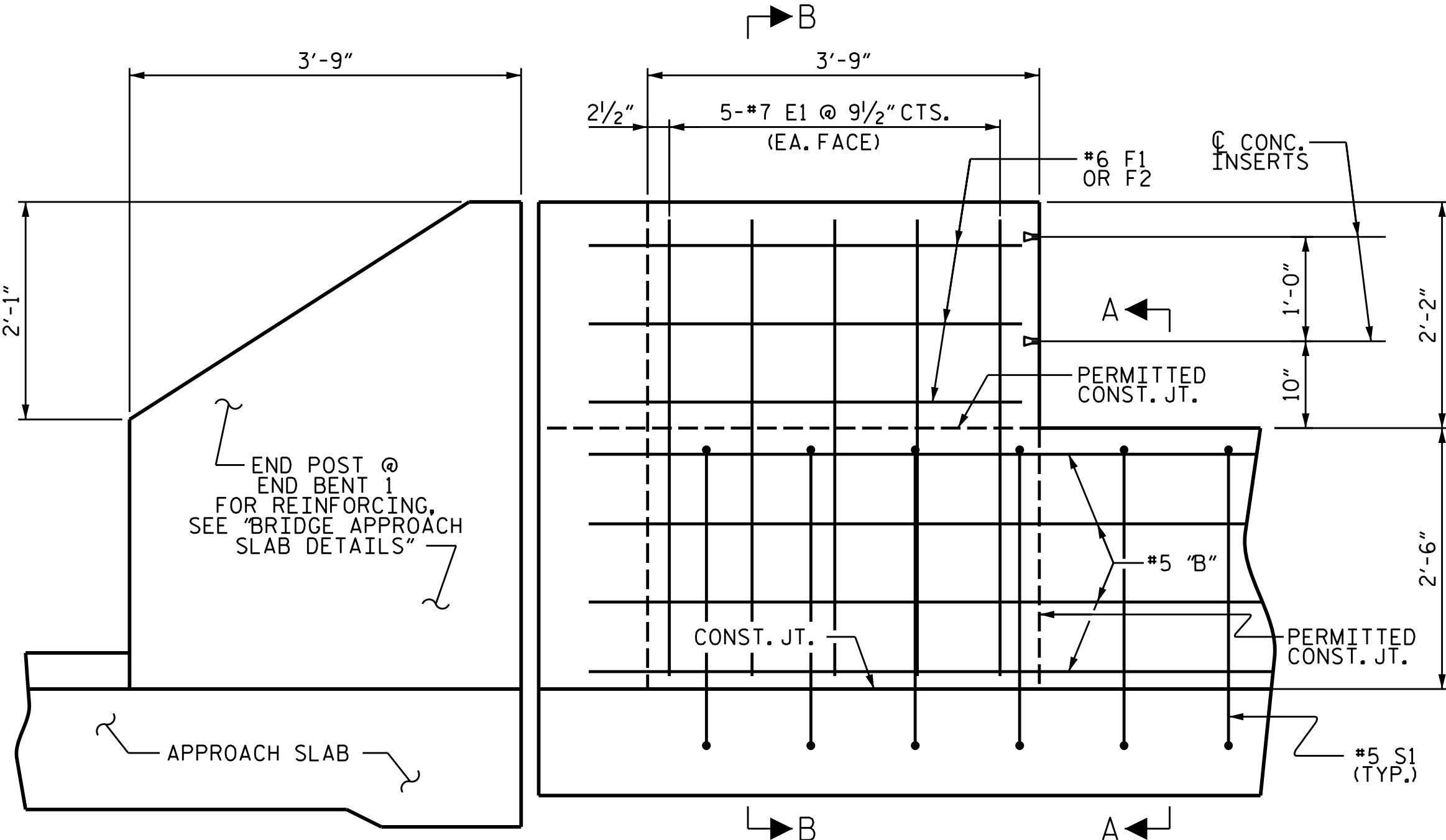


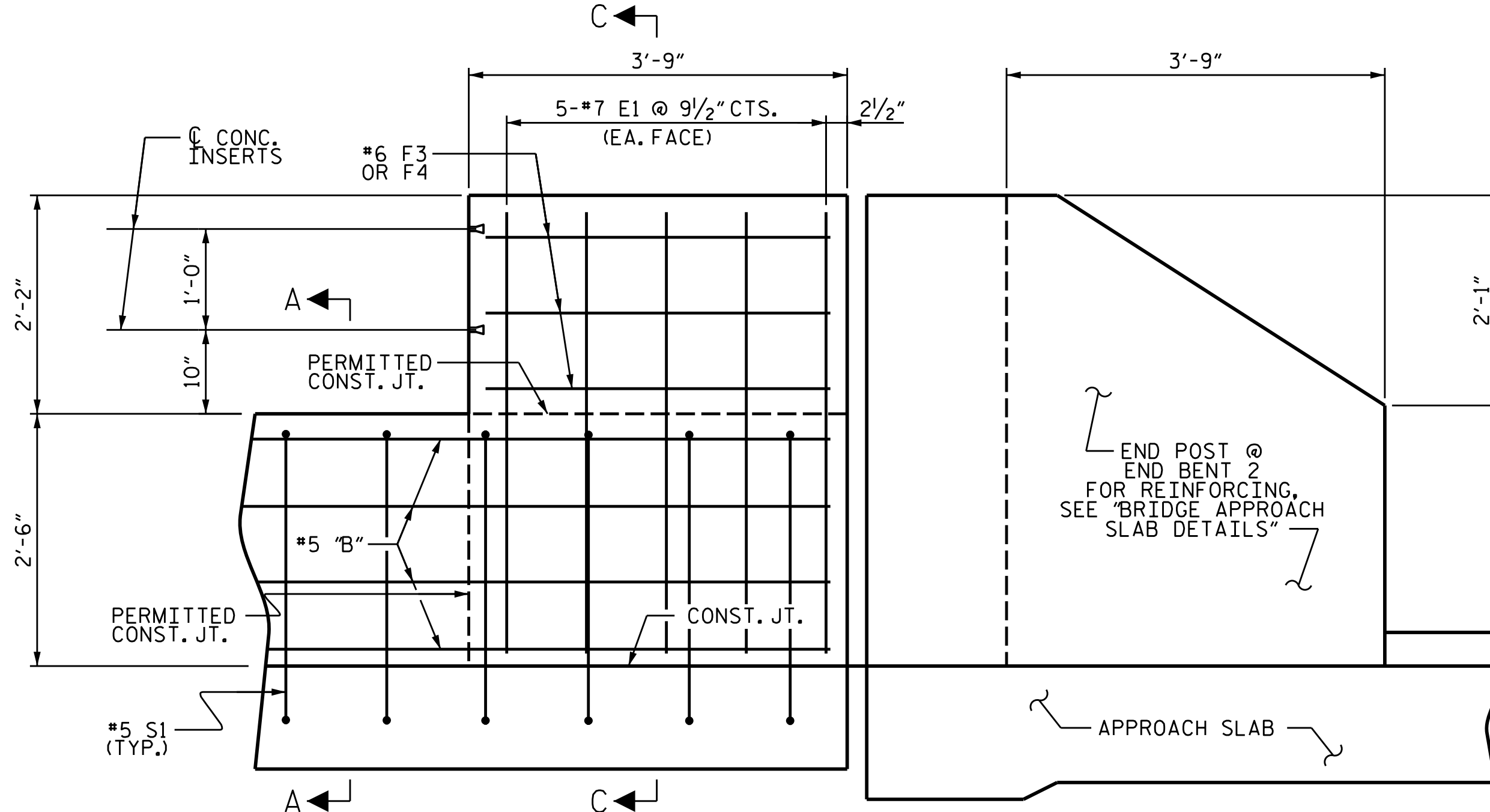
PLAN OF PARAPET
LEFT SIDE SHOWN, RIGHT SIDE SIMILAR



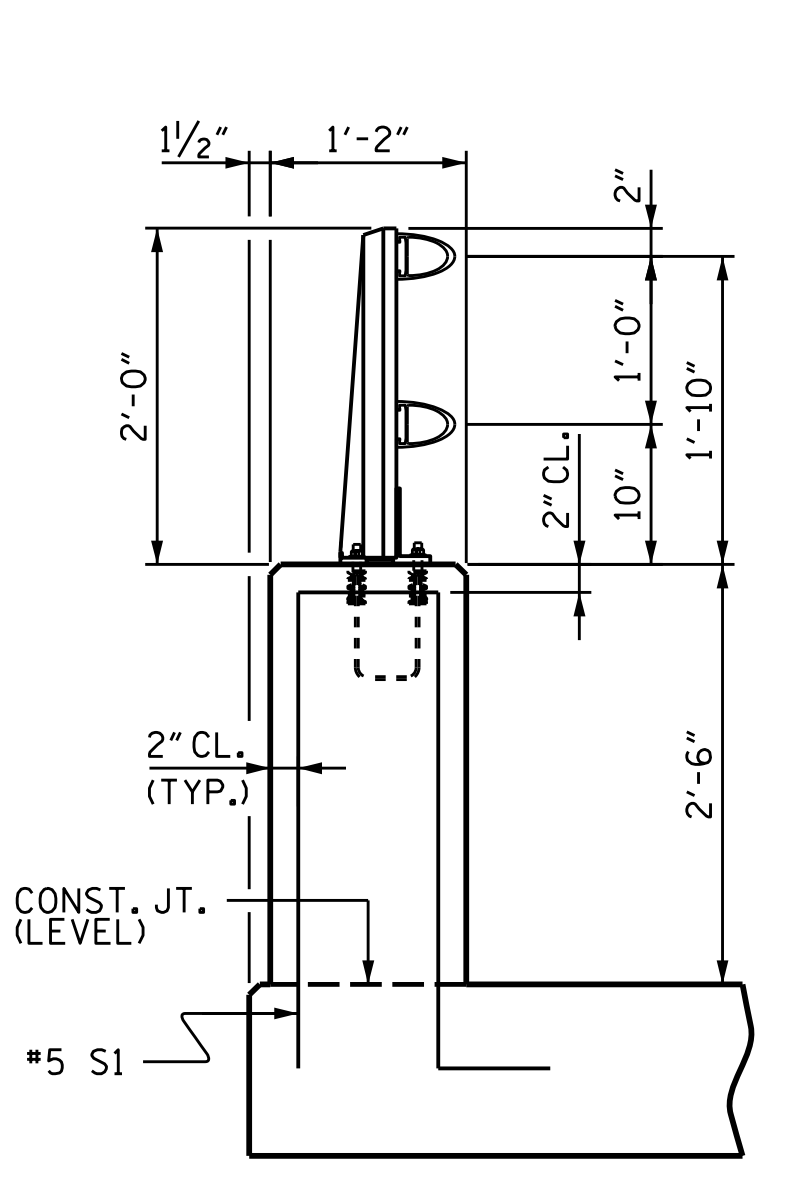
PLAN OF PARAPET
LEFT SIDE SHOWN, RIGHT SIDE SIMILAR



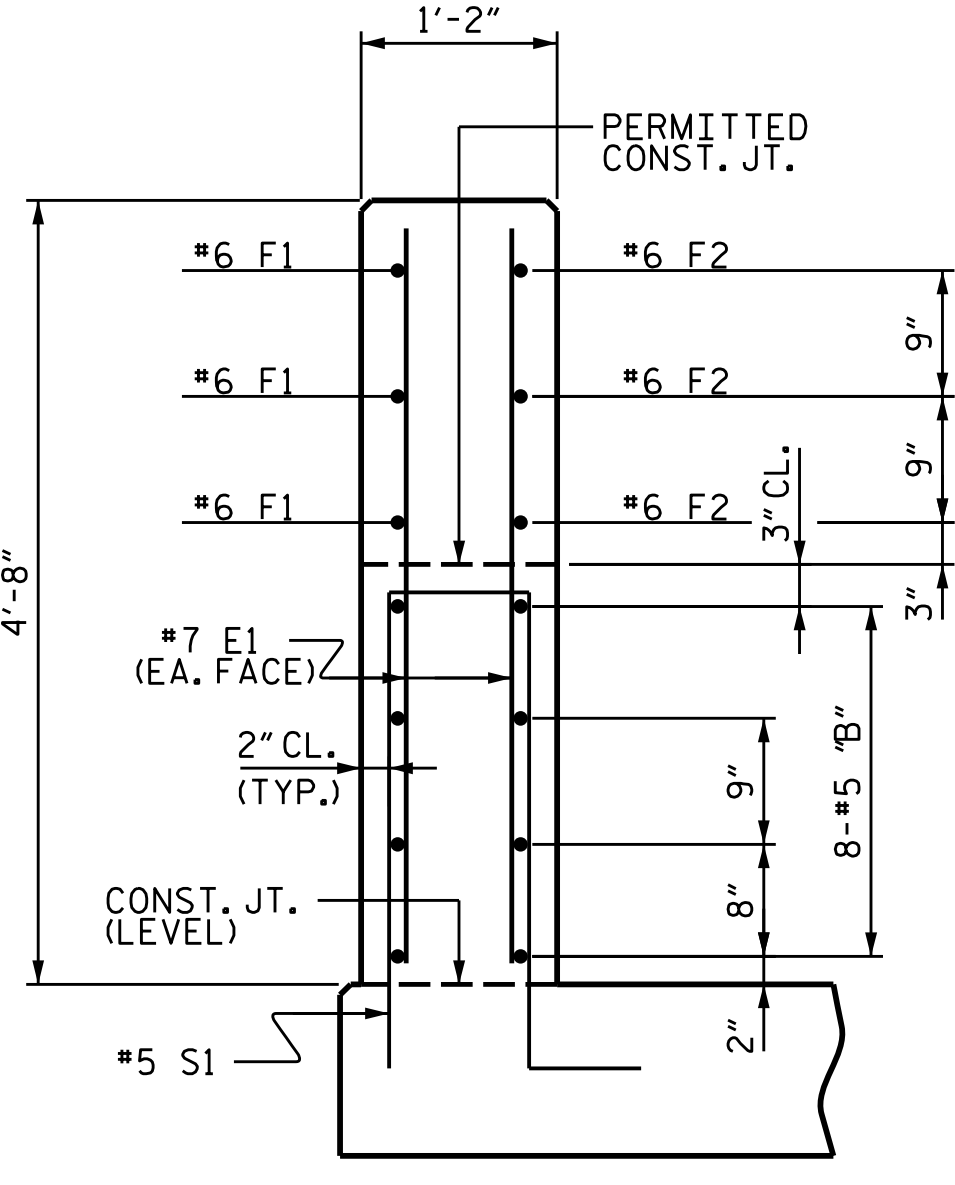
ELEVATION



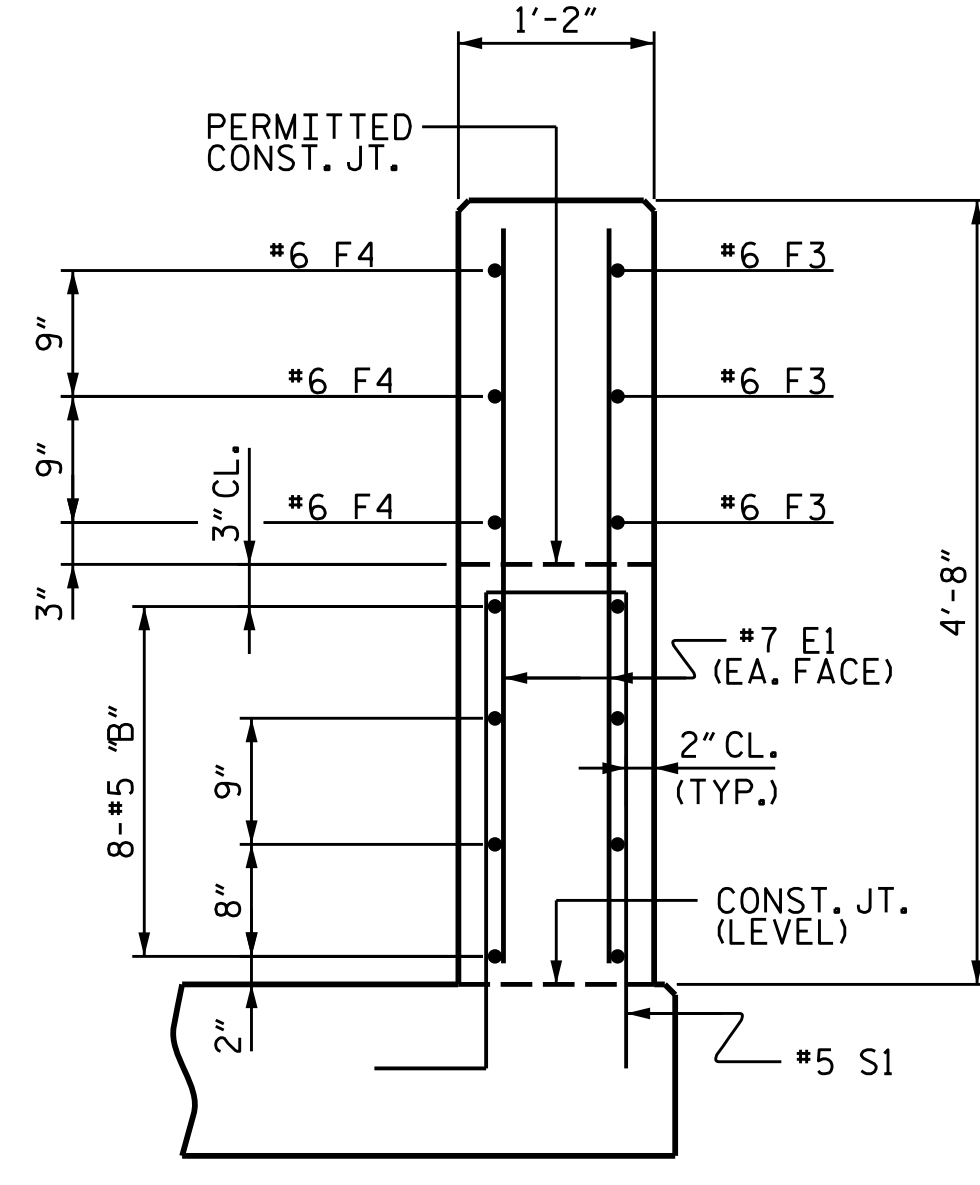
ELEVATION



SECTION A-A



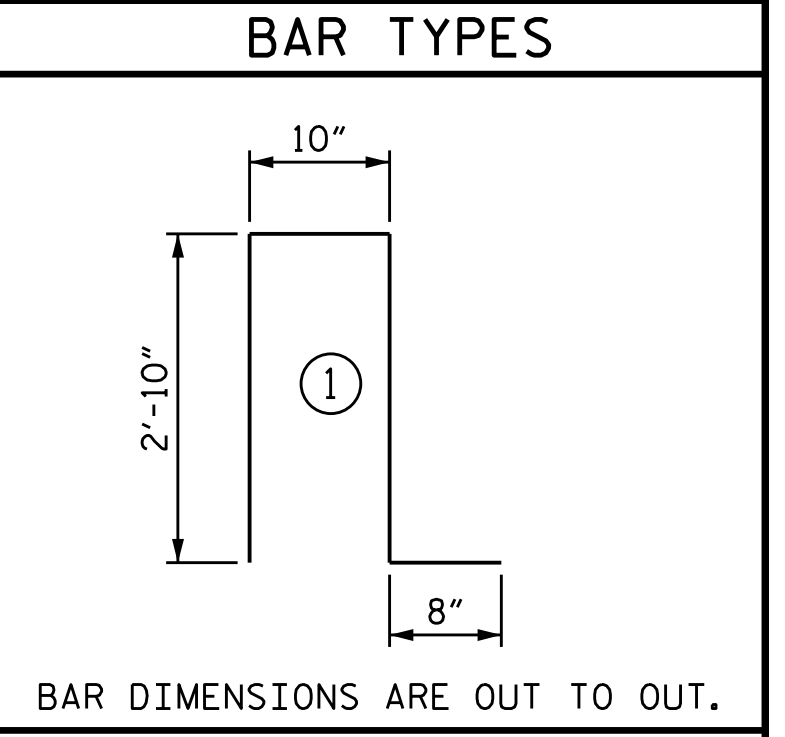
SECTION B-B



SECTION C-C

BILL OF MATERIAL FOR 1'-2" x 2'-6" PARAPET

BAR	NO.	SIZE	TYPE	LENGTH	WEIGHT
* B1	80	#5	STR.	24'-7"	2,051
* B2	32	#5	STR.	14'-2"	473
* B3	32	#5	STR.	12'-11"	431
* E1	44	#7	STR.	4'-4"	390
* F1	6	#6	STR.	3'-6"	32
* F2	6	#6	STR.	4'-1"	37
* F3	6	#6	STR.	4'-4"	39
* F4	6	#6	STR.	3'-7"	32
* S1	339	#5	1	7'-2"	2,534
* EPOXY COATED REINFORCING STEEL					6,019 LBS.
CLASS "AA" CONCRETE					40.2 C.Y.
1'-2" x 2'-6" CONCRETE PARAPET					359.30 L.F.



PROJECT NO. 17BP.14.R.204
JACKSON COUNTY
STATION: 24+58.00-L-
SHEET 2 OF 5

11/15/2023 | 7:42 AM EST

DOCUMENT NOT CONSIDERED FINAL UNLESS ALL SIGNATURES COMPLETED

TGS ENGINEERS
201 W. MARION ST STE 200
SHELBY, NC 28150
PH (704) 476-0003
CORP. LICENSE NO.: C-0275

STATE OF NORTH CAROLINA
DEPARTMENT OF TRANSPORTATION
RALEIGH

SUPERSTRUCTURE
1'-2" x 2'-6" CONCRETE PARAPET AND END POST DETAILS

REVISIONS						SHEET NO.
NO.	BY:	DATE:	NO.	BY:	DATE:	S-24
1			3			TOTAL SHEETS 47
2			4			

DRAWN BY : JLA DATE : 9/22
CHECKED BY : MGC DATE : 10/22