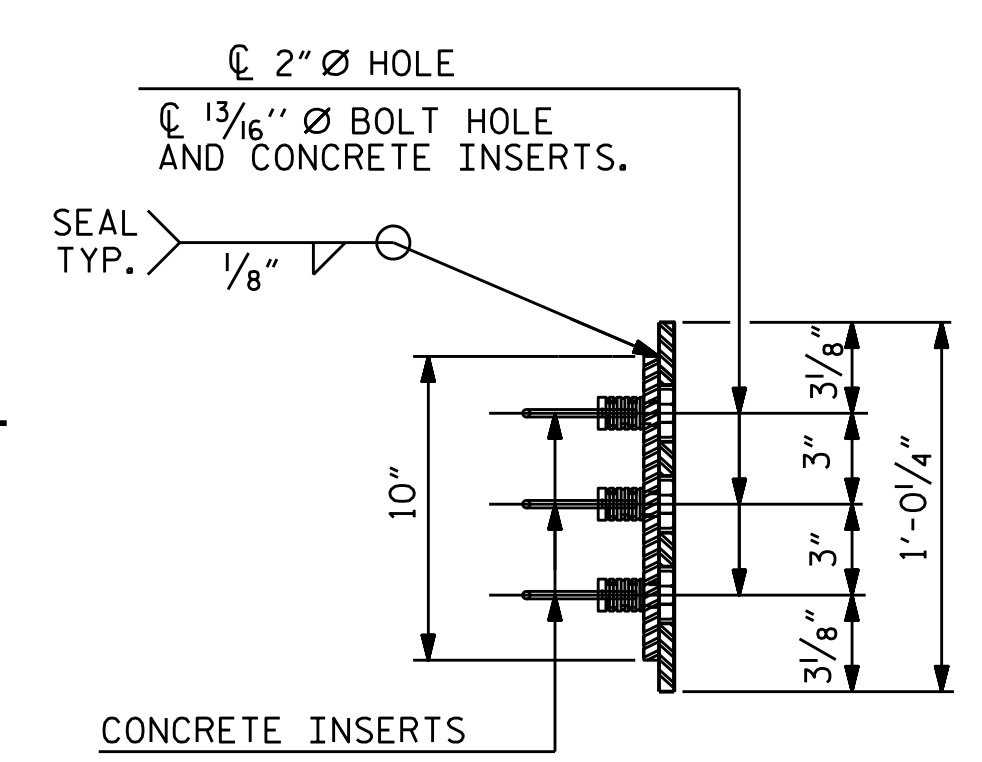
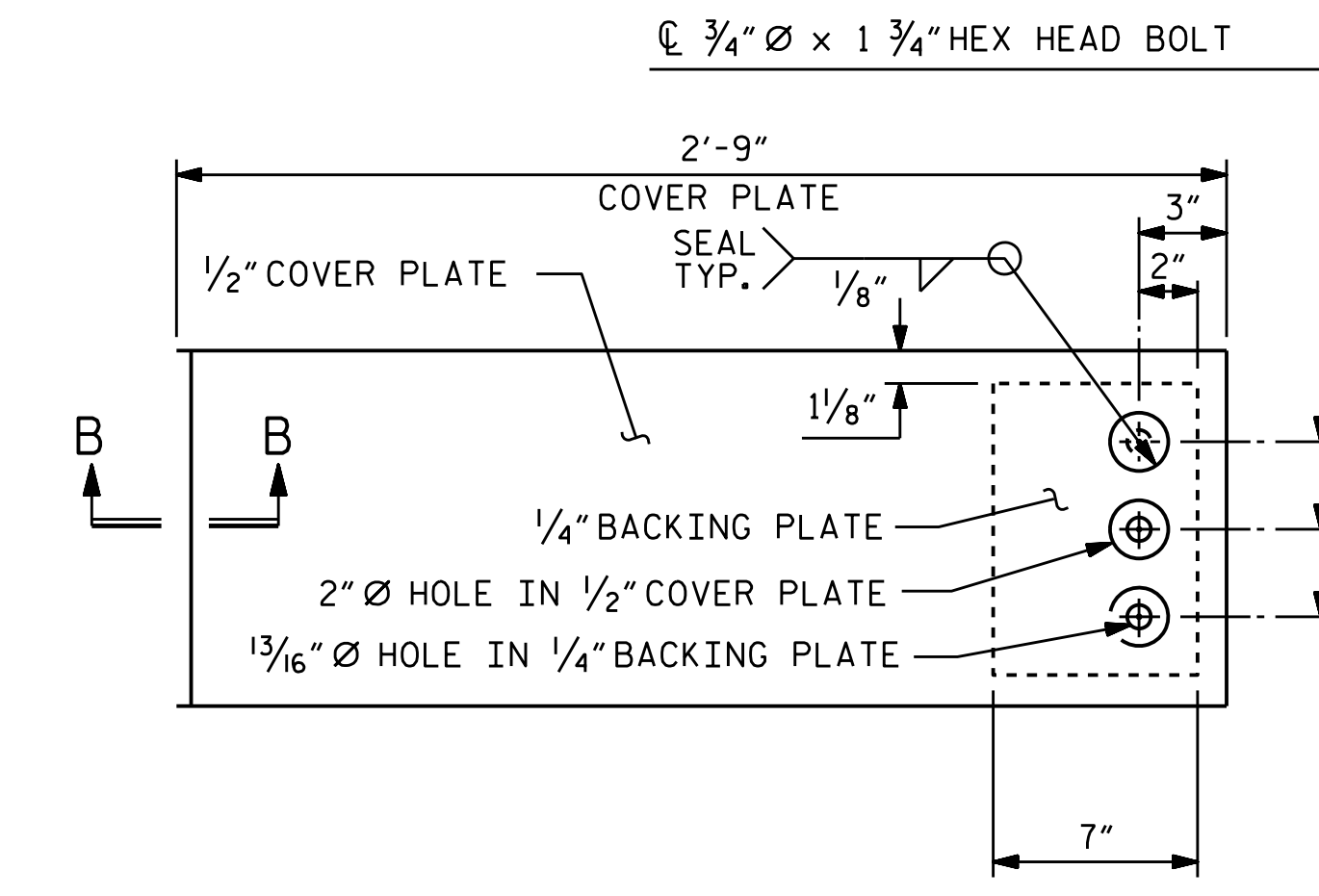


SECTION B - B

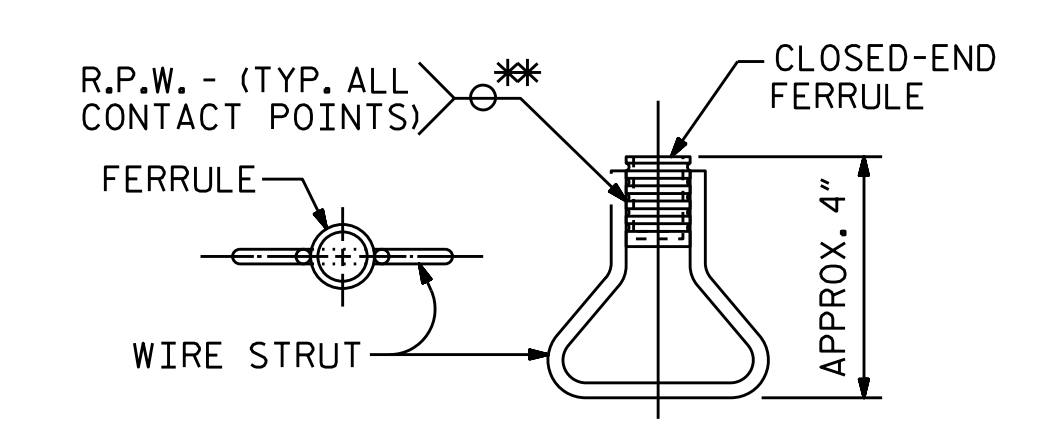


END VIEW



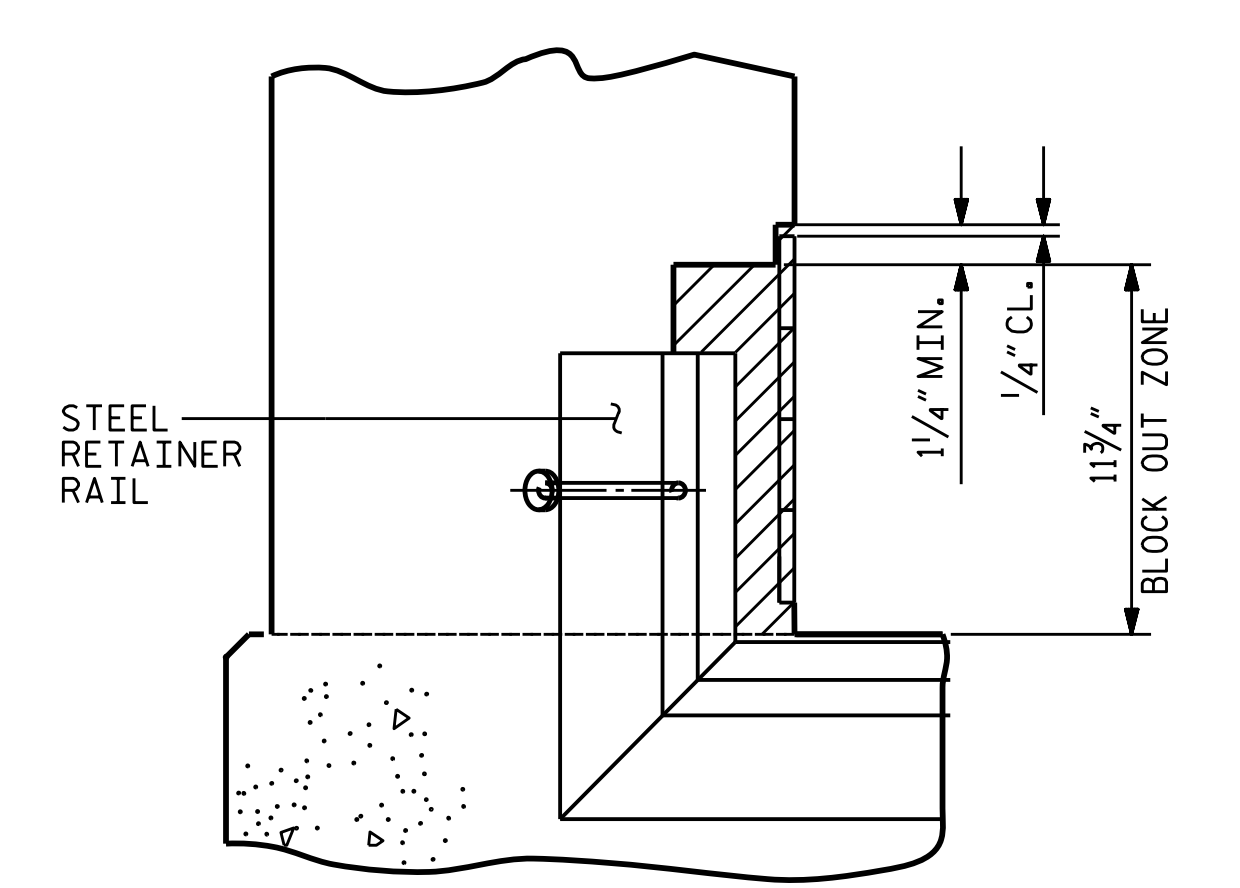
TYPE II - ELEVATION VIEW

COVER PLATE DETAILS



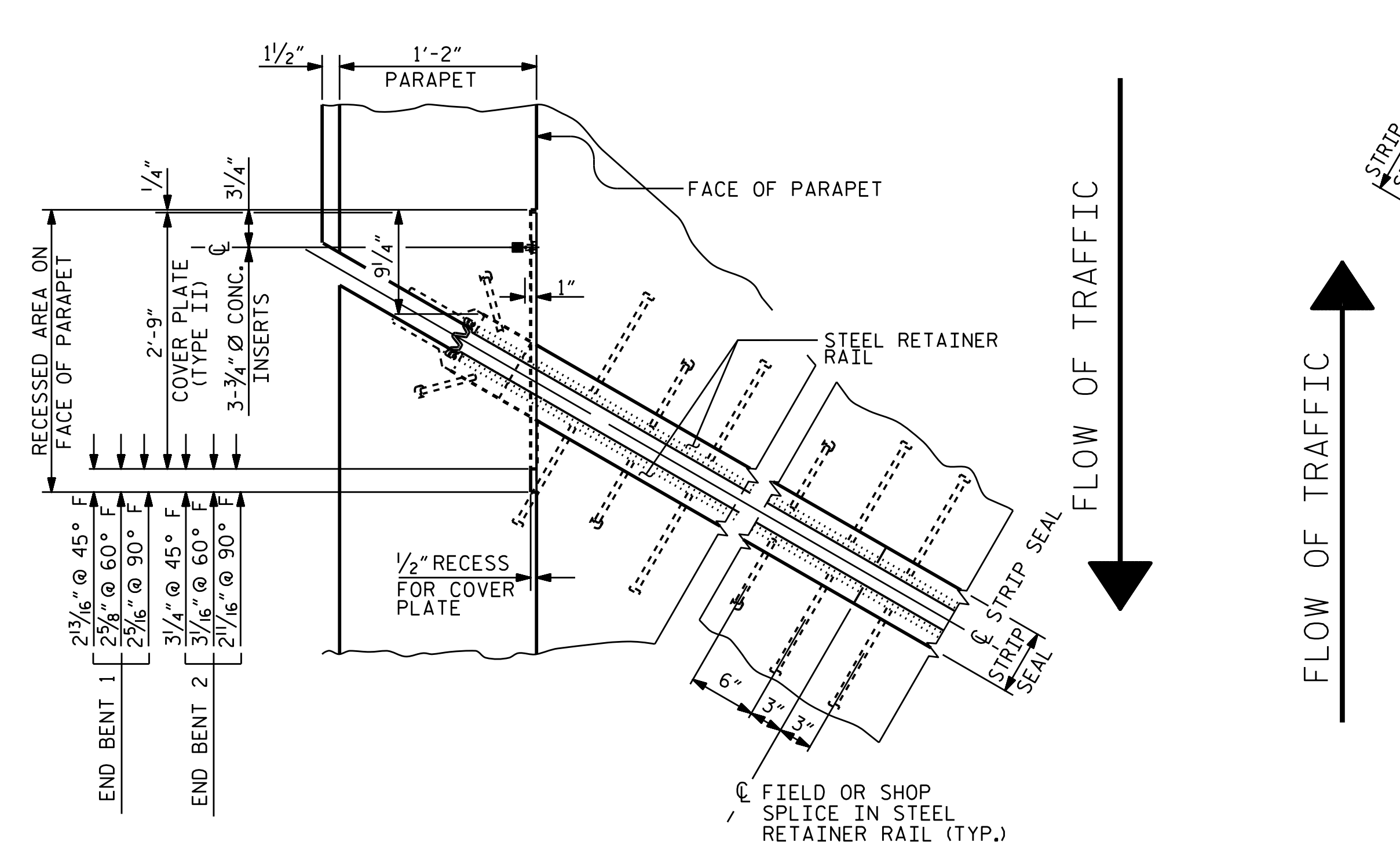
CONCRETE INSERT

* EACH WELDED ATTACHMENT OF WIRE TO FERRULE SHALL DEVELOP THE TENSILE STRENGTH OF THE WIRE.

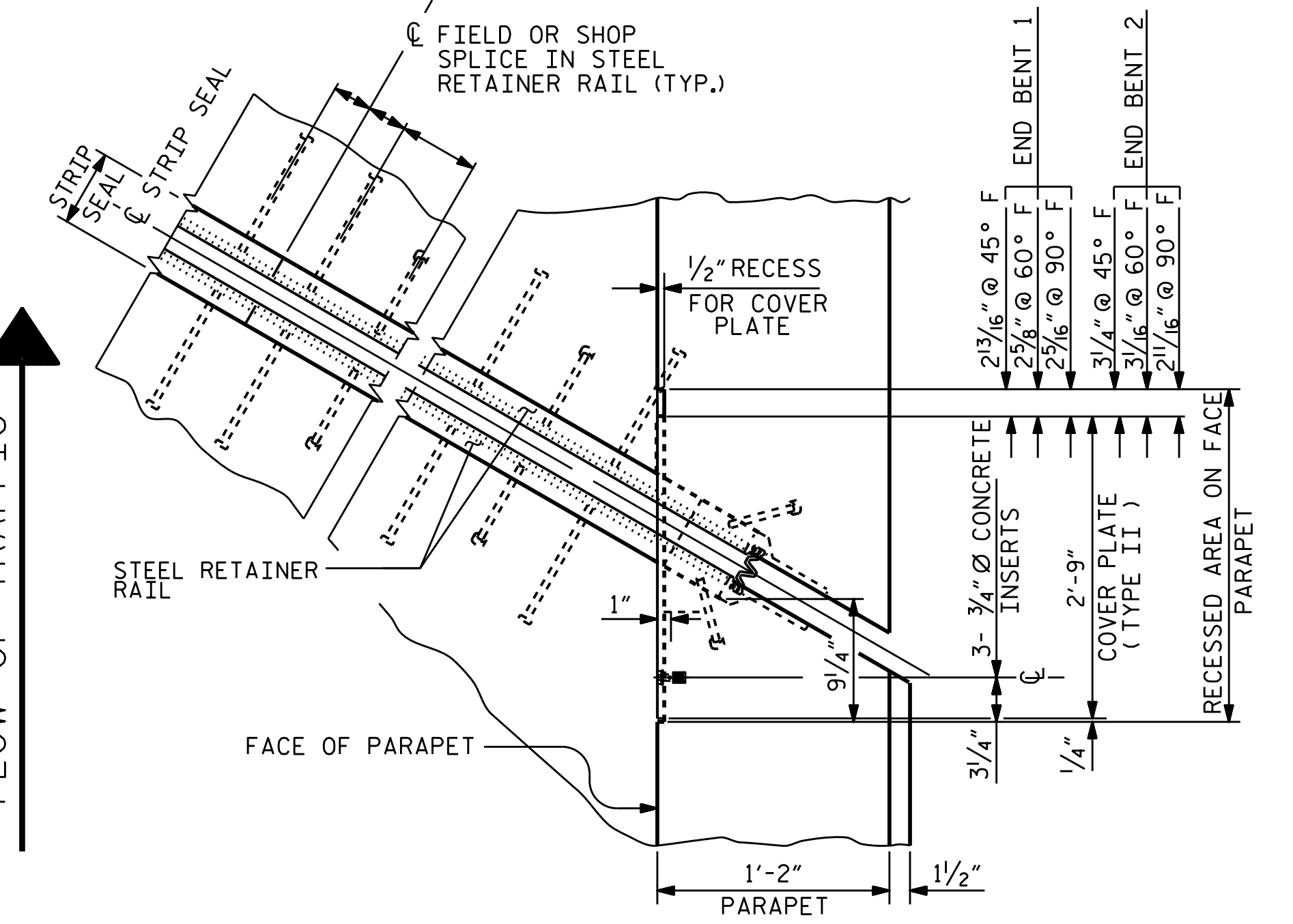


BLOCK OUT DETAIL

SECTION THRU RAIL NORMAL TO JOINT

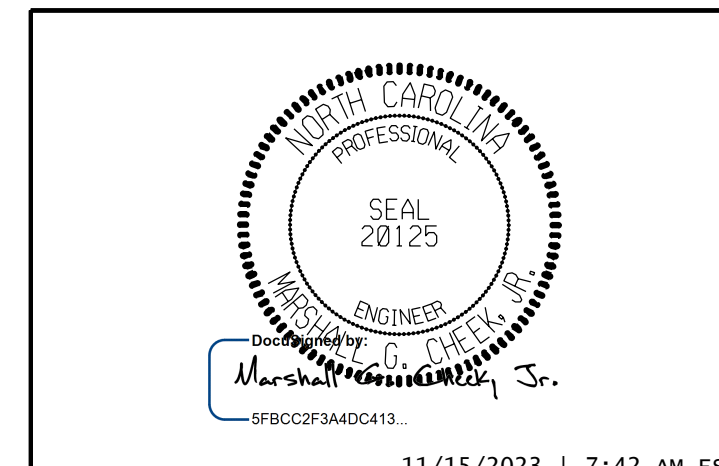


PLAN OF STRIP SEAL EXPANSION JOINT LEFT SIDE PARAPET



PLAN OF STRIP SEAL EXPANSION JOINT RIGHT SIDE PARAPET

PROJECT NO. 17BP.14.R.204
 JACKSON COUNTY
 STATION: 24+58.00-L-
 SHEET 2 OF 2



STATE OF NORTH CAROLINA
 DEPARTMENT OF TRANSPORTATION
 RALEIGH
 SUPERSTRUCTURE
 STRIP SEAL DETAILS
 FOR
 1'-2" x 2'-6" PARAPET

ASSEMBLED BY : NMW
 CHECKED BY : MGC
 DATE : 9/22
 DATE : 9/22

REVISIONS						SHEET NO.
NO.	BY	DATE	NO.	BY	DATE	S-22
1			3			TOTAL SHEETS 47
2			4			

DOCUMENT NOT CONSIDERED FINAL
 UNLESS ALL SIGNATURES COMPLETED

TGS ENGINEERS
 201 W. MARION ST STE 200
 SHELBY, NC 28150
 PH (704) 476-0003
 CORP. LICENSE NO.: C-0275