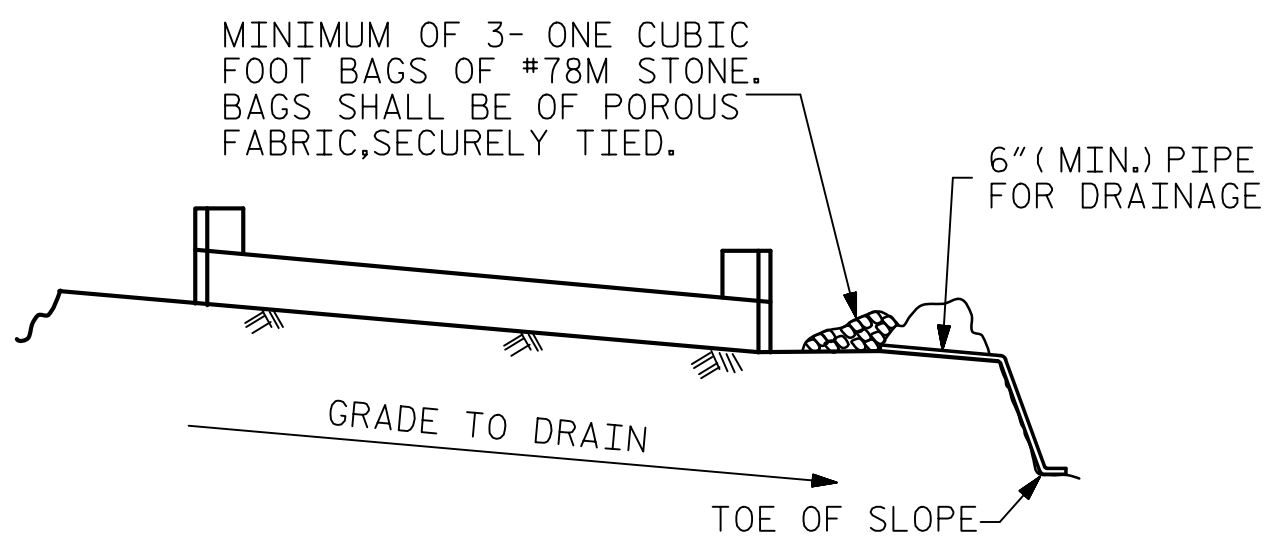


SECTION "A-A"

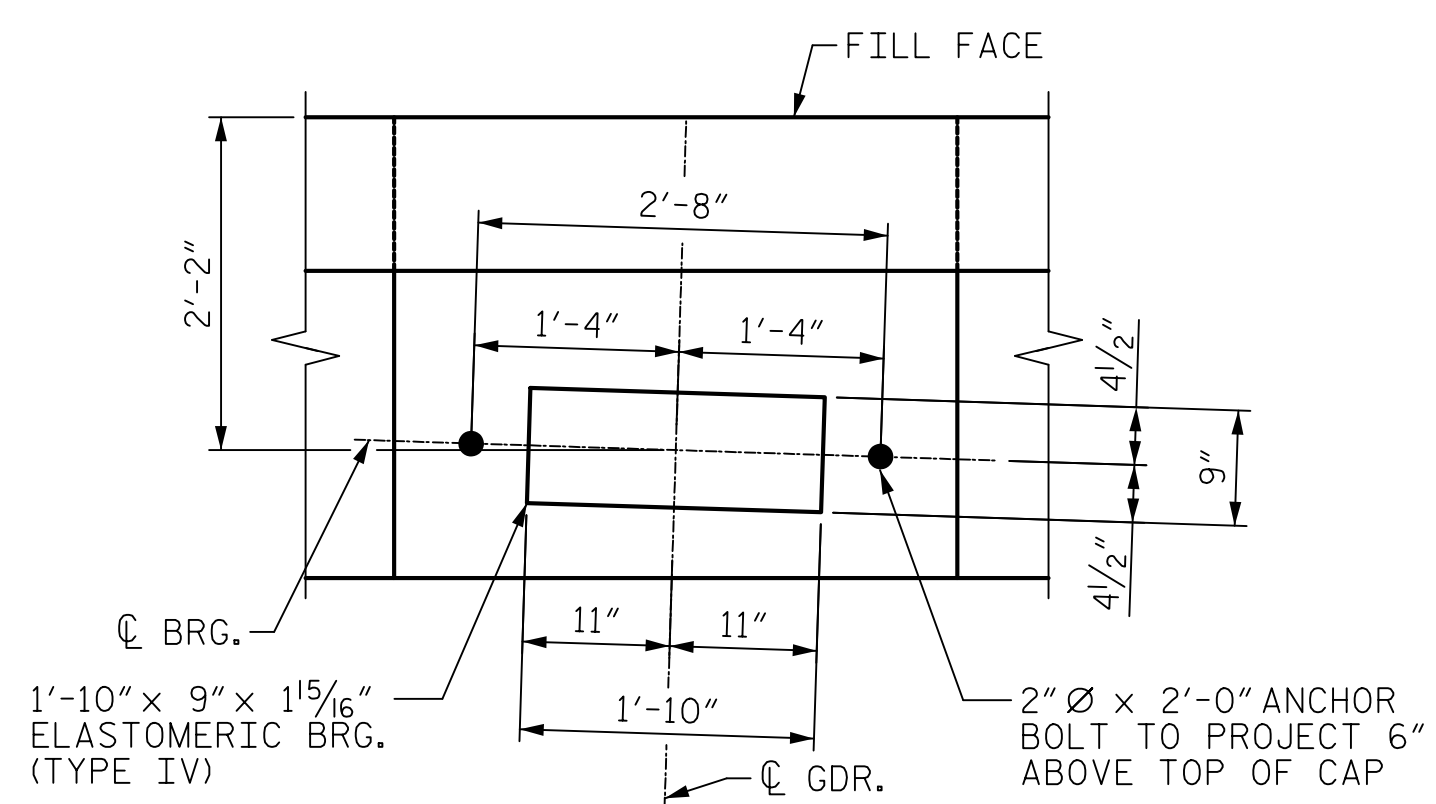


BAGGED STONE AND PIPE SHALL BE PLACED IMMEDIATELY AFTER COMPLETION OF END BENT EXCAVATION. PIPE MAY BE EITHER CONCRETE, CORRUGATED STEEL, CORRUGATED ALUMINUM ALLOY, OR CORRUGATED PLASTIC. PERFORATED PIPE WILL NOT BE ALLOWED.

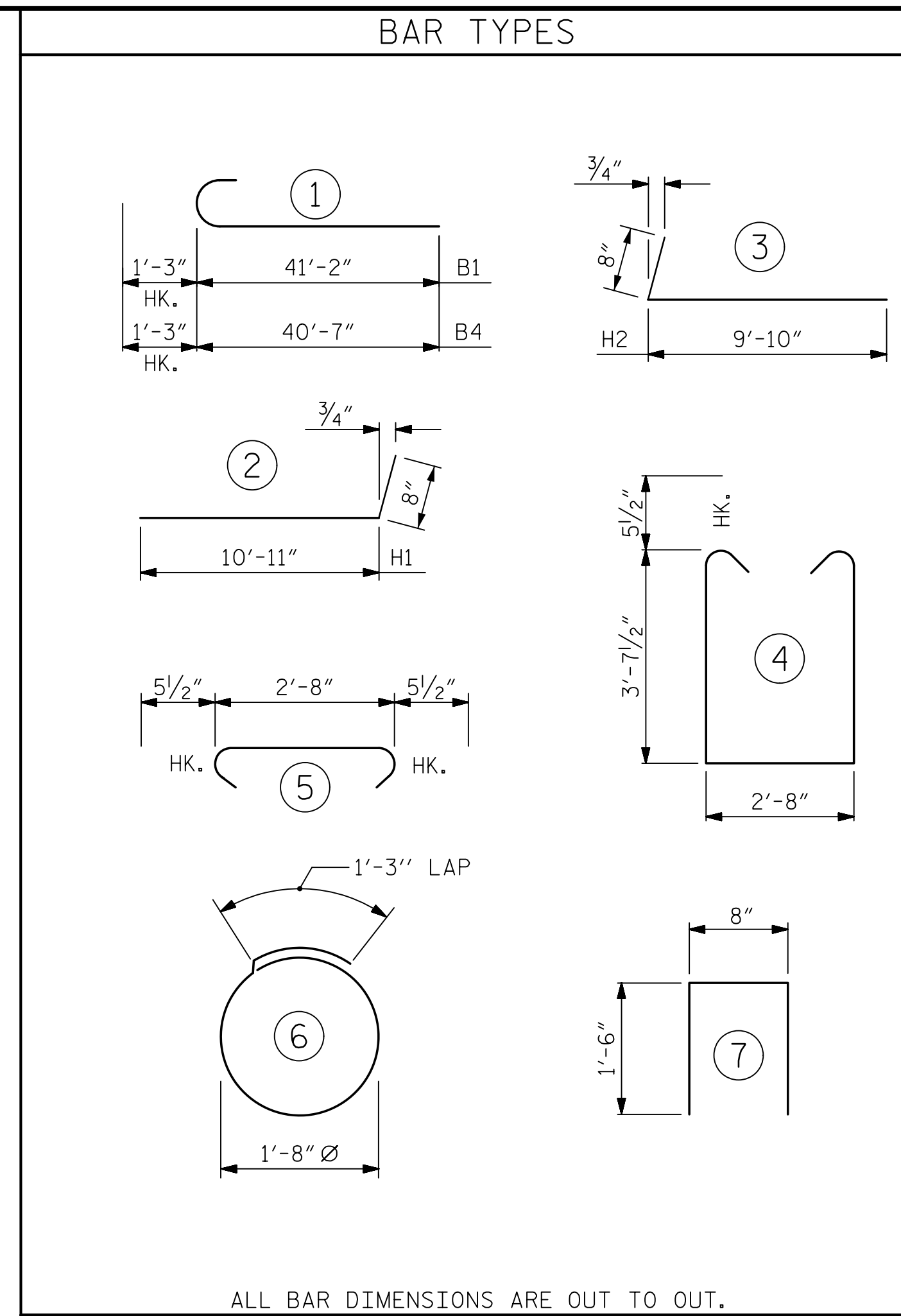
BAGGED STONE SHALL REMAIN IN PLACE UNTIL THE ENGINEER DIRECTS THAT IT BE REMOVED. THE CONTRACTOR SHALL REMOVE AND DISPOSE OF SILT ACCUMULATIONS AT BAGGED STONE WHEN SO DIRECTED BY THE ENGINEER. BAGS SHALL BE REMOVED AND REPLACED WHENEVER THE ENGINEER DETERMINES THAT THEY HAVE DETERIORATED AND LOST THEIR EFFECTIVENESS.

NO SEPARATE PAYMENT WILL BE MADE FOR THIS WORK AND THE ENTIRE COST OF THIS WORK SHALL BE INCLUDED IN THE UNIT CONTRACT PRICE BID FOR THE SEVERAL PAY ITEMS.

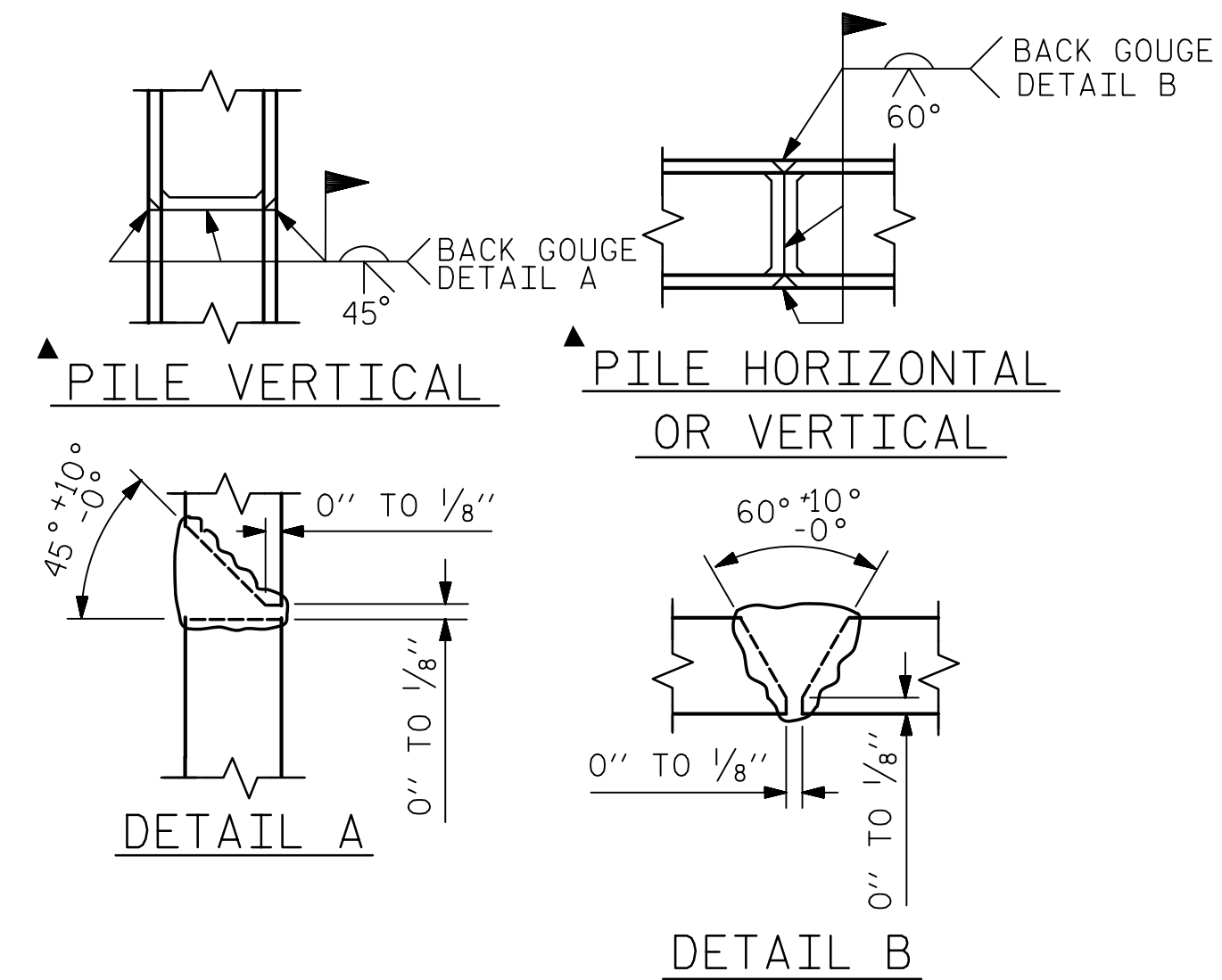
TEMPORARY DRAINAGE AT END BENT



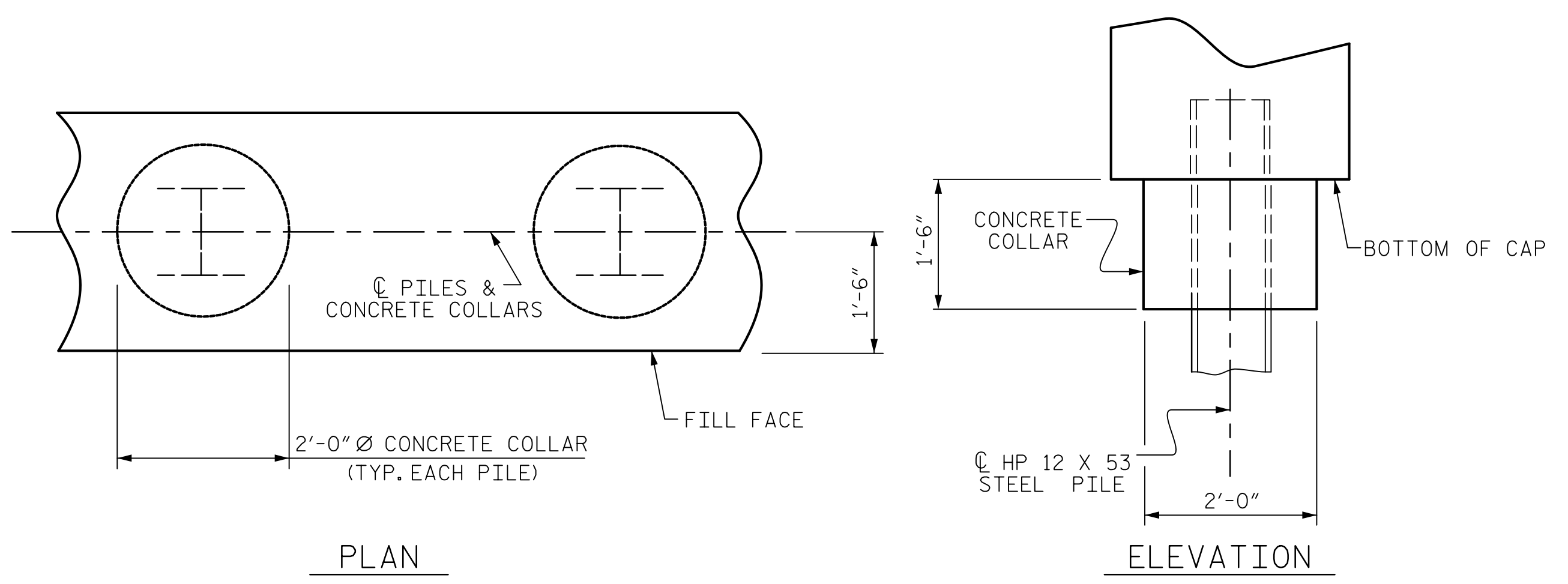
DETAIL "A"
(TYPICAL AT EACH BEARING)



BILL OF MATERIAL					
END BENT #2					
BAR NO.	NO.	SIZE	TYPE	LENGTH	WEIGHT
B1	8	#9		42'-5"	1154
B2	12	#5	STR	40'-0"	501
B3	8	#4	STR	39'-9"	212
B4	8	#9		41'-10"	1138
B5	20	#4	STR	2'-8"	36
H1	40	#5	2	11'-7"	483
H2	30	#5	3	10'-6"	329
K1	8	#4	STR	2'-7"	14
K2	20	#4	STR	39'-9"	531
S1	142	#5	4	10'-10"	1604
S2	142	#5	5	3'-7"	531
S3	52	#4	6	6'-6"	226
U1	72	#4	7	3'-8"	176
V1	144	#5	STR	8'-2"	1227
V2	32	#5	STR	9'-7"	320
V3	30	#5	STR	9'-9"	305
REINFORCING STEEL					8787 LBS.
CLASS A CONCRETE BREAKDOWN					
POUR #1 CAP & LOWER PART OF WINGS & COLLARS					40.3 C.Y.
POUR #2 BACKWALL & UPPER PART OF WINGS					17.6 C.Y.
TOTAL CLASS A CONCRETE					57.9 C.Y.

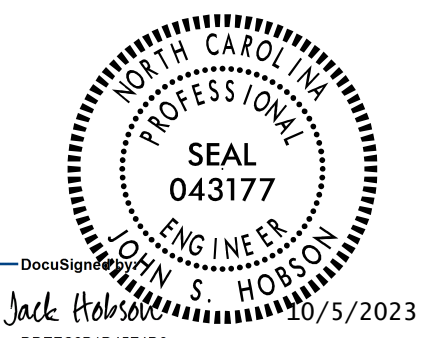


PILE SPLICE DETAILS



CORROSION PROTECTION FOR STEEL PILES DETAIL

Mead & Hunt
 111 E. Hargett Street
 Suite 300
 Raleigh, NC 27601
 919-714-8670
 meadhunt.com
 NC License No. F-1235



PROJECT NO. U-5808
UNION COUNTY
 STATION: 55+00.96 -L2-
 SHEET 4 OF 4

STATE OF NORTH CAROLINA
 DEPARTMENT OF TRANSPORTATION
 RALEIGH
 SUBSTRUCTURE
 END BENT 2
 DETAILS

DRAWN BY: C.C. CAMPBELL DATE: 05/10/23
 CHECKED BY: J.S. HOBSON DATE: 06/21/23
 DESIGN ENGINEER OF RECORD: J.S. HOBSON DATE: 08/30/23

DOCUMENT NOT CONSIDERED
 FINAL UNLESS ALL
 SIGNATURES COMPLETED

REVISIONS						SHEET NO.
NO.	BY:	DATE:	NO.	BY:	DATE:	S-51
1			3			TOTAL SHEETS
2			4			56