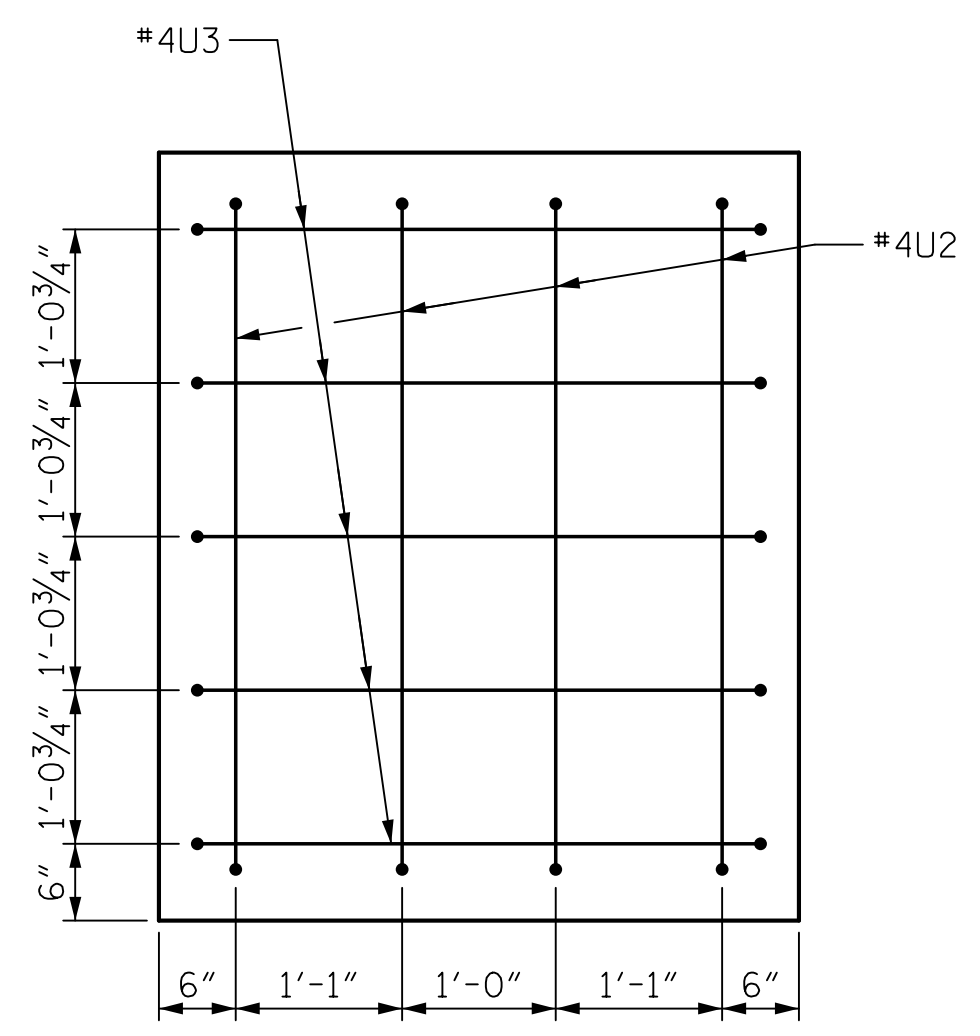
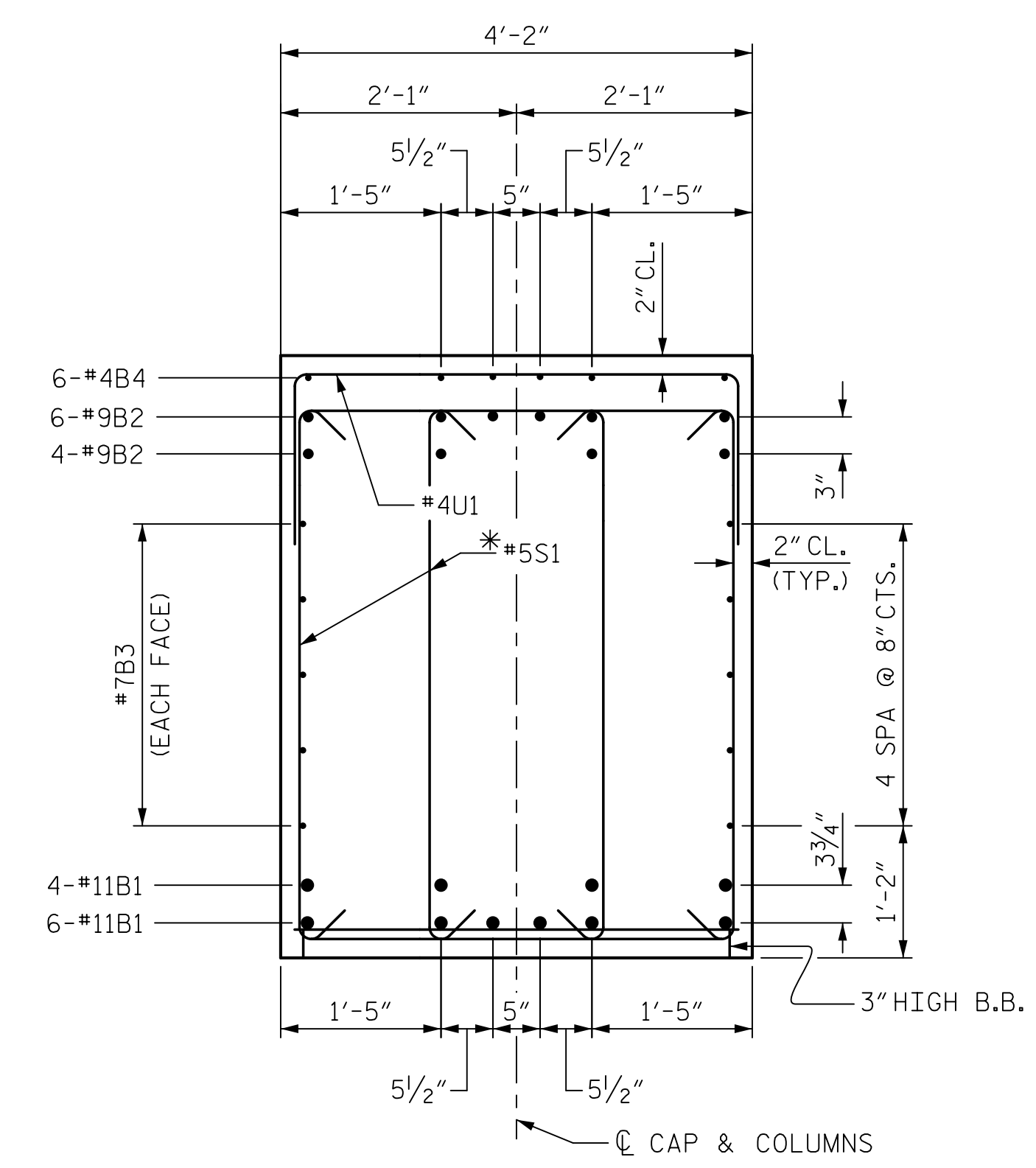


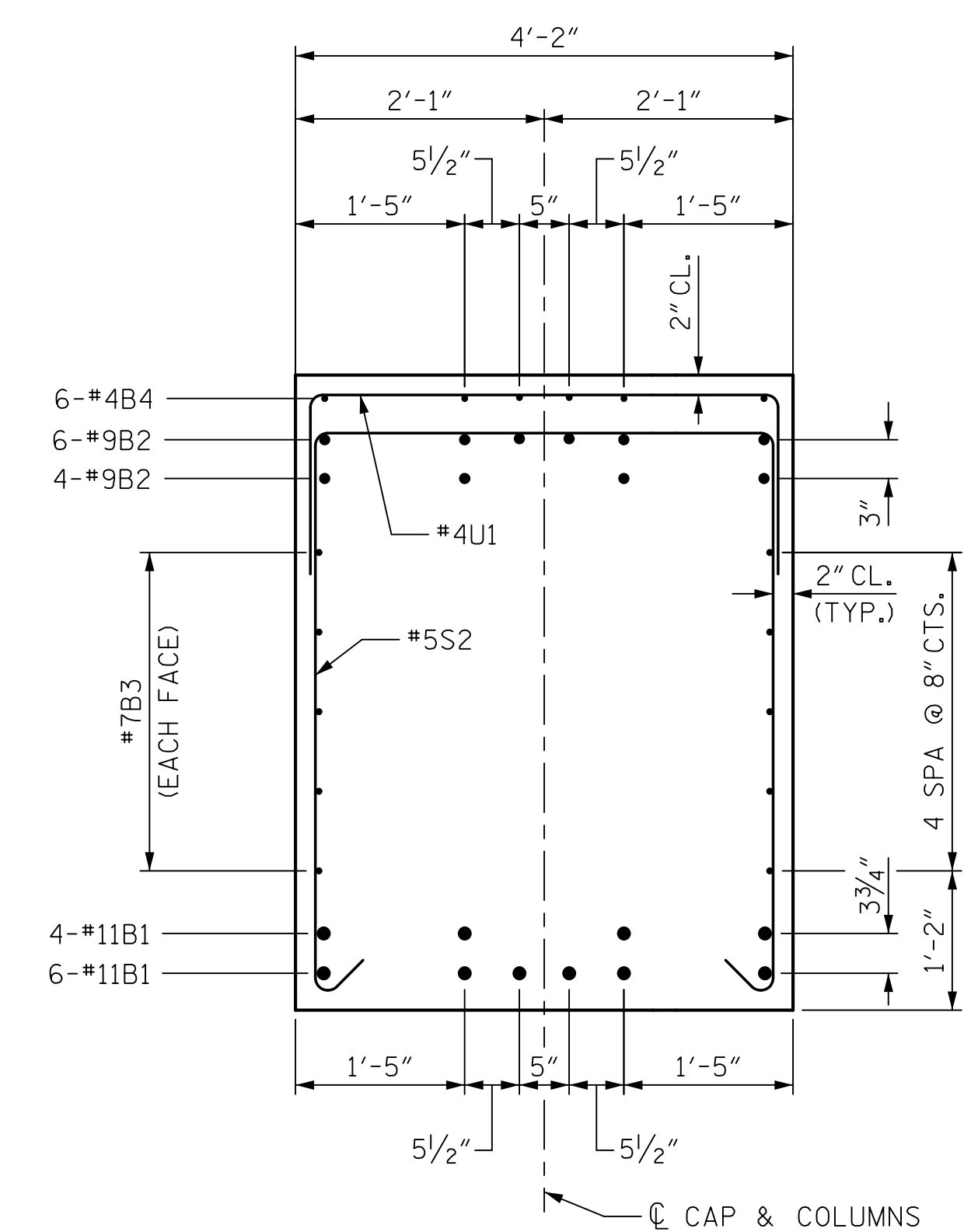
PLAN OF DRILLED PIERS & COLUMNS
 (DIMENSIONS AND REINFORCING STEEL ARE TYPICAL FOR EACH COLUMN AND DRILLED PIER)



END VIEW
 (TYPICAL BOTH ENDS)

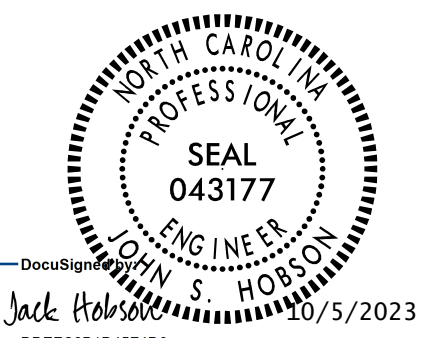


SECTION A-A
 * INVERT ALTERNATIVE STIRRUPS



SECTION B-B

Mead & Hunt
 111 E. Hargett Street
 Suite 300
 Raleigh, NC 27601
 919-714-8670
 meadhunt.com
 NC License No. F-1235



PROJECT NO. U-5808
UNION COUNTY
 STATION: 55+00.96 -L2-
 SHEET 2 OF 3

STATE OF NORTH CAROLINA
 DEPARTMENT OF TRANSPORTATION
 RALEIGH
 SUBSTRUCTURE

BENT 2

DRAWN BY : C.C. CAMPBELL DATE : 06/15/23
 CHECKED BY : J.S. HOBSON DATE : 06/20/23
 DESIGN ENGINEER OF RECORD : J.S. HOBSON DATE : 08/30/23

DOCUMENT NOT CONSIDERED
 FINAL UNLESS ALL
 SIGNATURES COMPLETED

REVISIONS						SHEET NO.
NO.	BY:	DATE:	NO.	BY:	DATE:	S-46
1			3			TOTAL SHEETS
2			4			56