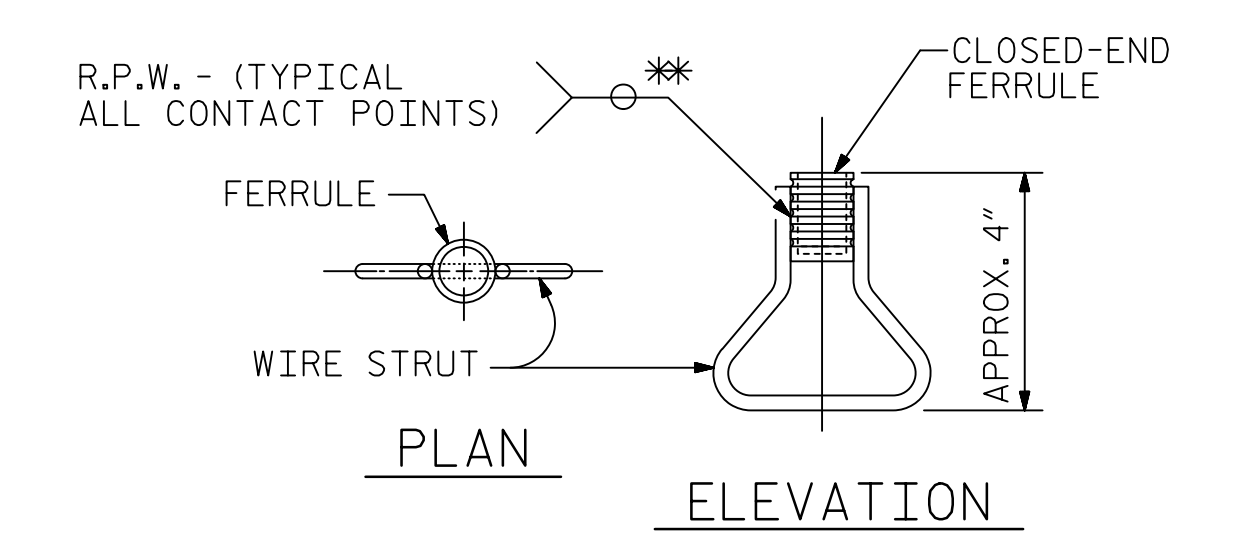
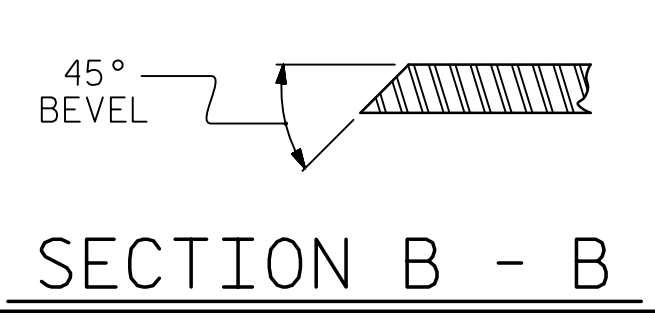
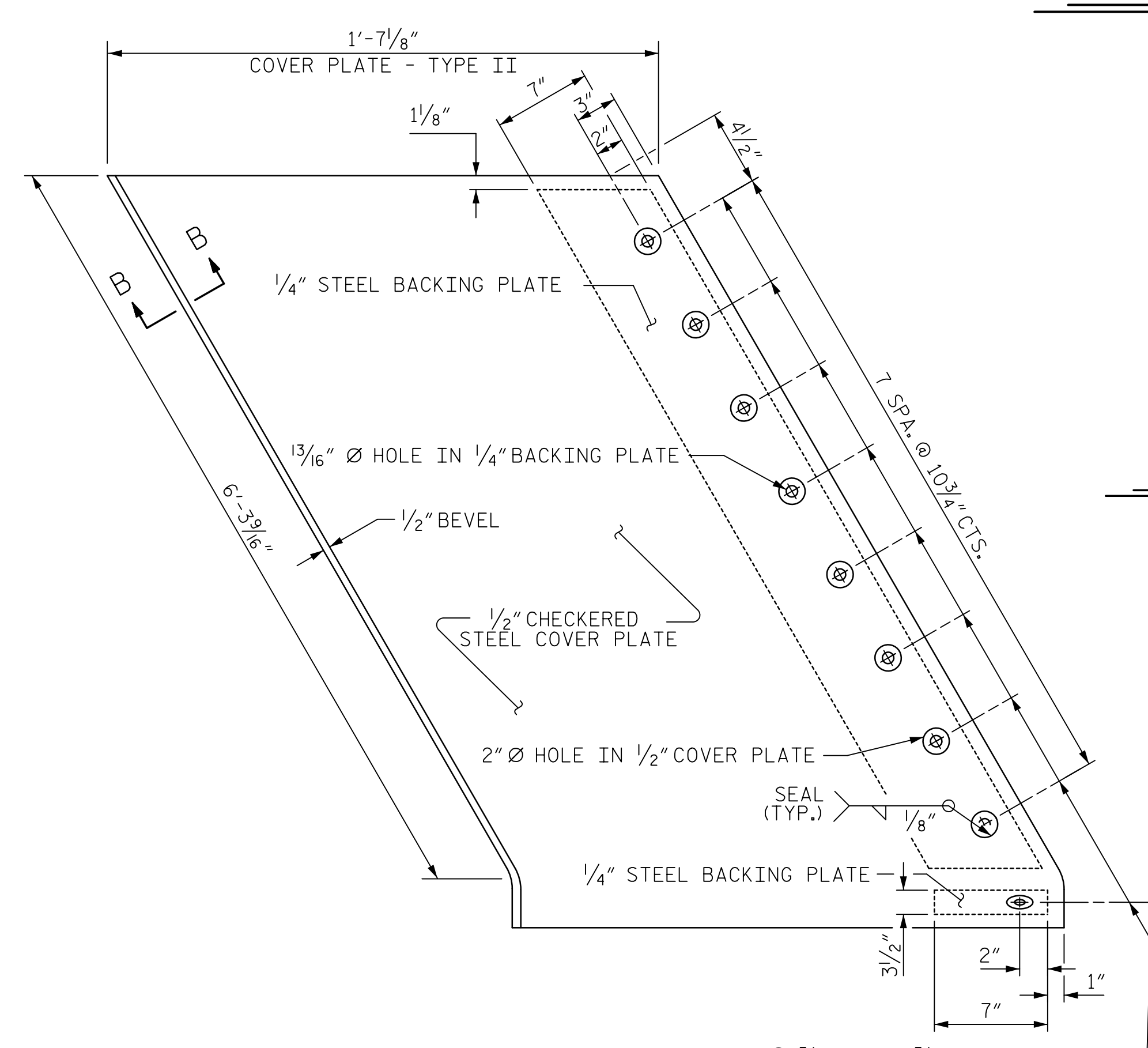
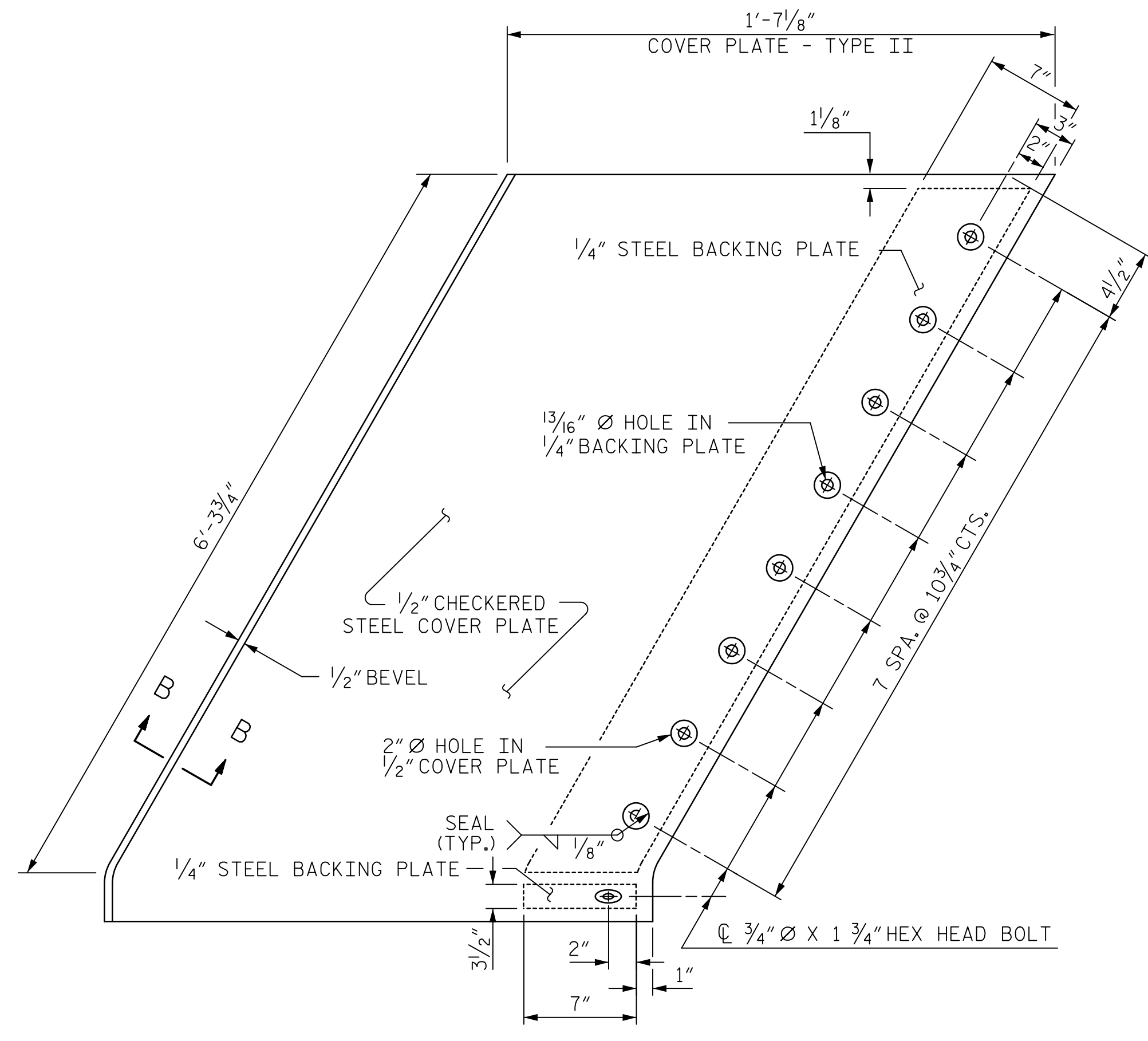


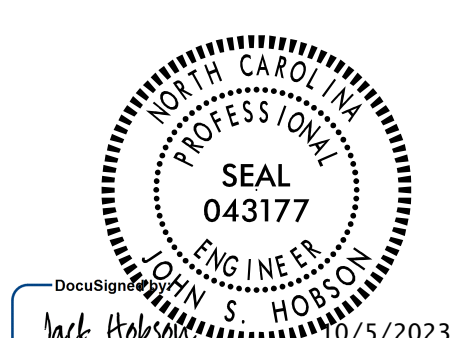
* CONCRETE RECESS DIMENSIONS:
 1 3/16" FOR THE SIDE OF THE JOINT HAVING THE 1/2" COVER PLATE WITH A 1/4" BACKING PLATE.
 9/16" FOR THE SIDE OF THE JOINT HAVING ONLY THE 1/2" COVER PLATE.



* EACH WELDED ATTACHMENT OF WIRE TO FERRULE SHALL DEVELOP THE TENSILE STRENGTH OF THE WIRE.

PROJECT NO. U-5808
 UNION COUNTY
 STATION: 55+00.96 -L2-
 SHEET 4 OF 4

Mead & Hunt
 111 E. Hargett Street
 Suite 300
 Raleigh, NC 27601
 919-714-8670
 meadhunt.com
 NC License No. F-1235



DOCUMENT NOT CONSIDERED FINAL UNLESS ALL SIGNATURES COMPLETED

STATE OF NORTH CAROLINA
 DEPARTMENT OF TRANSPORTATION
 RALEIGH
 STANDARD
 STRIP SEAL EXPANSION JOINT DETAILS FOR SIDEWALK

REVISIONS						SHEET NO.	
NO.	BY:	DATE:	NO.	BY:	DATE:	S-35	
1			3			TOTAL SHEETS	
2			4			56	

ASSEMBLED BY :	J.S. HOBSON	DATE :	06/05/23
CHECKED BY :	J.A. BOYER	DATE :	06/29/23
DESIGN E.O.R. :	J.S. HOBSON	DATE :	08/30/23
DRAWN BY :	MAA 6/20		
CHECKED BY :	BNB 6/20		