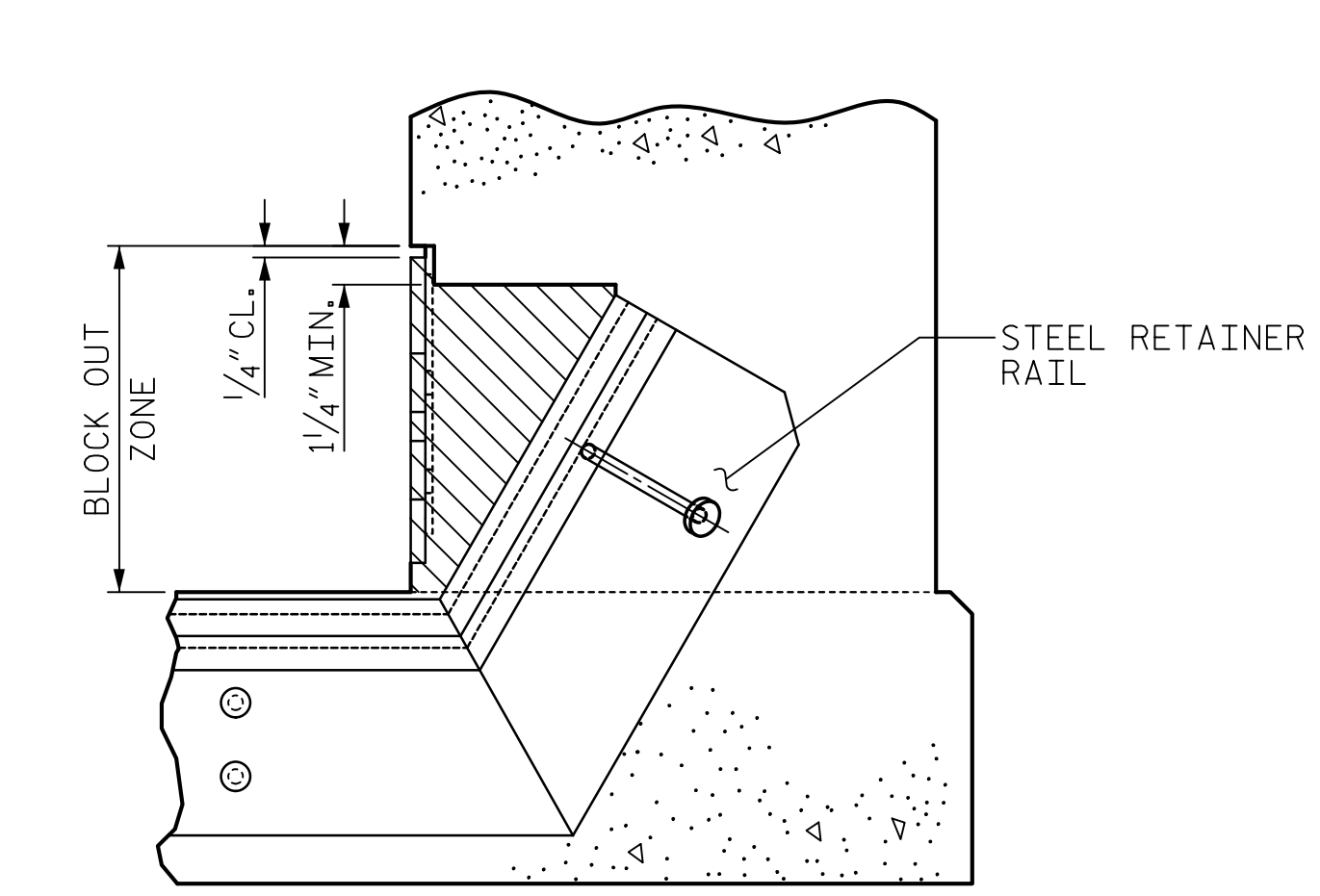
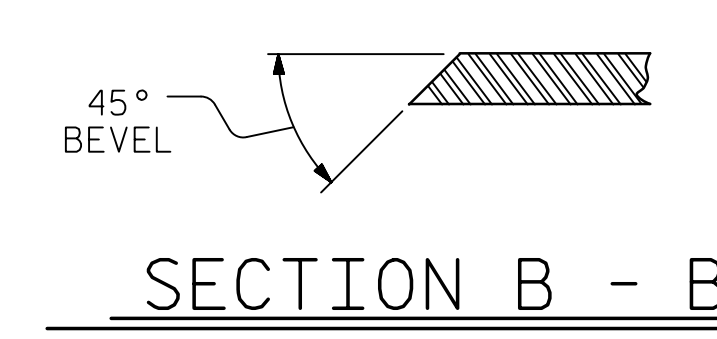


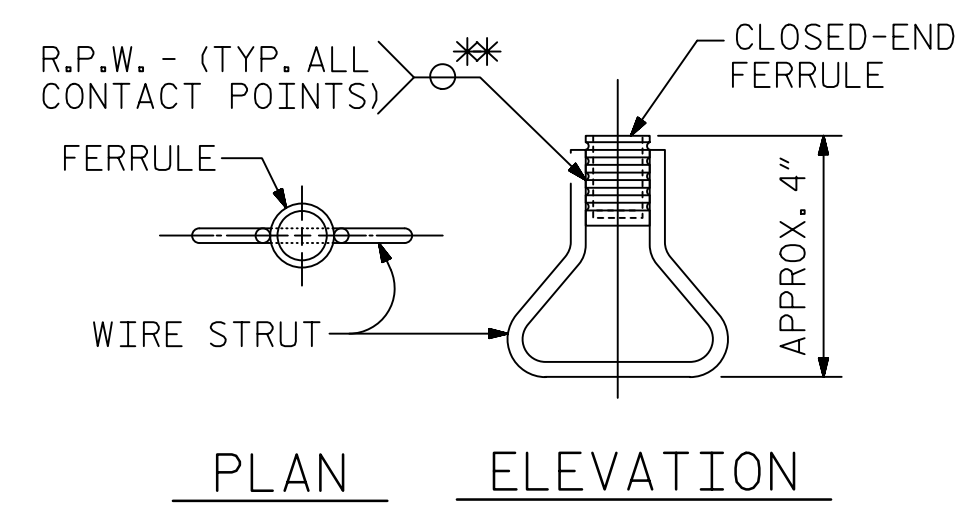
COVER PLATE DETAILS



BLOCK OUT DETAIL

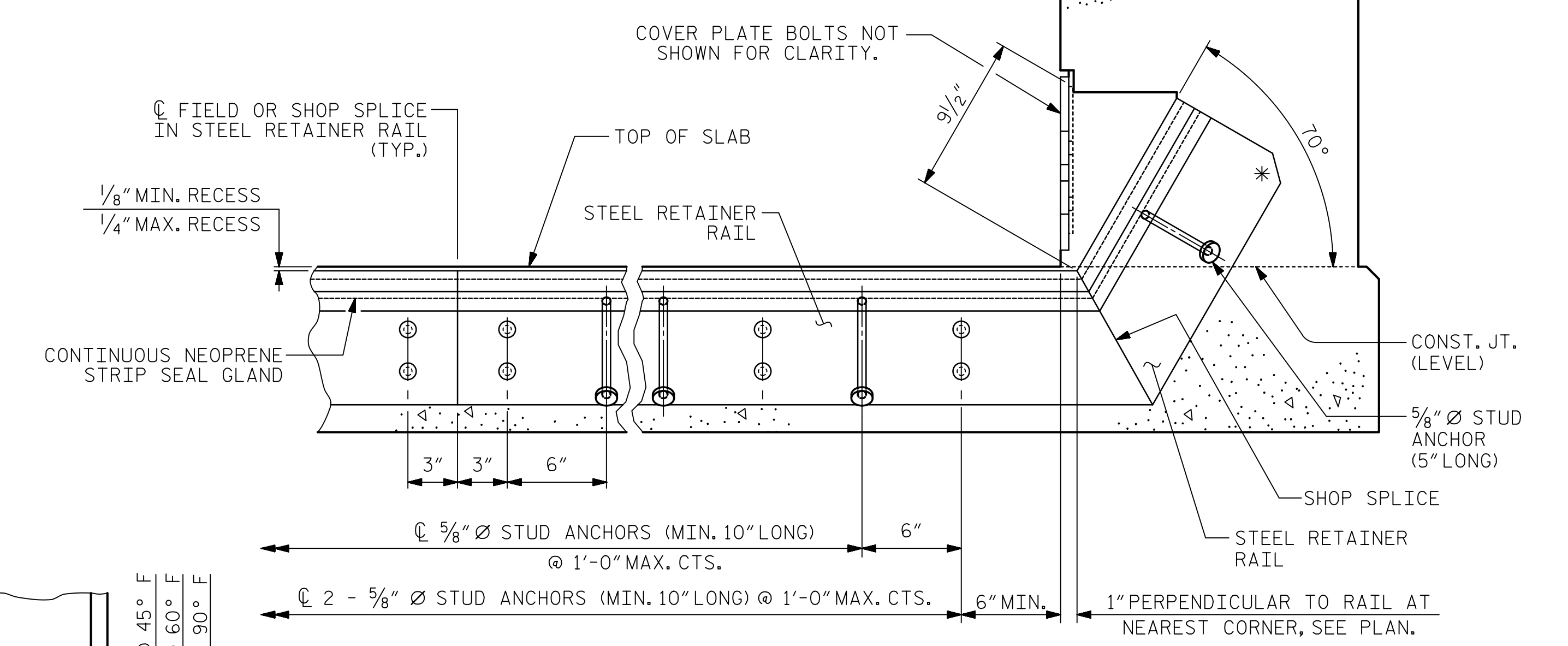


SECTION B - B



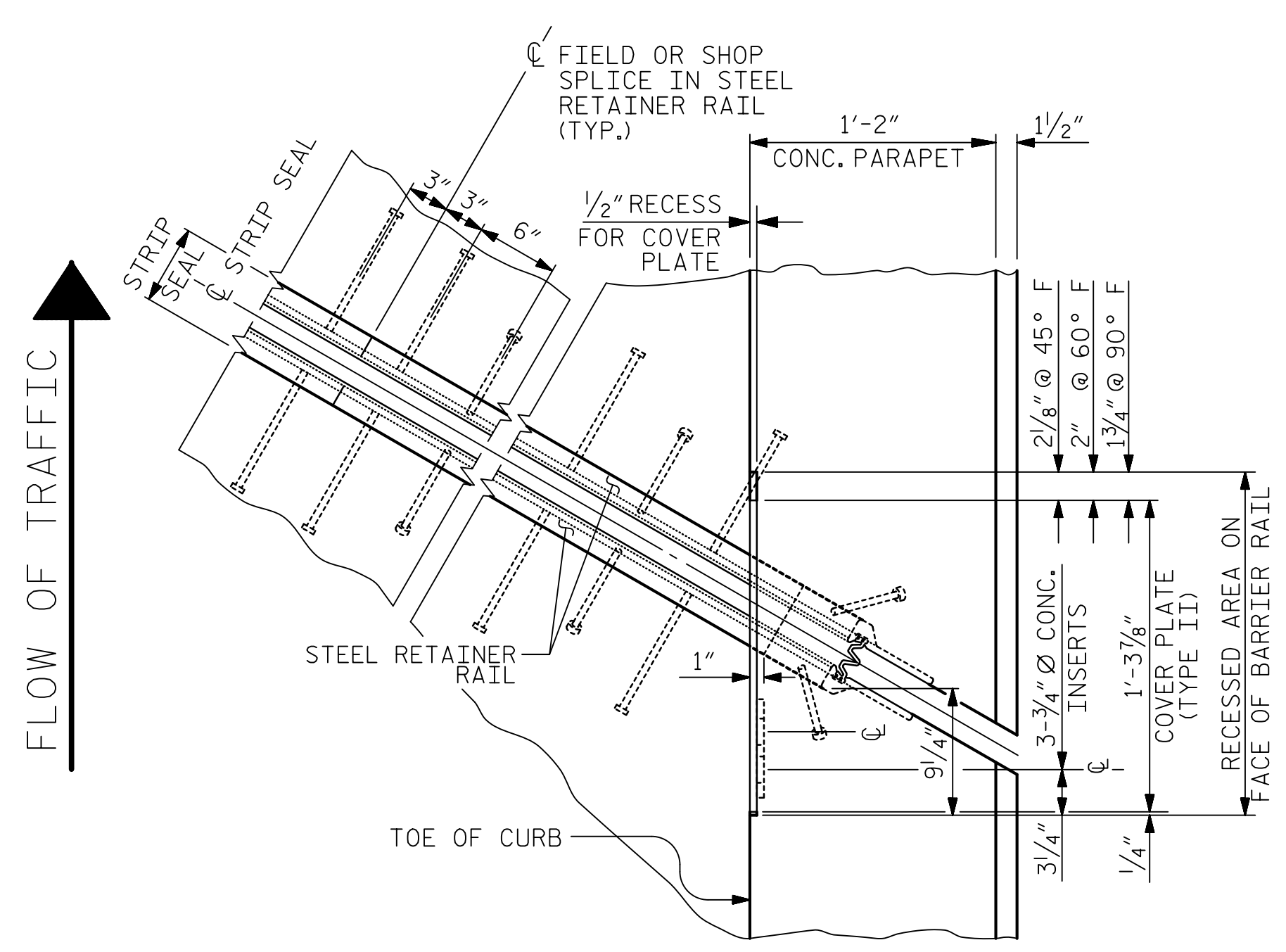
CONCRETE INSERT

* EACH WELDED ATTACHMENT OF WIRE TO FERRULE SHALL DEVELOP THE TENSILE STRENGTH OF THE WIRE.

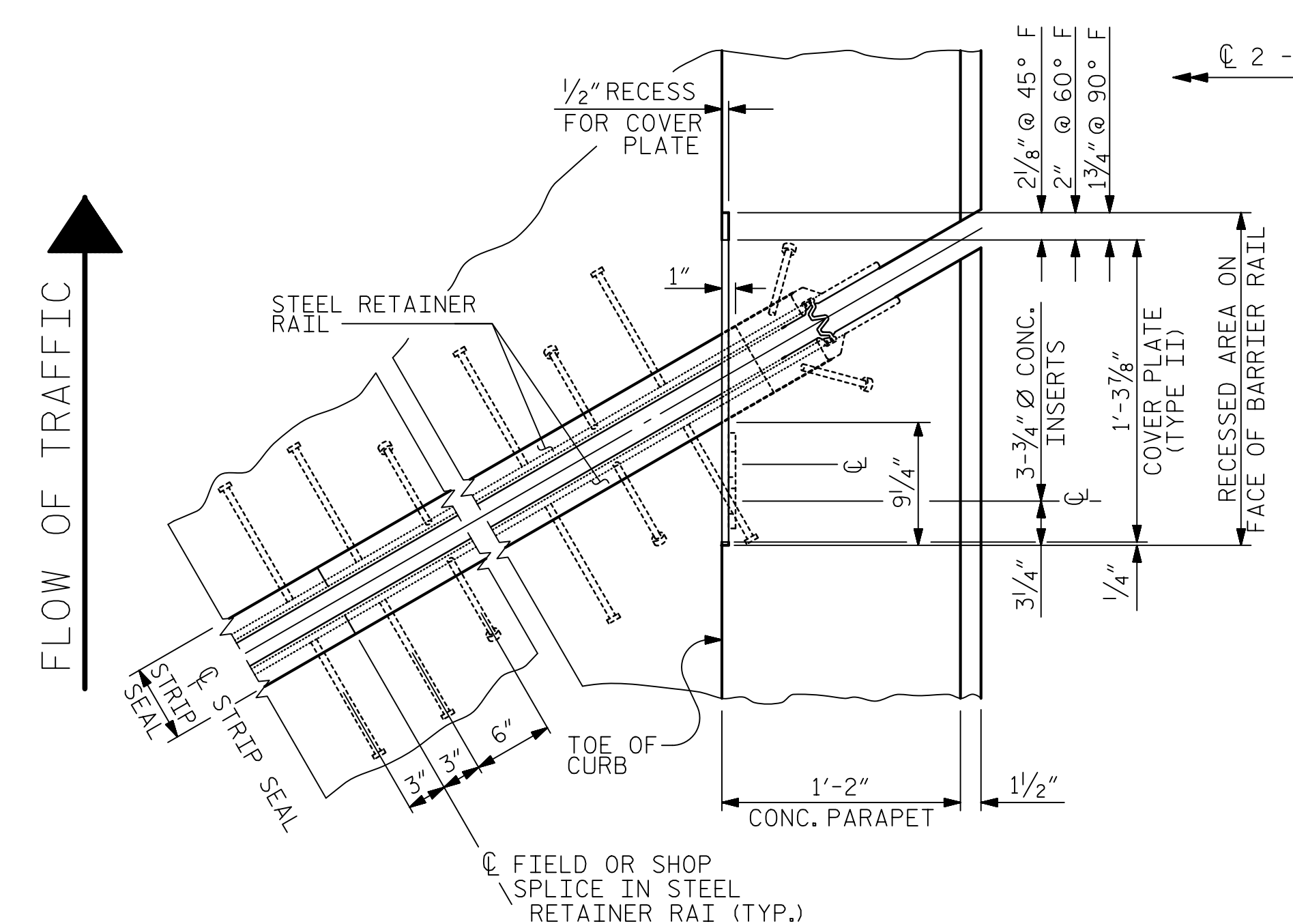


SECTION THRU RAIL NORMAL TO JOINT

* FOR STEEL RETAINER PLATE A TOP END FACING RAIL SHALL BE CLIPPED TO AVOID POSSIBLE INTERFERENCE WITH THE RAIL.



RIGHT SIDE - END BENT #1



RIGHT SIDE - END BENT #2

PLAN OF STRIP SEAL EXPANSION JOINT

ASSEMBLED BY :	J.S. HOBSON	DATE :	06/05/23
CHECKED BY :	J.A. BOYER	DATE :	06/29/23
DESIGN E.O.R. :	J.S. HOBSON	DATE :	08/30/23
DRAWN BY :	MAA 6/20		
CHECKED BY :	BNB 6/20		

Mead & Hunt
 111 E. Hargett Street
 Suite 300
 Raleigh, NC 27601
 919-714-8670
 meadhunt.com
 NC License No. F-1235

Professional Engineer Seal
 JOHN S. HOBSON
 SEAL 043177
 10/5/2023

PROJECT NO. U-5808
 UNION COUNTY
 STATION: 55+00.96 -L2-
 SHEET 2 OF 4

STATE OF NORTH CAROLINA
 DEPARTMENT OF TRANSPORTATION
 RALEIGH
 STANDARD
 STRIP SEAL EXPANSION
 JOINT DETAILS
 FOR CONCRETE PARAPET

REVISIONS						SHEET NO.
NO.	BY:	DATE:	NO.	BY:	DATE:	S-33
1			3			TOTAL SHEETS
2			4			56

DOCUMENT NOT CONSIDERED FINAL UNLESS ALL SIGNATURES COMPLETED