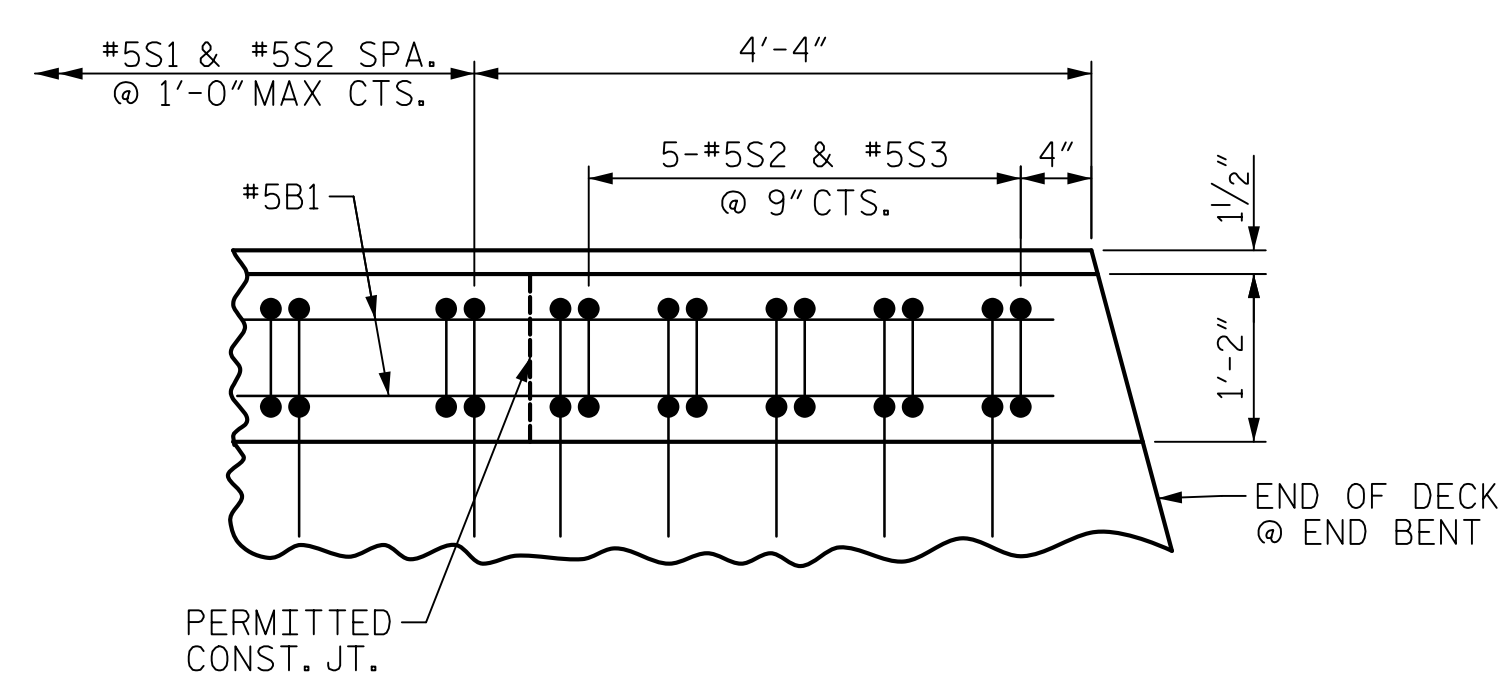
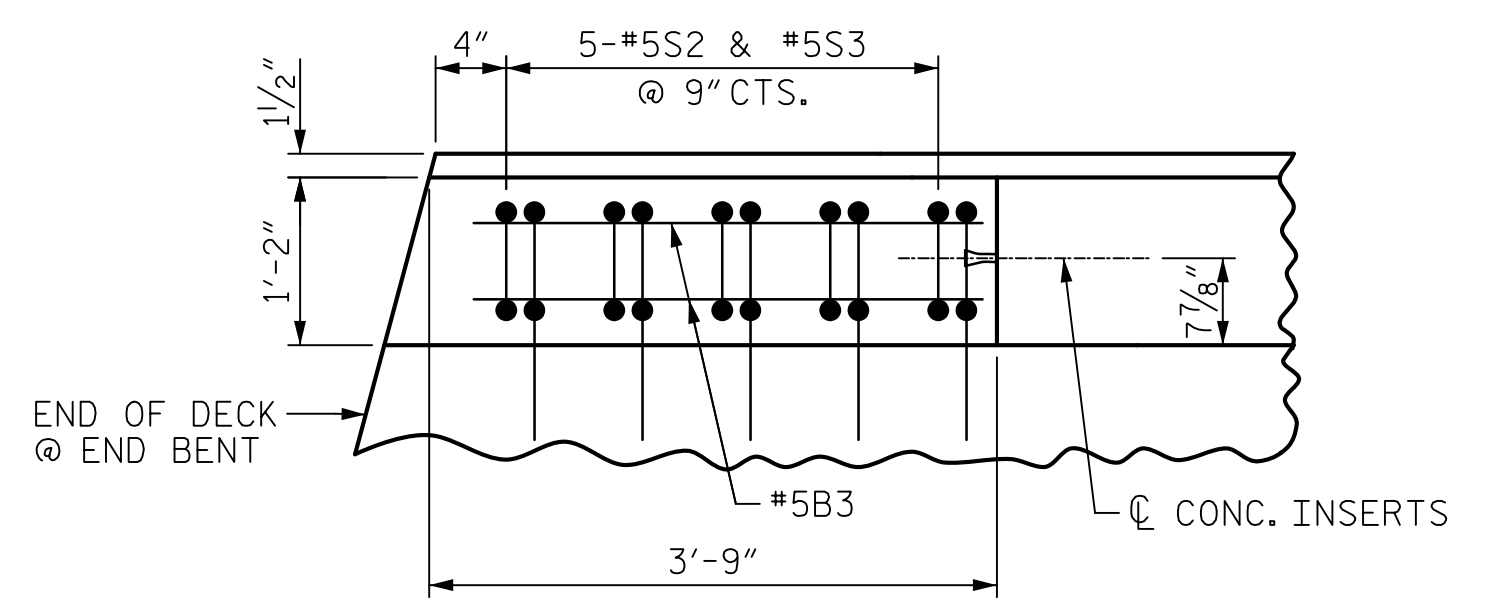


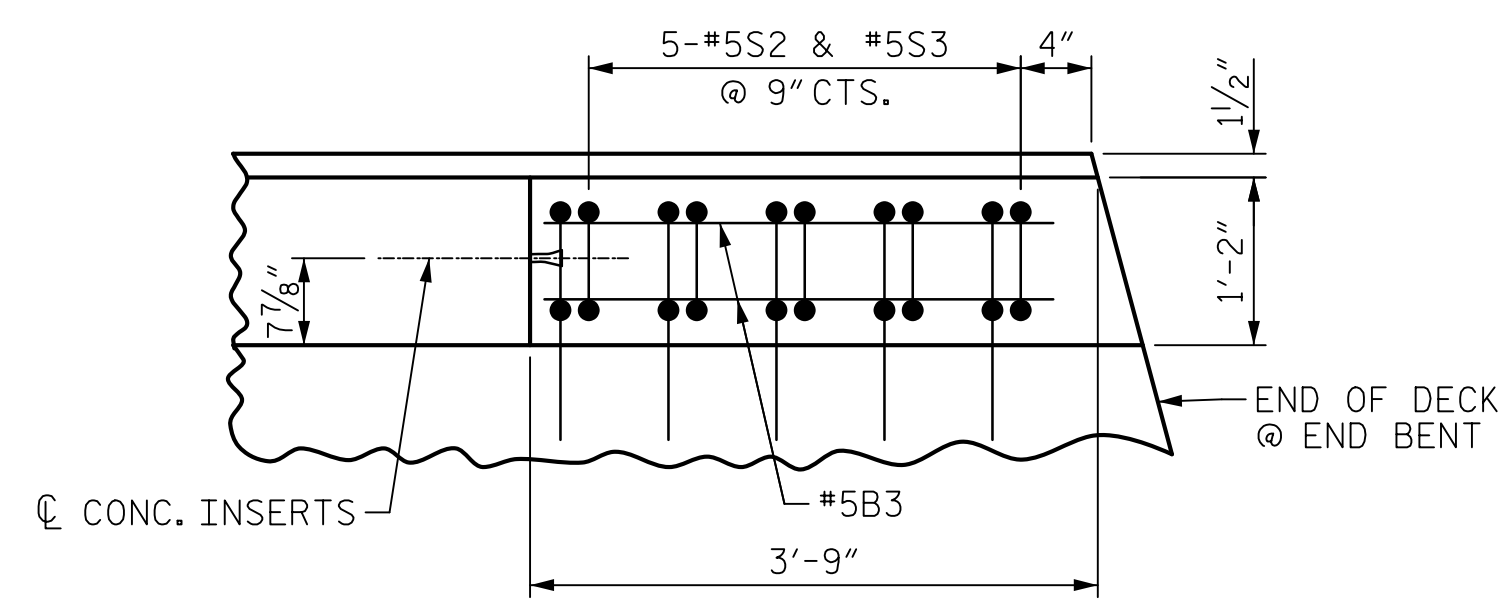
PLAN OF LEFT PARAPET
(END BENT 1)



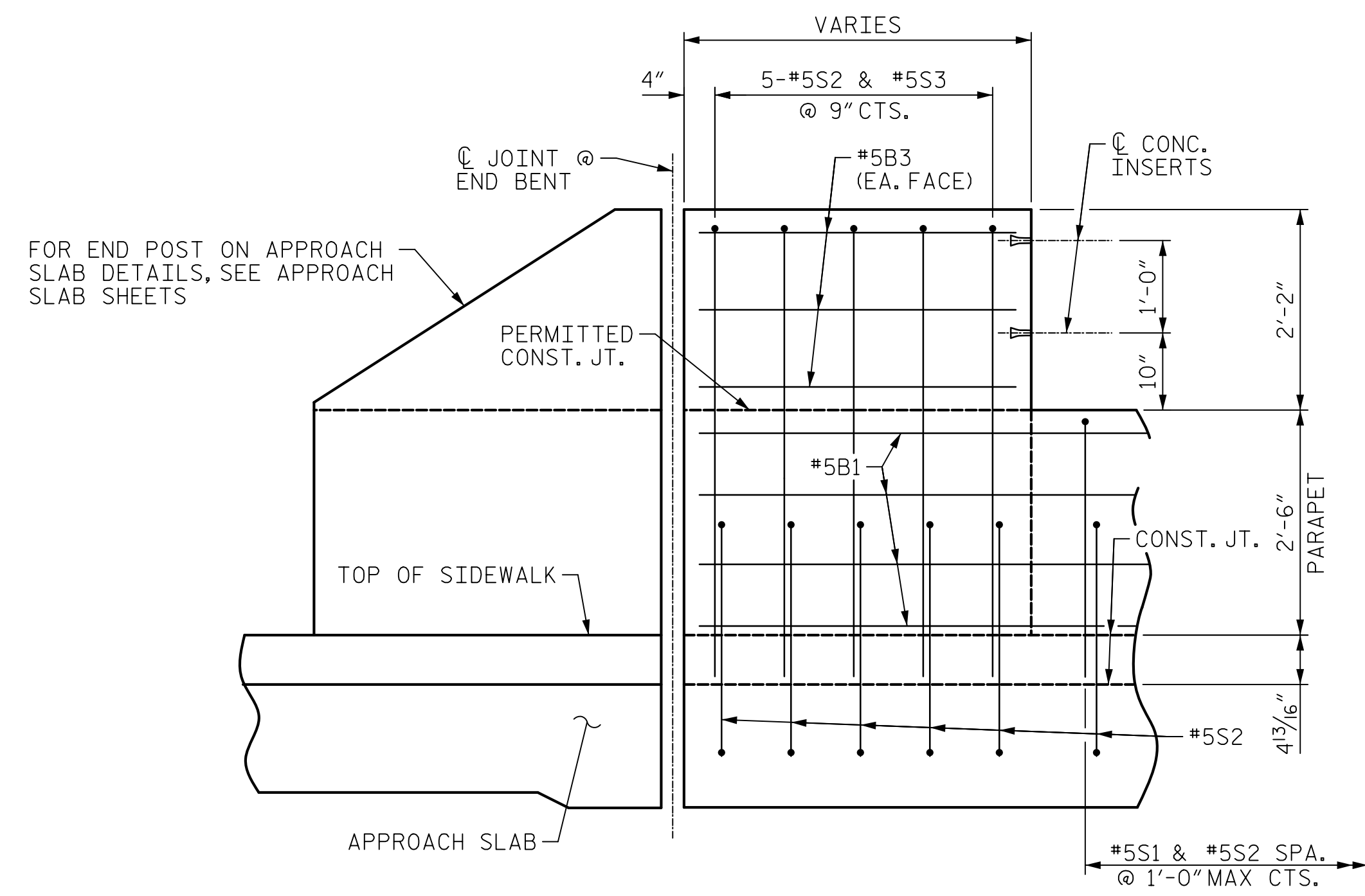
PLAN OF LEFT PARAPET
(END BENT 2)



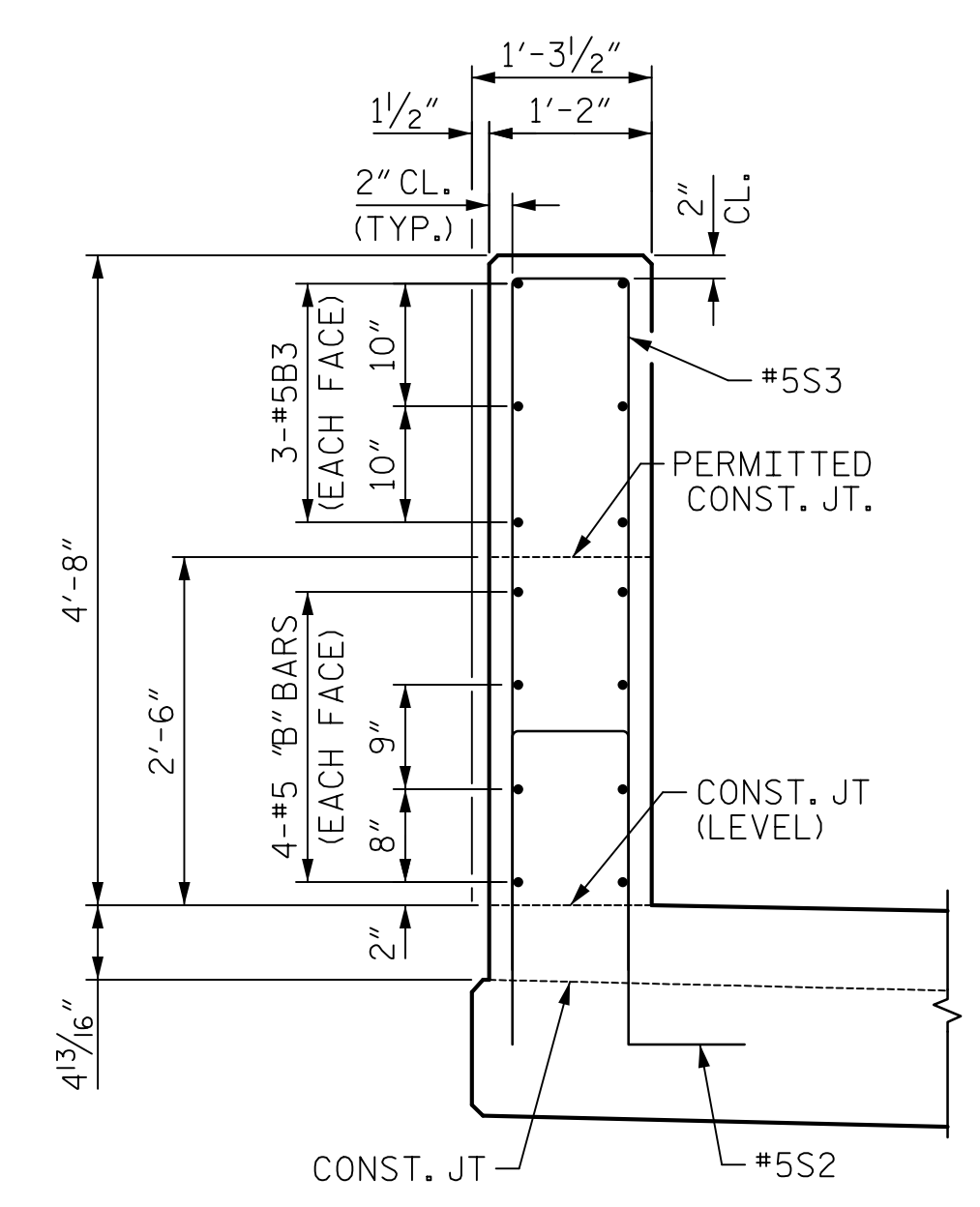
PLAN OF LEFT END POST
(END BENT 1)



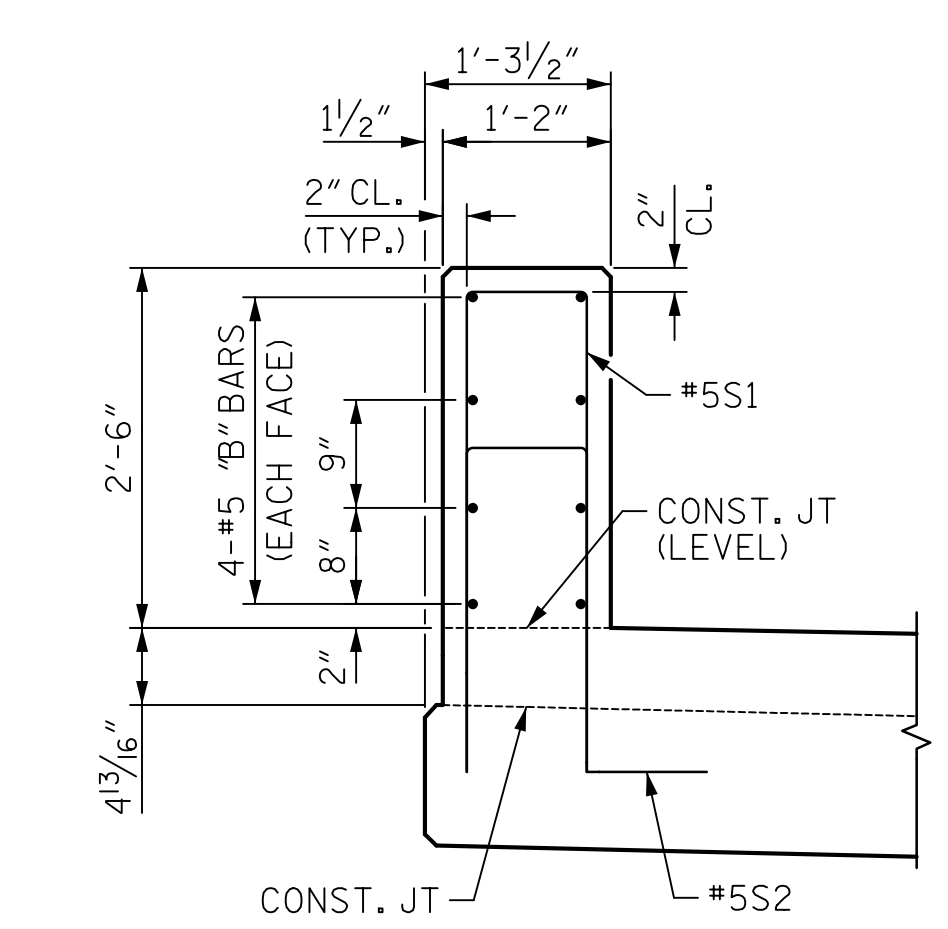
PLAN OF LEFT END POST
(END BENT 2)



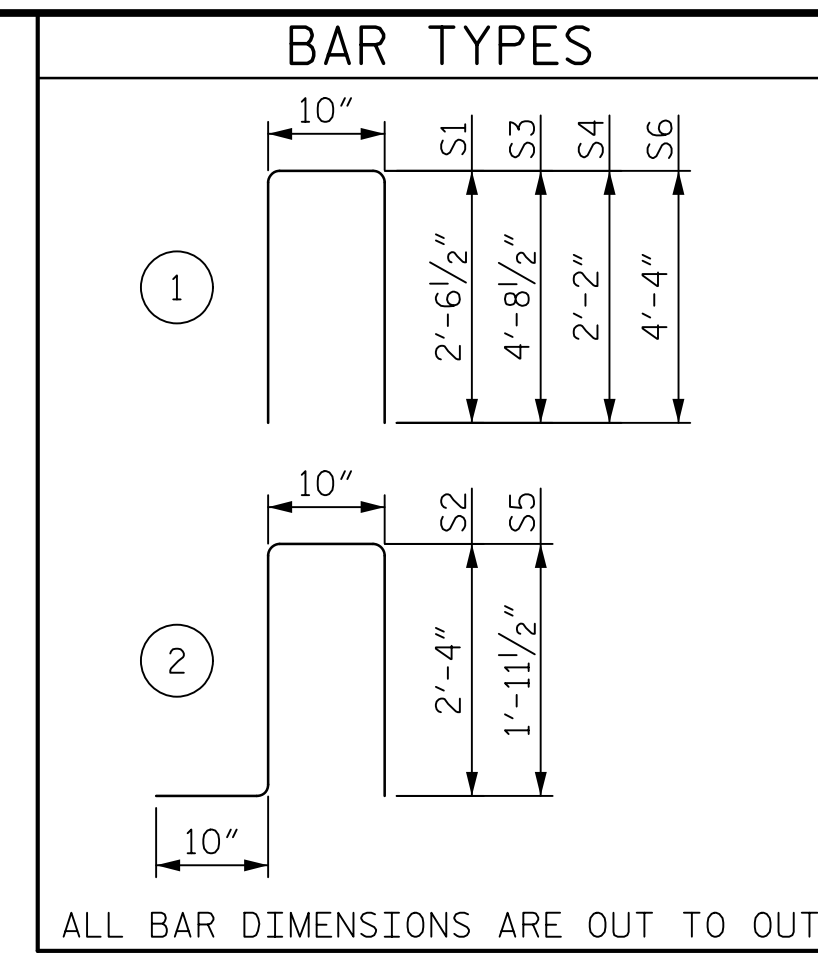
LEFT ELEVATION
(END BENT 1 SHOWN, END BENT 2 SIMILAR)



LEFT END VIEW
(END BENT 1 SHOWN, END BENT 2 SIMILAR)



LEFT PARAPET TYPICAL SECTION
(END BENT 1 SHOWN, END BENT 2 SIMILAR)

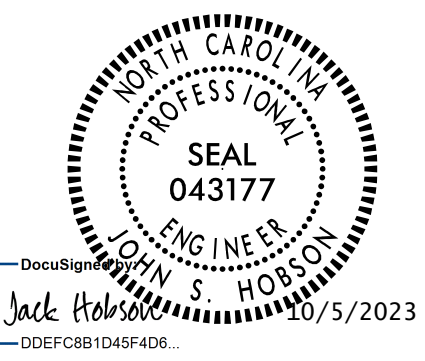


ALL BAR DIMENSIONS ARE OUT TO OUT

BILL OF MATERIAL					
FOR PARAPETS & END POSTS					
BAR	NO.	SIZE	TYPE	LENGTH	WEIGHT
* B1	96	#5	STR	26'-1"	2612
* B2	48	#5	STR	27'-8"	1385
* B3	24	#5	STR	3'-5"	86
* S1	236	#5	1	5'-11"	1456
* S2	246	#5	2	6'-4"	1625
* S3	10	#5	1	10'-3"	107
* S4	236	#5	1	5'-2"	1272
* S5	246	#5	2	5'-7"	1433
* S6	10	#5	1	9'-6"	99
* EPOXY COATED REINFORCING STEEL					10075 LBS.
CLASS AA CONCRETE					53.9 CU. YDS.
1'-2" X 2'-6" CONCRETE PARAPET					486.0 LIN. FT.

FOR END POST ON APPROACH SLAB DETAILS, SEE APPROACH SLAB SHEETS

Mead & Hunt
 111 E. Hargett Street
 Suite 300
 Raleigh, NC 27601
 919-714-8670
 meadhunt.com
 NC License No. F-1235



PROJECT NO. U-5808
UNION COUNTY
 STATION: 55+00.96 -L2-
 SHEET 3 OF 3

STATE OF NORTH CAROLINA
 DEPARTMENT OF TRANSPORTATION
 RALEIGH
 SUPERSTRUCTURE
 CONCRETE PARAPET
 AND END POST DETAILS

DRAWN BY : J.S. HOBSON DATE : 04/14/22
 CHECKED BY : C.C. CAMPBELL DATE : 06/20/23
 DESIGN ENGINEER OF RECORD : J.S. HOBSON DATE : 08/30/23

PARAPET AND END POST FOR TWO BAR RAIL

FOR GUARDRAIL ANCHORAGE DETAILS AND LOCATION, SEE "GUARDRAIL ANCHORAGE DETAILS FOR METAL RAILS" SHEET.

DOCUMENT NOT CONSIDERED FINAL UNLESS ALL SIGNATURES COMPLETED

REVISIONS					
NO.	BY:	DATE:	NO.	BY:	DATE:
1			3		
2			4		

SHEET NO. S-26
 TOTAL SHEETS 56