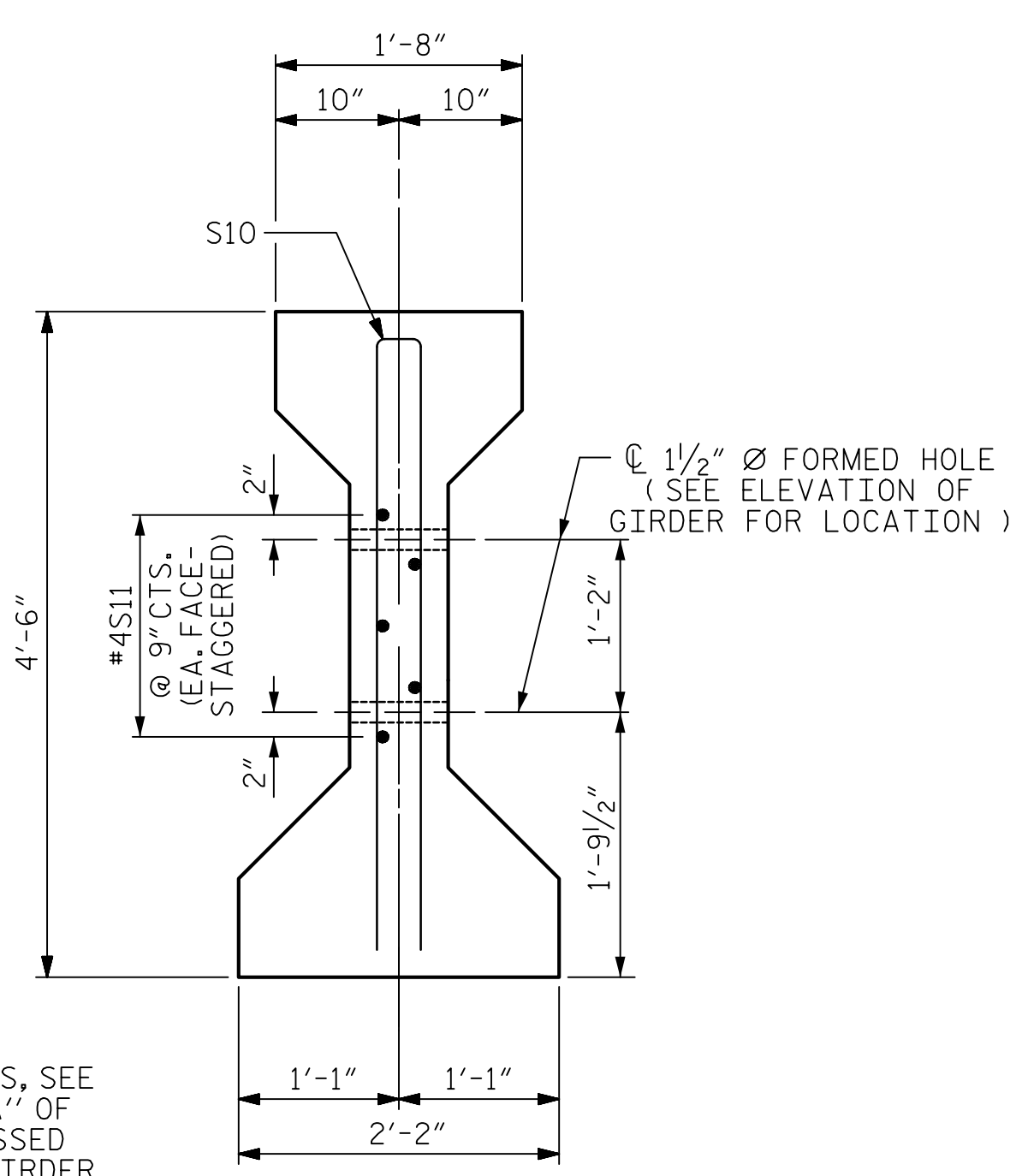


SECTION A-A

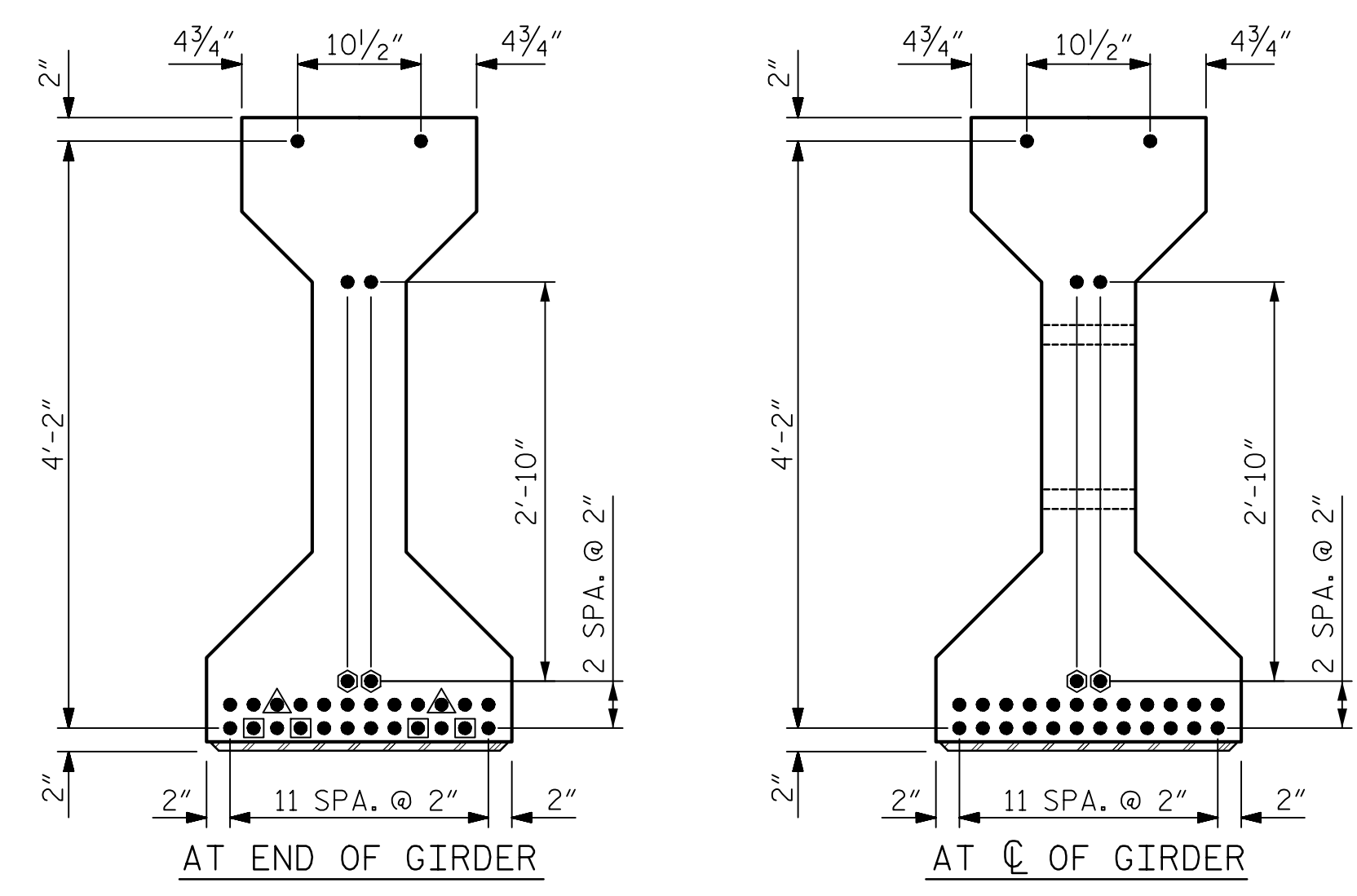
SECTION B-B



SECTION C-C

* FOR S7 BARS, SEE
DETAIL "A" OF
PRESTRESSED
CONCRETE GIRDER
CONTINUOUS FOR LIVE
LOAD DETAILS SHEET

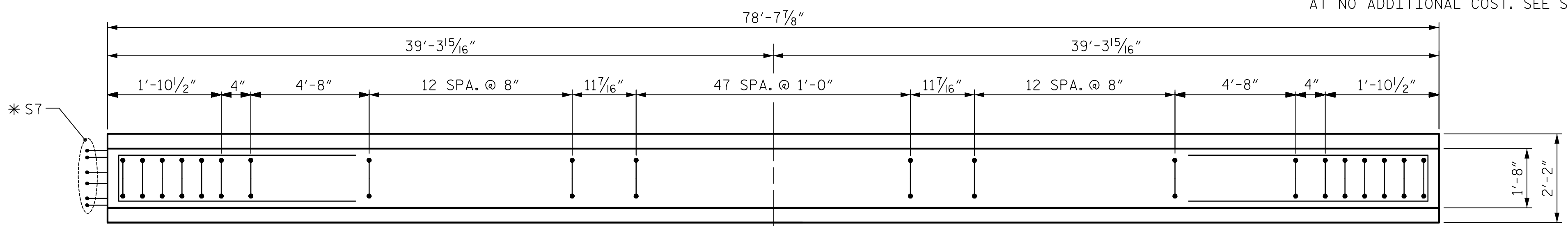
(S1 BARS NOT SHOWN)



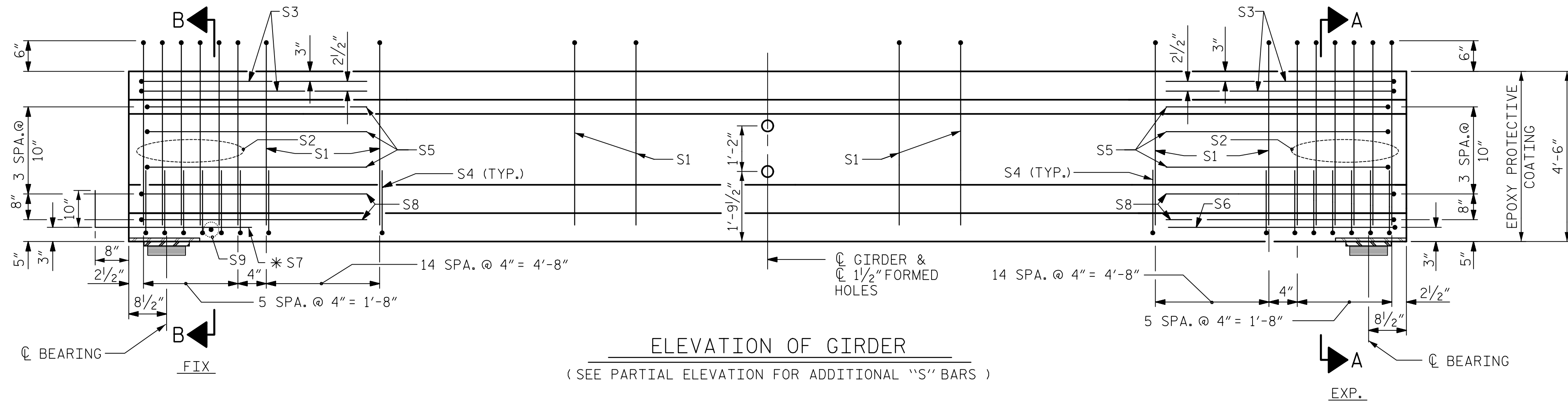
0.6" Ø LOW RELAXATION STRAND LAYOUT

(28 TOTAL STRANDS REQUIRED)

- FULLY BONDED STRANDS
- STRANDS DEBONDED FOR 14'-0" FROM END OF GIRDER
- ▲ STRANDS DEBONDED FOR 4'-0" FROM END OF GIRDER
- OPTIONAL FULL LENGTH DEBONDED STRANDS. THESE STRANDS ARE NOT REQUIRED. IF THE FABRICATOR CHOOSES TO INCLUDE THESE STRANDS IN THE GIRDER, THE STRANDS SHALL BE DEBONDED FOR THE FULL LENGTH OF THE UNIT AT NO ADDITIONAL COST. SEE STANDARD SPECIFICATIONS, ARTICLE 1078-7.

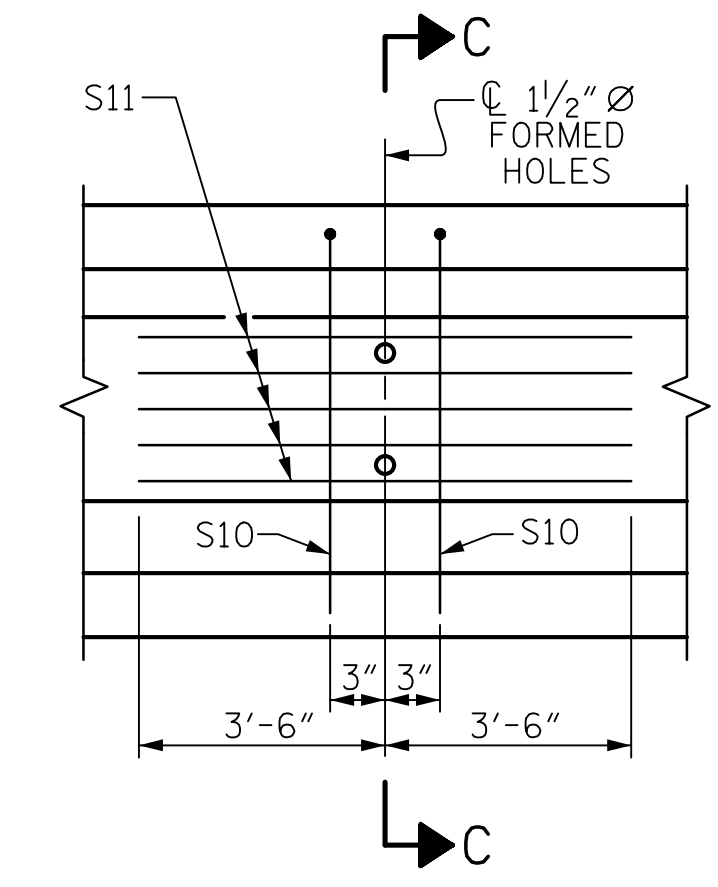


PLAN OF GIRDER



ELEVATION OF GIRDER

(SEE PARTIAL ELEVATION FOR ADDITIONAL "S" BARS)



PARTIAL ELEVATION

SHOWING INTERMEDIATE DIAPHRAGM REINFORCING STEEL FOR ALL GIRDERS

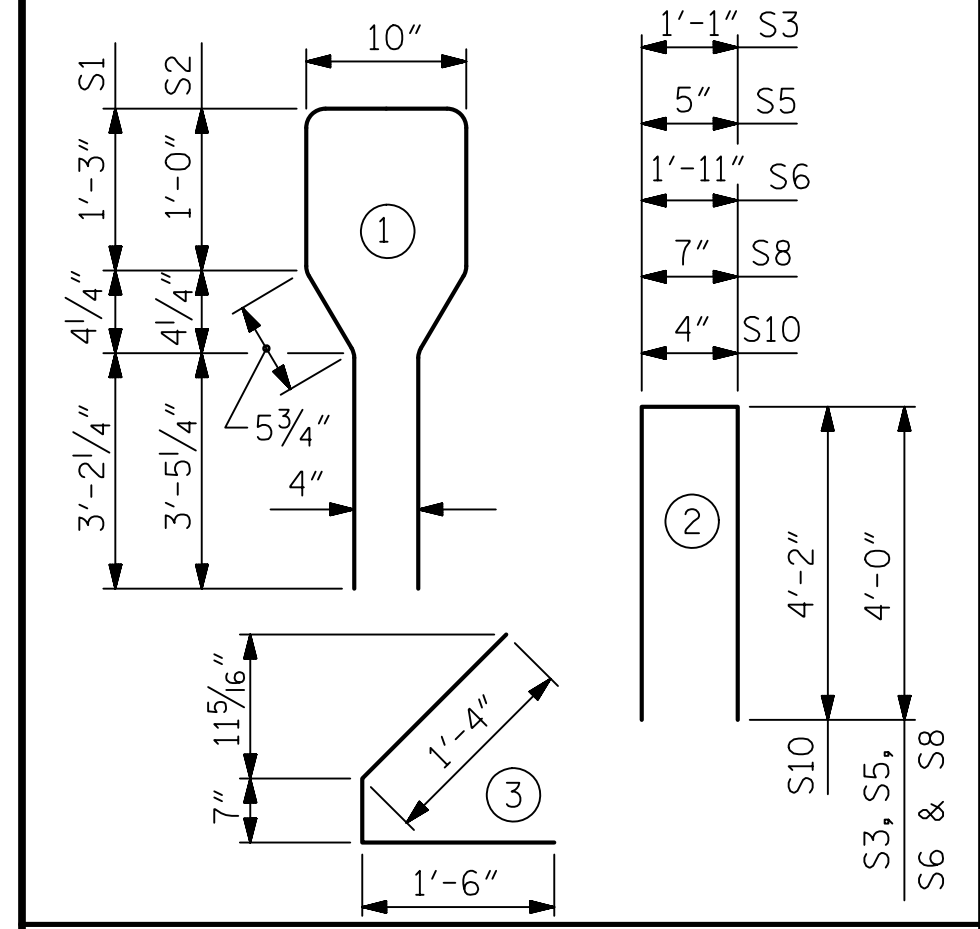
0.6" Ø L. R. GRADE 270 STRANDS		
AREA (SQUARE INCHES)	ULTIMATE STRENGTH (LBS. PER STRAND)	APPLIED PRESTRESS (LBS. PER STRAND)
0.217	58,600	43,950

REINFORCING STEEL FOR ONE GIRDER					
BAR	NUMBER	SIZE	TYPE	LENGTH	WEIGHT
S1	102	#4	1	10'-8"	727
S2	12	#6	1	10'-8"	192
S3	4	#4	2	9'-1"	24
S4	84	#4	3	3'-5"	192
S5	6	#4	2	8'-5"	34
S6	1	#4	2	9'-11"	7
* S7	6	#5	STR	3'-8"	23
S8	4	#4	2	8'-7"	23
S9	1	#3	STR	1'-10"	1
S10	2	#5	2	8'-8"	18
S11	5	#4	STR	7'-0"	23

* NOTE: S7 BARS SHALL BE BENT BEFORE SHIPMENT. HEAT BENDING SHALL NOT BE ALLOWED.

BAR TYPES

ALL BAR DIMENSIONS ARE OUT-TO-OUT



QUANTITIES FOR ONE GIRDER

GIRDER QUANTITY	REINFORCING STEEL	5000 PSI CONCRETE	0.6" Ø L. R. STRANDS
	LB.	C.Y.	No.
1,264	16.0 (AVG.)	28	

GIRDERS REQUIRED

NUMBER	LENGTH	TOTAL LENGTH
7	78'-7 7/8"	550'-7 7/8"

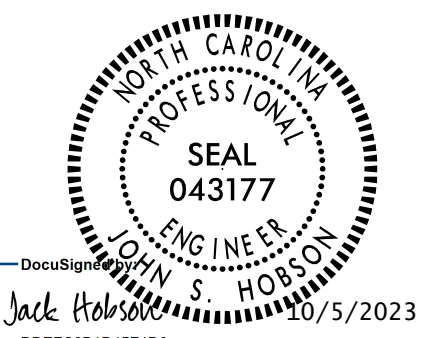
PROJECT NO. U-5808
UNION COUNTY
 STATION: 55+00.96 -L2-

SHEET 3 OF 5

STATE OF NORTH CAROLINA
 DEPARTMENT OF TRANSPORTATION
 RALEIGH
 STANDARD
 AASHTO TYPE IV
 PRESTRESSED CONCRETE GIRDER
 CONTINUOUS FOR LIVE LOAD
 SPAN "C"

REVISIONS						SHEET NO. S-18
NO.	BY:	DATE:	NO.	BY:	DATE:	
1			3			TOTAL SHEETS
2			4			56

Mead & Hunt
 111 E. Hargett Street
 Suite 300
 Raleigh, NC 27601
 919-714-8670
 meadhunt.com
 NC License No. F-1235



DOCUMENT NOT CONSIDERED FINAL UNLESS ALL SIGNATURES COMPLETED

ASSEMBLED BY : J.S. HOBSON	DATE : 05/17/23
CHECKED BY : C.C. CAMPBELL	DATE : 06/19/23
DESIGN E.O.R. : J.S. HOBSON	DATE : 08/30/23
DRAWN BY : ELR 8/91	REV. 10/1/11 MAA/GM
CHECKED BY : GRP 8/91	REV. 1/15 MAA/TMG
	REV. 12/17 MAA/THC