

TOP OF RAIL ELEVATION		
-RR1- STATION	1 st RAIL	2 nd RAIL
10+50.00	701.74	701.72
11+00.00	701.15	701.12
11+50.00	700.64	700.61
12+00.00	700.11	700.09

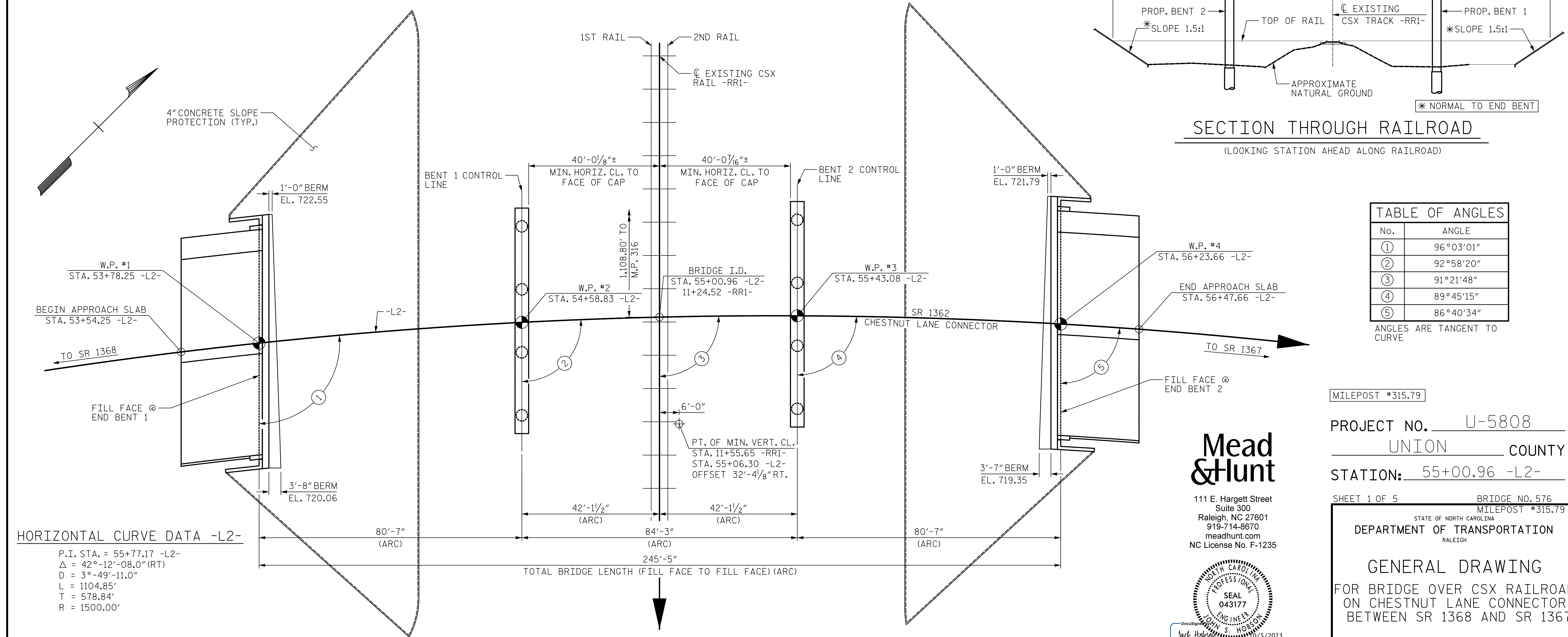


TABLE OF ANGLES	
No.	ANGLE
①	96° 03' 01"
②	92° 58' 20"
③	91° 21' 48"
④	89° 45' 15"
⑤	86° 40' 34"

ANGLES ARE TANGENT TO CURVE

Mead & Hunt
 111 E. Hargett Street
 Suite 300
 Raleigh, NC 27601
 919-714-8670
 meadhunt.com
 NC License No. F-1235



MILEPOST #315.79

PROJECT NO. U-5808

UNION COUNTY

STATION: 55+00.96 -L2-

SHEET 1 OF 5 BRIDGE NO. 576
MILEPOST #315.79

STATE OF NORTH CAROLINA
 DEPARTMENT OF TRANSPORTATION
 RALEIGH

GENERAL DRAWING
 FOR BRIDGE OVER CSX RAILROAD
 ON CHESTNUT LANE CONNECTOR
 BETWEEN SR 1368 AND SR 1367

DRAWN BY : J.S. HOBSON DATE : 06/05/23
 CHECKED BY : J.A. BOYER DATE : 06/29/23
 DESIGN ENGINEER OF RECORD : J.S. HOBSON DATE : 08/30/23

DOCUMENT NOT CONSIDERED
 FINAL UNLESS ALL
 SIGNATURES COMPLETED

REVISIONS						SHEET NO.	
NO.	BY:	DATE:	NO.	BY:	DATE:	S-01	
1			3			TOTAL SHEETS	
2			4			56	