

5/14/99

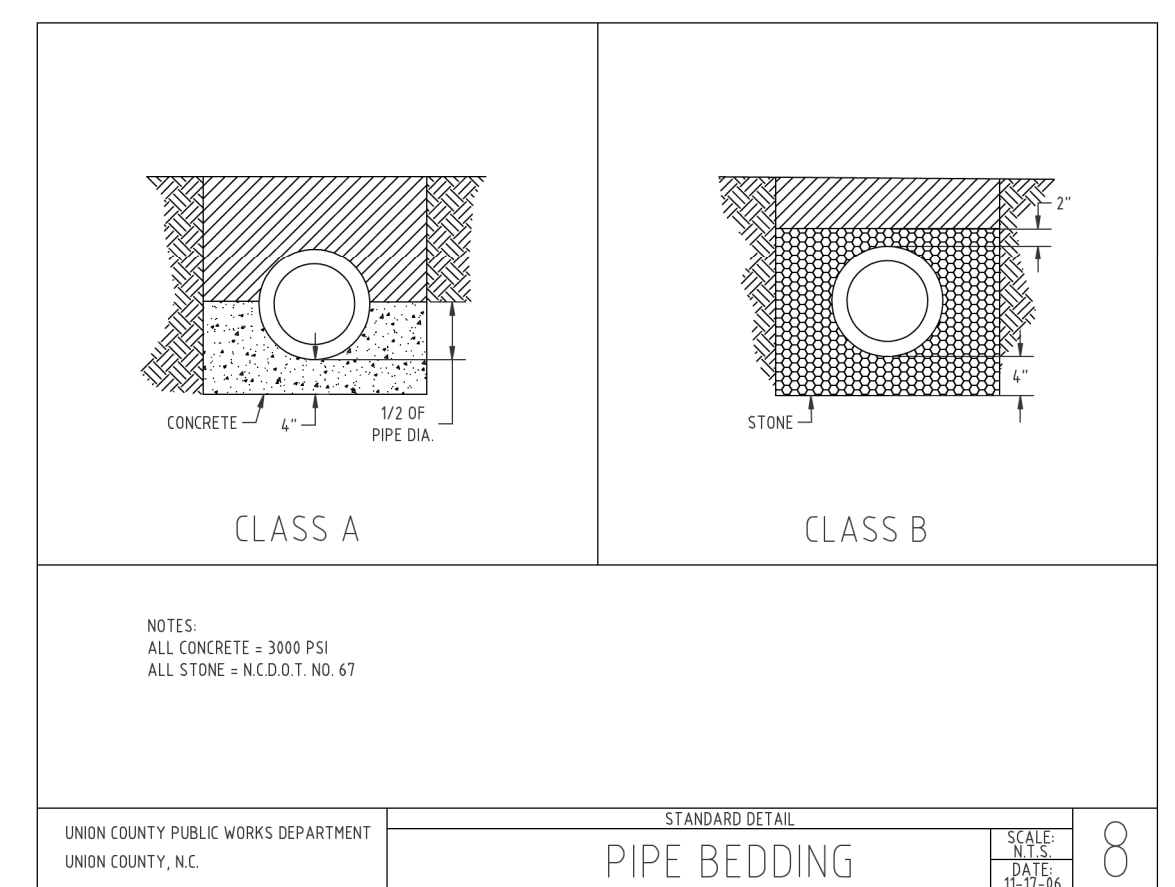
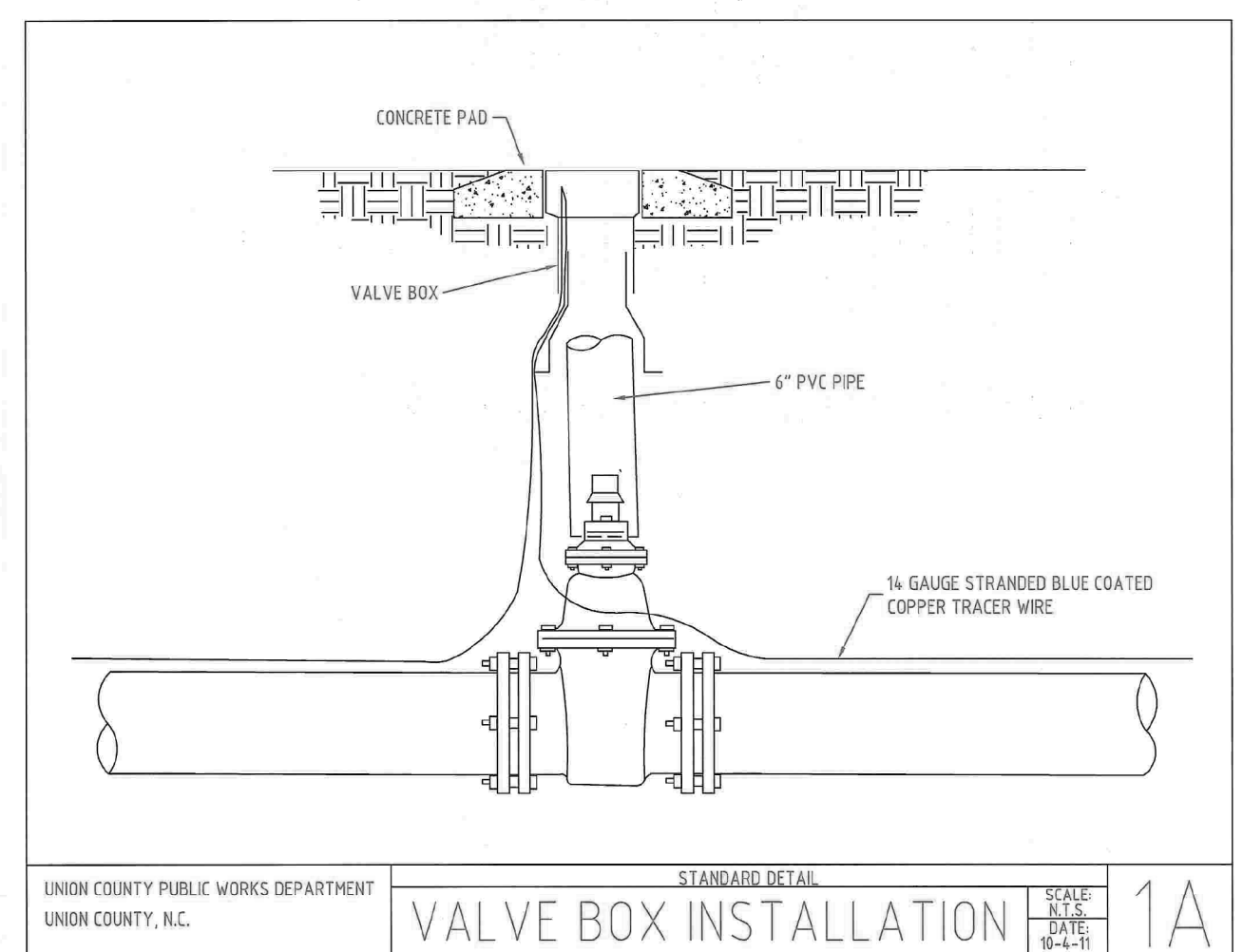
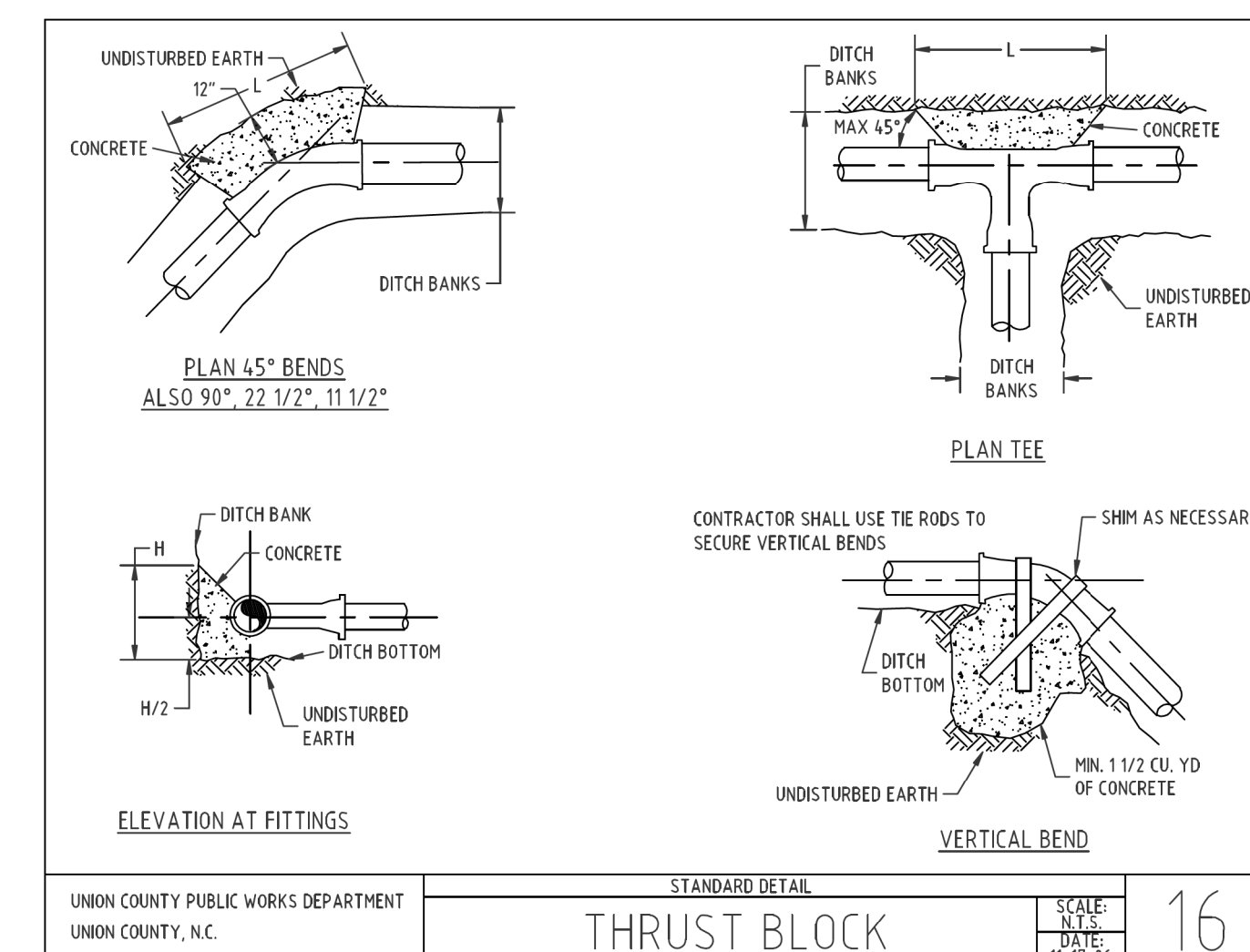
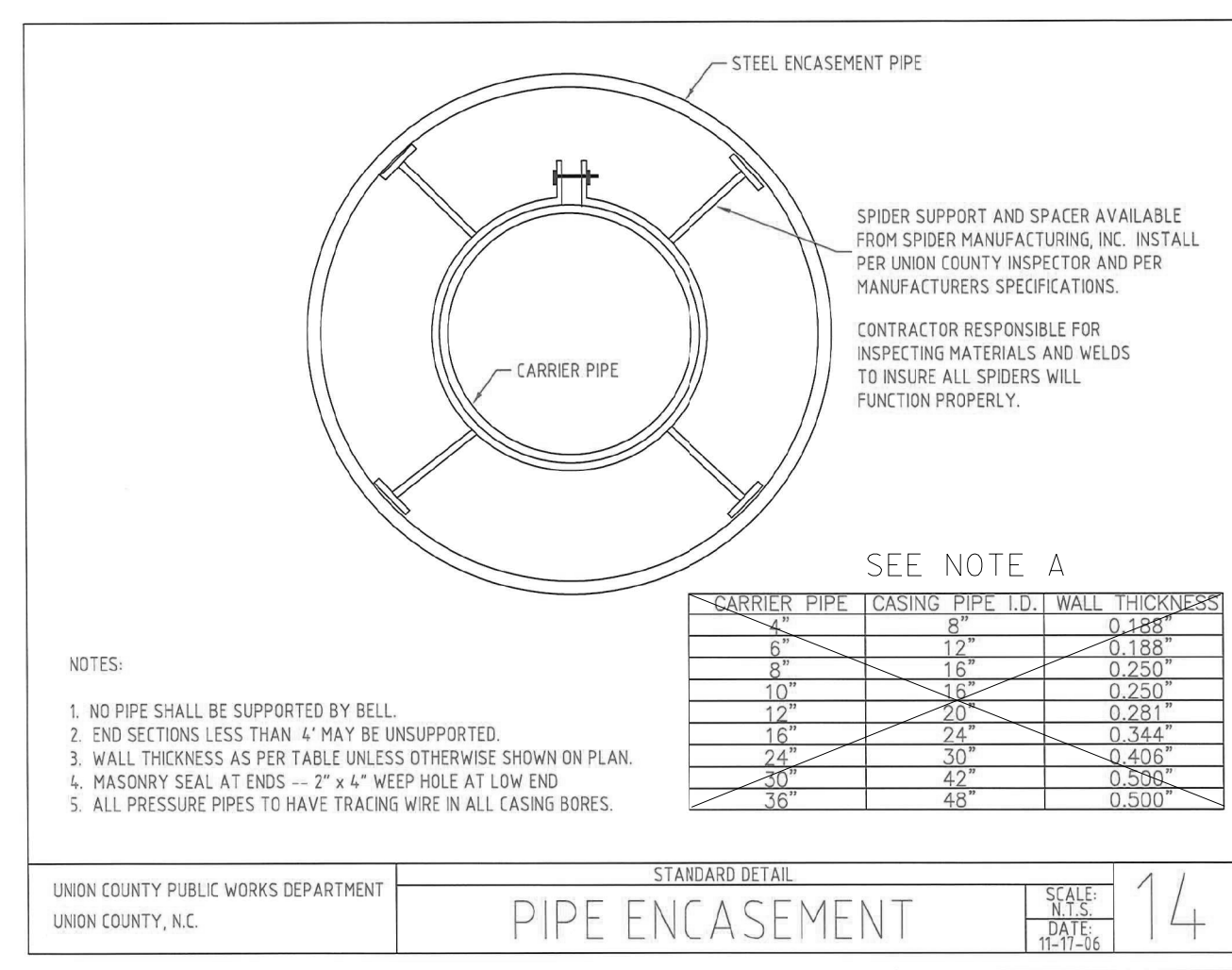
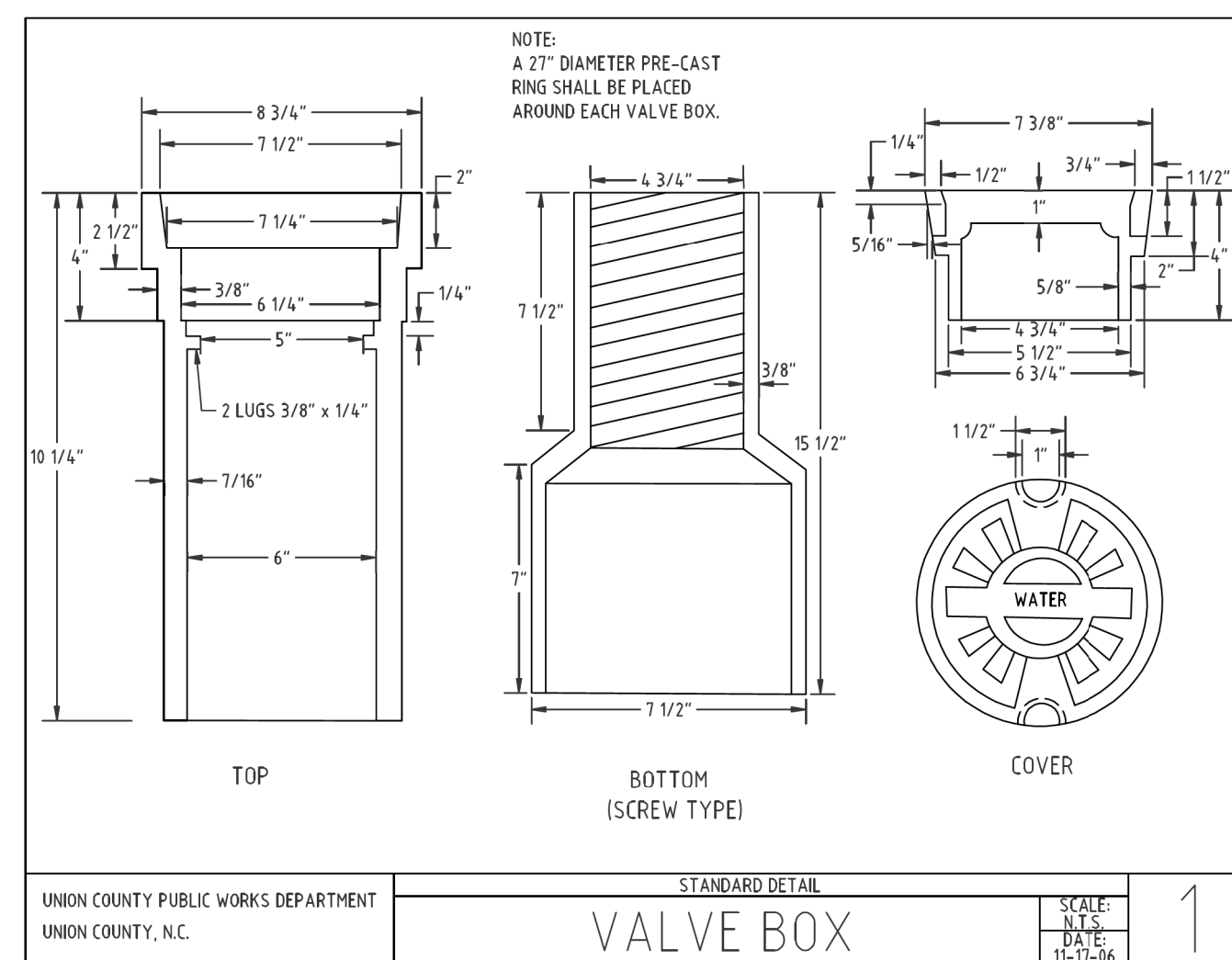
# PROJECT TYPICAL DETAILS

PROJECT REFERENCE NO.	SHEET NO.
U-5808	UC-3C
DESIGNED BY: KJB	
DRAWN BY: JLS	
CHECKED BY: RJD	
APPROVED BY:	
REVISED:	
NORTH CAROLINA DEPARTMENT OF TRANSPORTATION UTILITIES ENGINEERING SEC. PHONE: (919) 707-6690 FAX: (919) 250-4151 UTILITY CONSTRUCTION PLANS ONLY 111 E. Hargett Street, Suite 300 Raleigh, North Carolina 27601 919-714-8870   meadandhunt.com NC License No. F-1235	

## UTILITY CONSTRUCTION

NOTE A:  
NCDOT REQUIRED CASING PIPE DIAMETER AND THICKNESS DESCRIBED BELOW PER CARRIER PIPE SIZE FOR THIS PROJECT.

CARRIER PIPE	CASING PIPE I.D.	WALL THICKNESS
6"	8"	0.375"
8"	10"	0.375"
12"	14"	0.375"



ANCHORAGE SCHEDULE

PIPE SIZE	11 1/4" BEND		22 1/2" BEND		45° BEND		90° BEND		TEE		TEST PRESSURE (P.S.I.)
	L	H	L	H	L	H	L	H	L	H	
6"	13"	10"	23"	10"	26"	16"	29"	16"	20"	16"	200
	16"	13"	23"	16"	30"	16"	40"	16"	30"	16"	300
8"	16"	16"	26"	19"	30"	20"	39"	20"	26"	20"	200
	20"	16"	30"	20"	39"	23"	46"	26"	36"	23"	300
12"	26"	19"	40"	23"	43"	30"	50"	33"	40"	30"	200
	36"	20"	53"	26"	60"	33"	70"	36"	50"	36"	300
14"	30"	19"	40"	30"	46"	39"	60"	39"	46"	36"	200
	40"	26"	53"	36"	60"	43"	66"	50"	50"	50"	300
16"	30"	29"	46"	36"	50"	46"	70"	43"	50"	40"	200
	40"	30"	63"	39"	65"	53"	80"	53"	76"	40"	300

THRUST BLOCK DIMENSIONS BASED ON SOIL BEARING CAPACITY OF 2000 P.S.F. AND A WATER TEST PRESSURE OF 150 P.S.I. SIZES OF THRUST BLOCKS MAY BE REVISED BY THE ENGINEER WHERE BEARING CAPACITY OF SOIL VARIES.

PROVIDE TAR PAPER JOINT BETWEEN CONCRETE THRUST BLOCK AND PORTION OF PIPE BEING ANCHORED.

ALL CONCRETE THRUST BLOCKS SHALL BE 2500 P.S.I. CONCRETE.

MAXIMUM VERTICAL DEFLECTION SHALL BE 22 1/2".

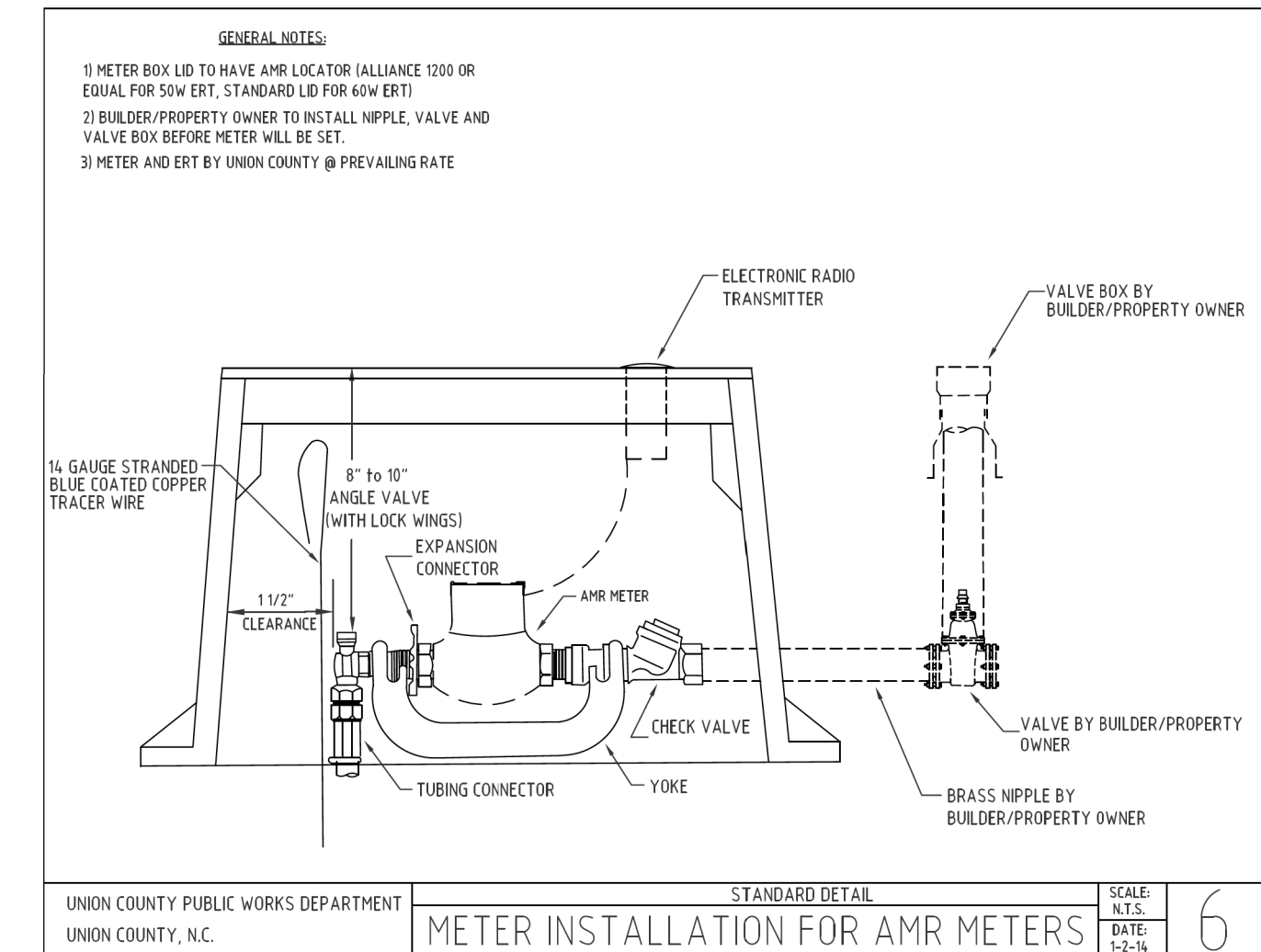
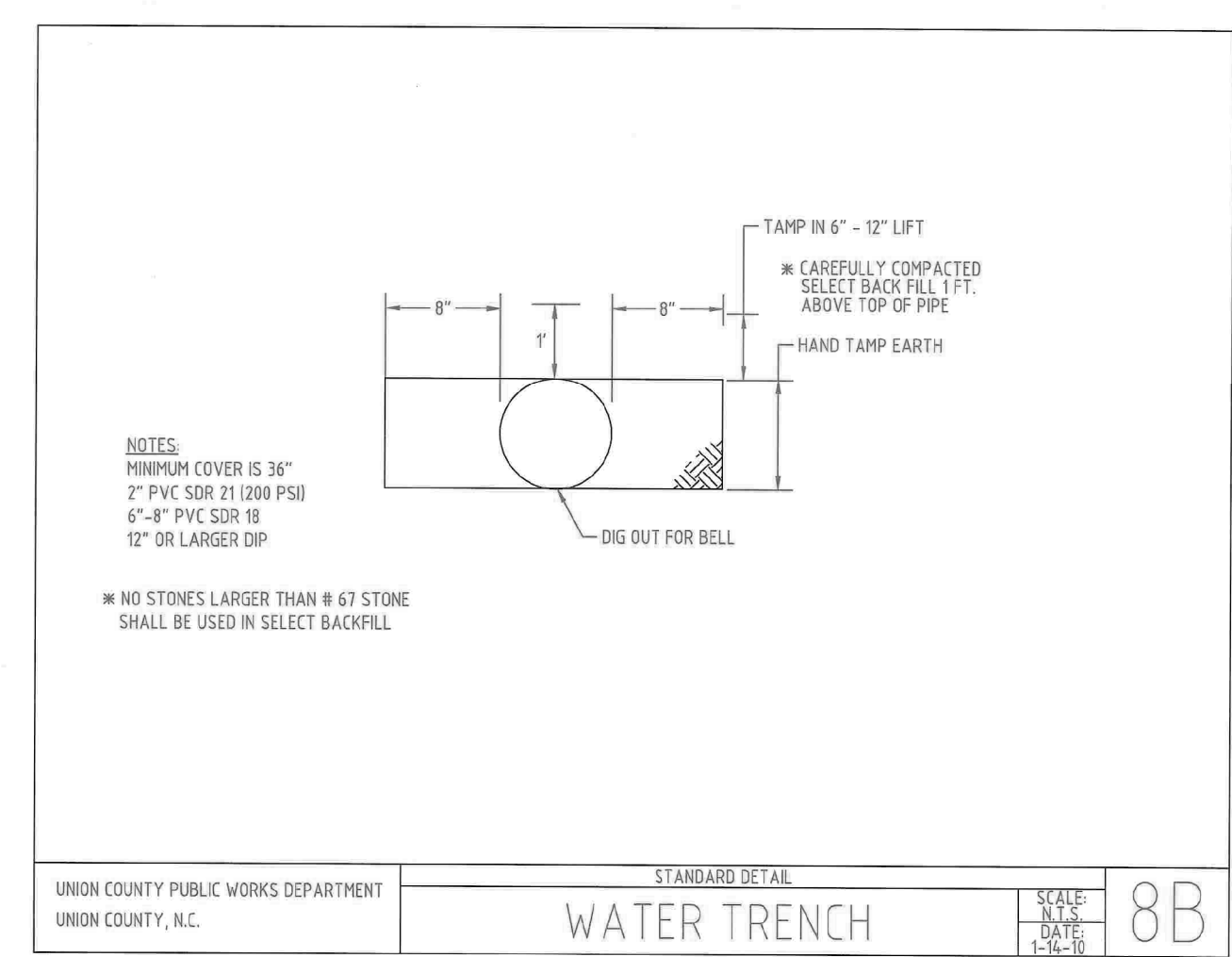
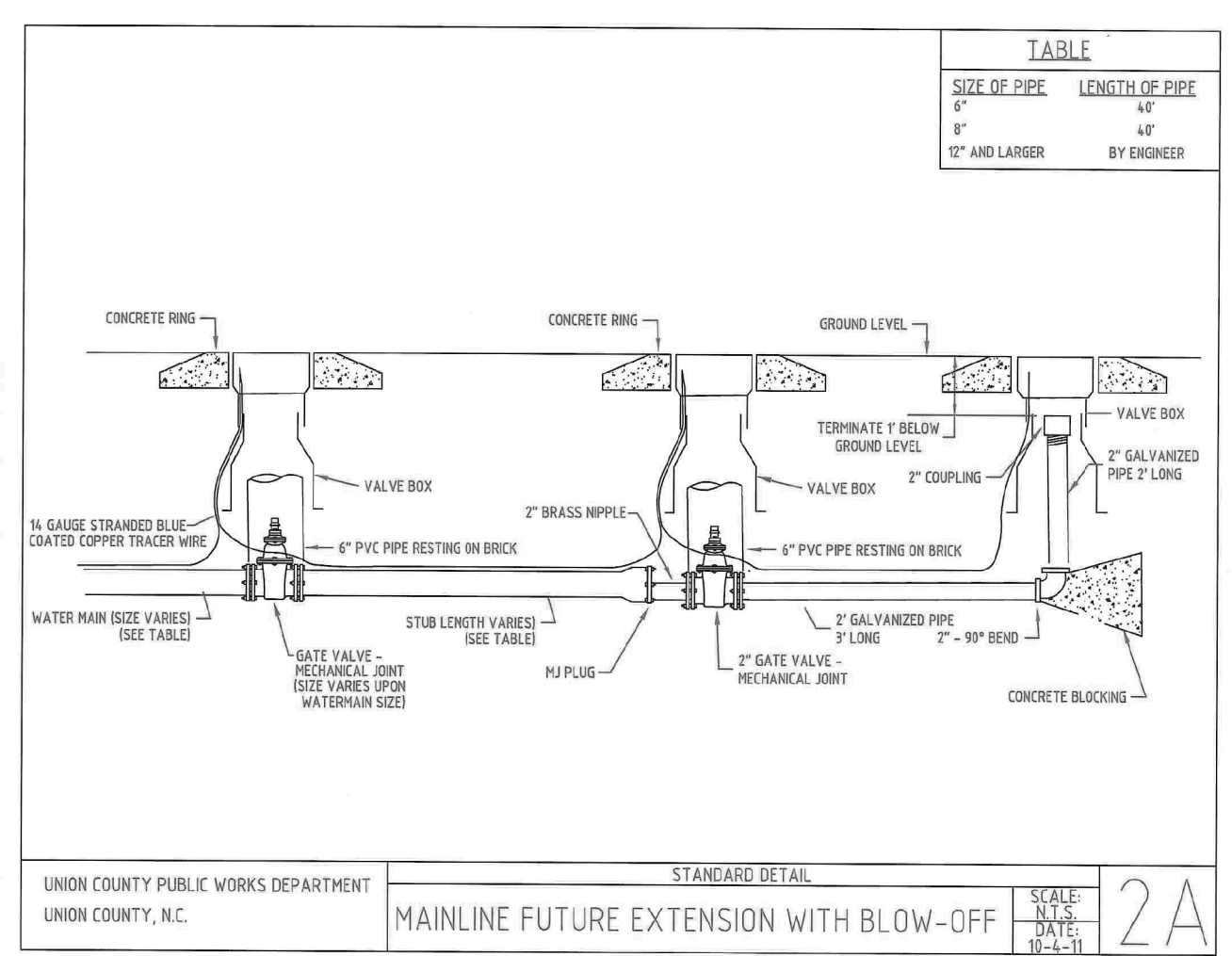
JOINTS SHALL REMAIN FREE OF CONCRETE FOR INSPECTION, REPAIR OR REPLACEMENT OF JOINTS.

UNION COUNTY PUBLIC WORKS DEPARTMENT  
UNION COUNTY, N.C.

STANDARD DETAIL  
THRUST BLOCK SPECIFICATIONS

SCALE: N.T.S.  
DATE: 11-11-96

17



DOCUMENT NOT CONSIDERED FINAL  
UNLESS ALL SIGNATURES COMPLETED

C:\AUG-2023\_09:22.com\shared\older\shere\entp\4306200\156543.01\TECH\Utilities\Construction\U5808\_ut\_dtl\UC03C\_psh.dwg  
 11/11/2023 10:58:58 AM