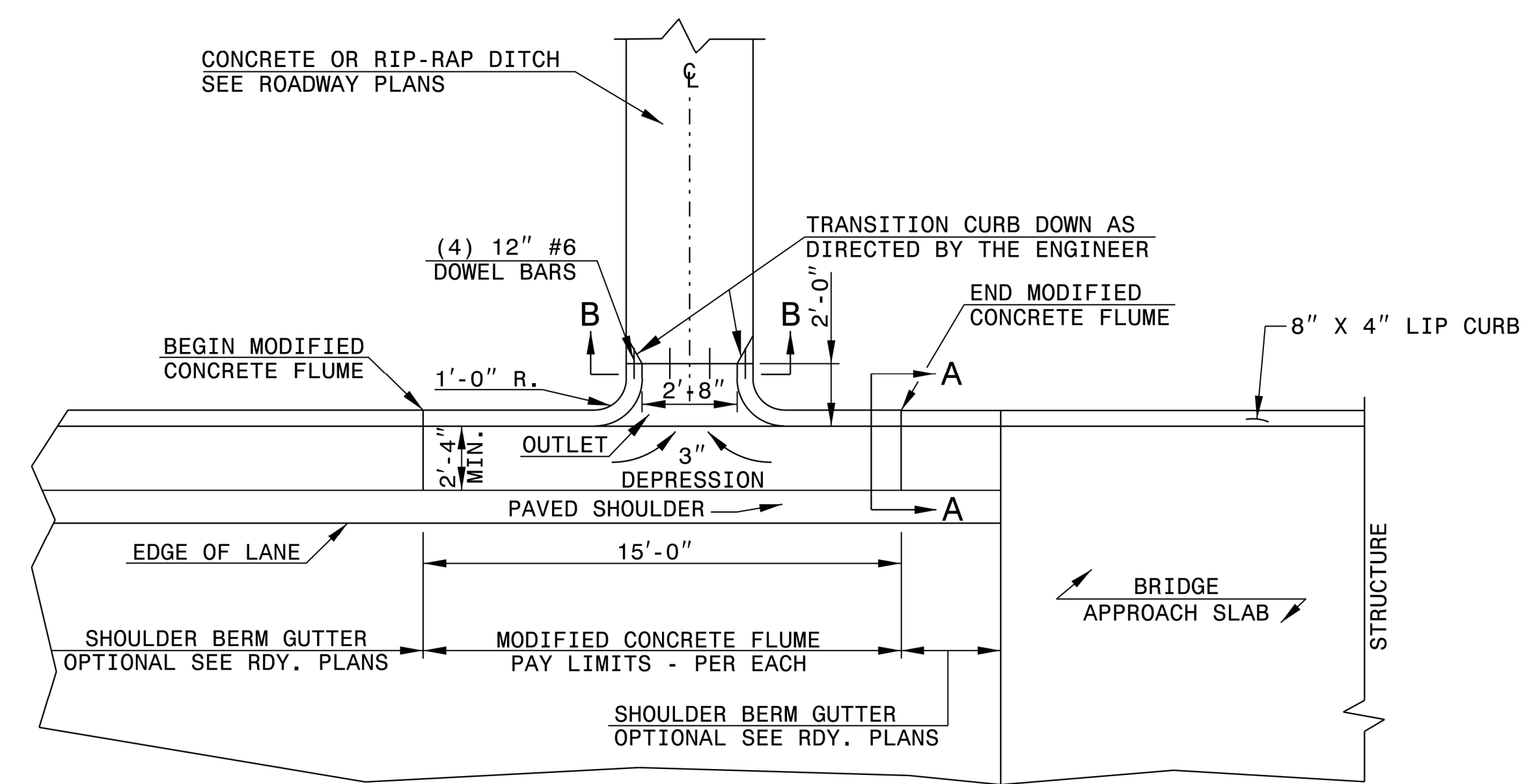


STATE OF  
NORTH CAROLINA  
DEPT. OF TRANSPORTATION  
DIVISION OF HIGHWAYS  
RALEIGH, N.C.

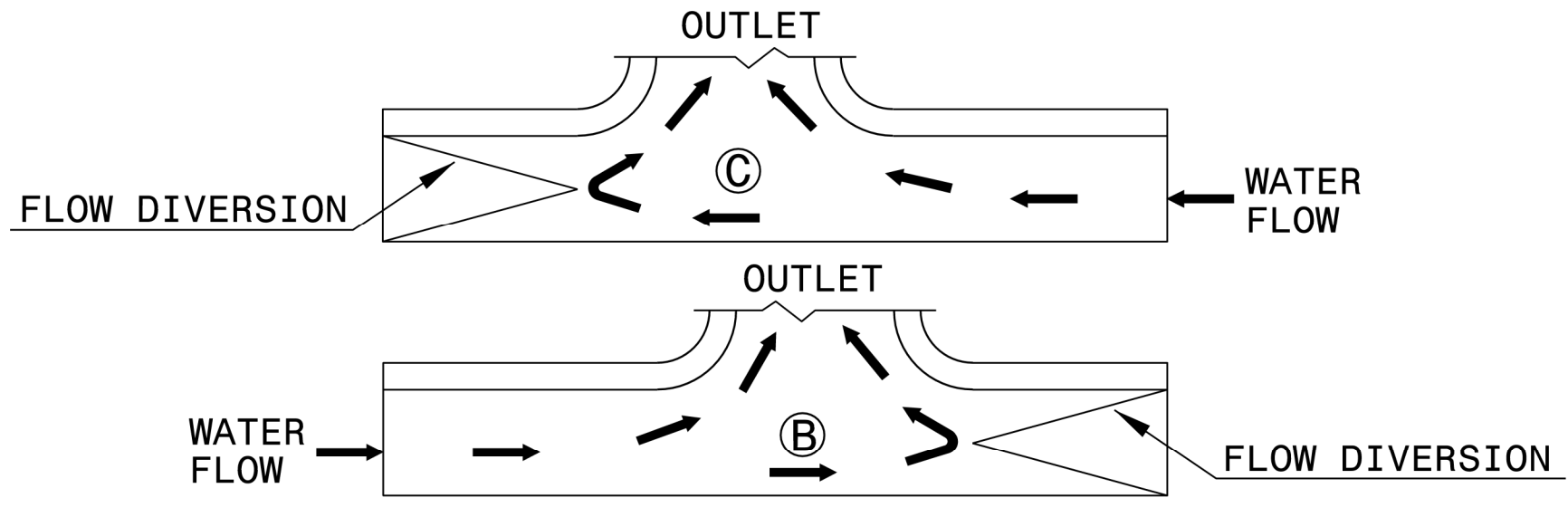
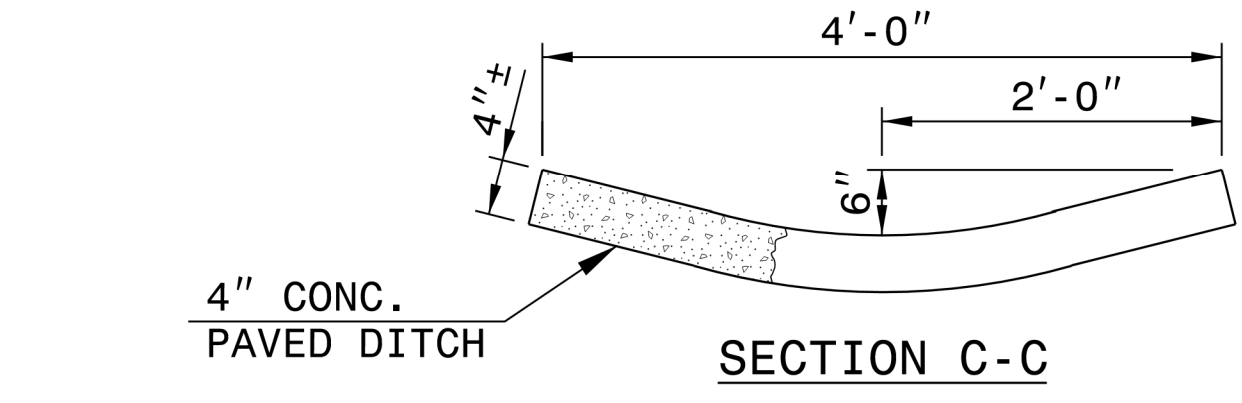
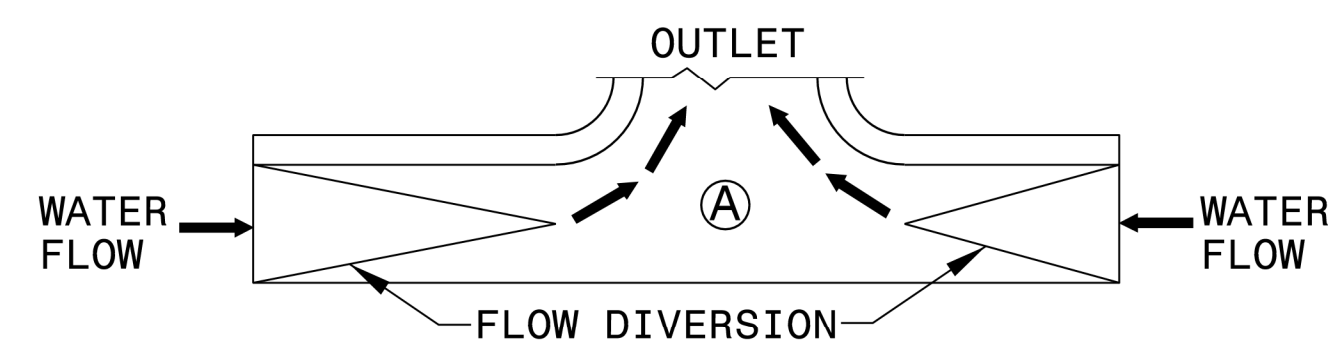
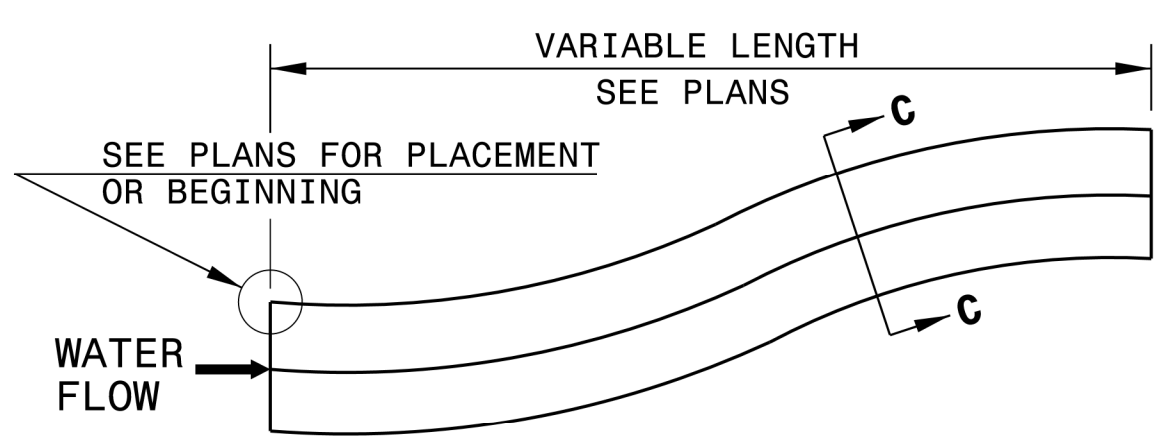
ENGLISH DETAIL DRAWING FOR  
**MODIFIED CONCRETE FLUME**  
WITH CONCRETE OR RIP-RAP DITCH

STATE OF  
NORTH CAROLINA  
DEPT. OF TRANSPORTATION  
DIVISION OF HIGHWAYS  
RALEIGH, N.C.

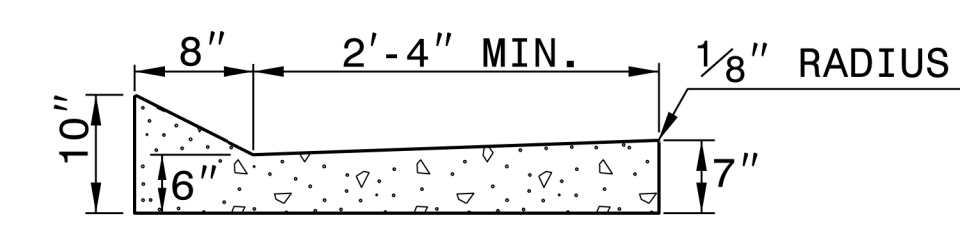
ENGLISH DETAIL DRAWING FOR  
**MODIFIED CONCRETE FLUME**  
WITH CONCRETE OR RIP-RAP DITCH



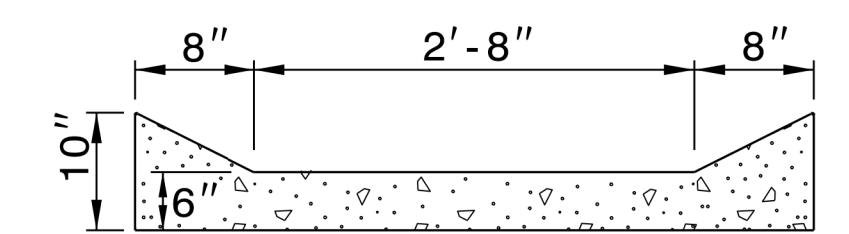
PLAN VIEW



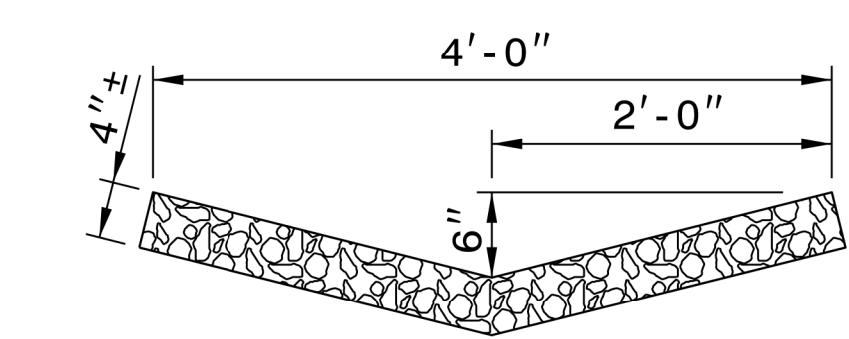
FLOW DIVERSION EXAMPLES



SECTION A-A



SECTION B-B



RIP-RAP LINED DITCH

- NOTES:
- CONSTRUCT MODIFIED CONCRETE FLUME AND SHOULDER BERM GUTTER IN ACCORDANCE WITH THIS DETAIL.
  - CONSTRUCT CONCRETE DITCH IN ACCORDANCE WITH STD. DWG. NO. 850.01.
  - CONSTRUCT RIP RAP LINED DITCH IN ACCORDANCE WITH THIS DETAIL, IF CALLED FOR IN PLANS.
  - CONCRETE OR RIP RAP LINED DITCH SHALL BE THE TYPE AND LENGTH SPECIFIED BY THE ROADWAY PLANS. THE DITCH SHALL TERMINATE AS SHOWN ON THE PLANS. IF NO TERMINATION IS INDICATED PLACE RIP-RAP AT THE END OF THE DITCH AS INDICATED BY STD. DWG. 876.02 FOR AN 18" PIPE. TRANSITIONS FROM THE DITCH TO TERMINATION SHALL BE AS DIRECTED BY THE ENGINEER.
  - MODIFICATIONS SHALL BE AS DICTATED BY SITE CONDITIONS AND DIRECTED BY THE ENGINEER.

SHEET 1 OF 1  
MODFLMDTCH

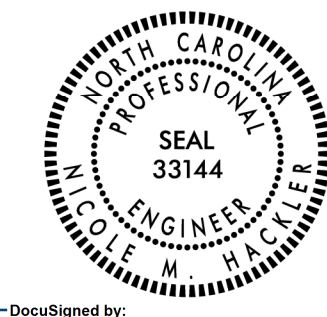
SHEET 1 OF 1  
MODFLMDTCH

DOCUMENT NOT CONSIDERED FINAL  
UNLESS ALL SIGNATURES COMPLETED

**CONTRACT STANDARDS  
AND DEVELOPMENT UNIT**  
Office 919-707-6950 FAX 919-250-4119

**SEE PLATE FOR TITLE**

ORIGINAL BY: E.E. Ward DATE: Apr. 2002  
 MODIFIED BY: J.S. Howerton DATE: October 2017  
 CHECKED BY: DATE:  
 FILE SPEC.: w:\details\stand\modifiedflume.dgn



DocuSigned by:  
Nicole M. Heckler 10/5/2023