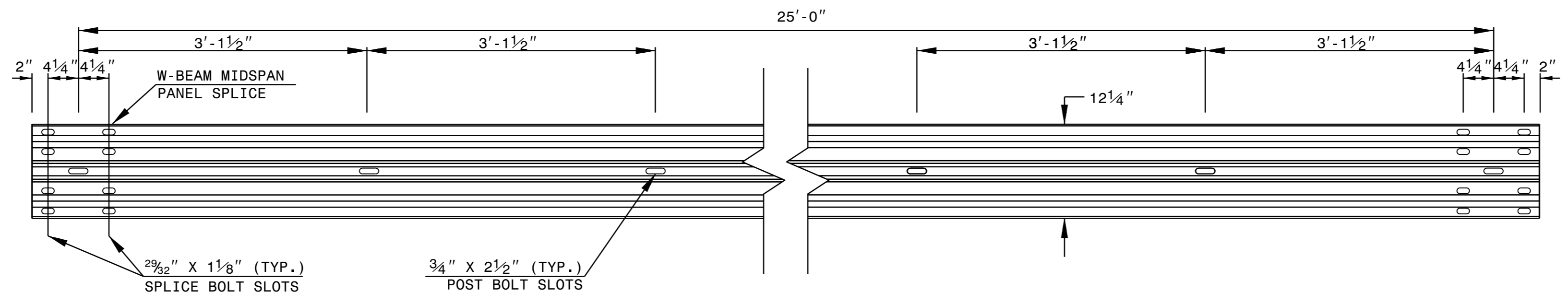


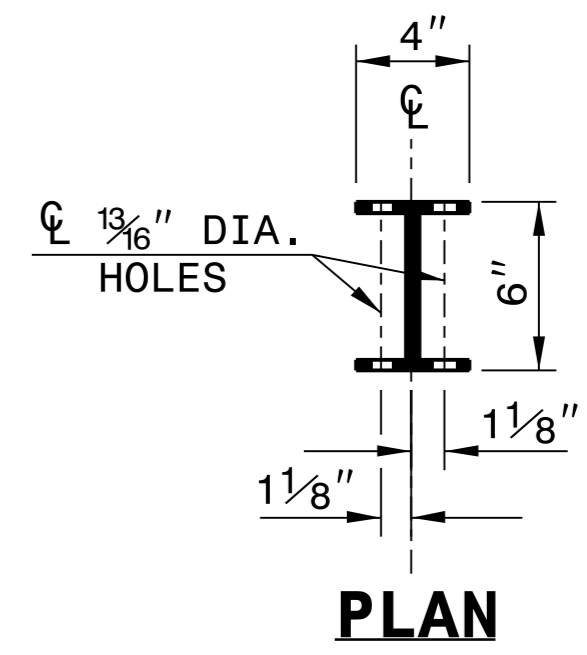
STATE OF NORTH CAROLINA
DEPT. OF TRANSPORTATION
DIVISION OF HIGHWAYS
RALEIGH, N.C.

ROADWAY DETAIL DRAWING FOR
GUARDRAIL INSTALLATION

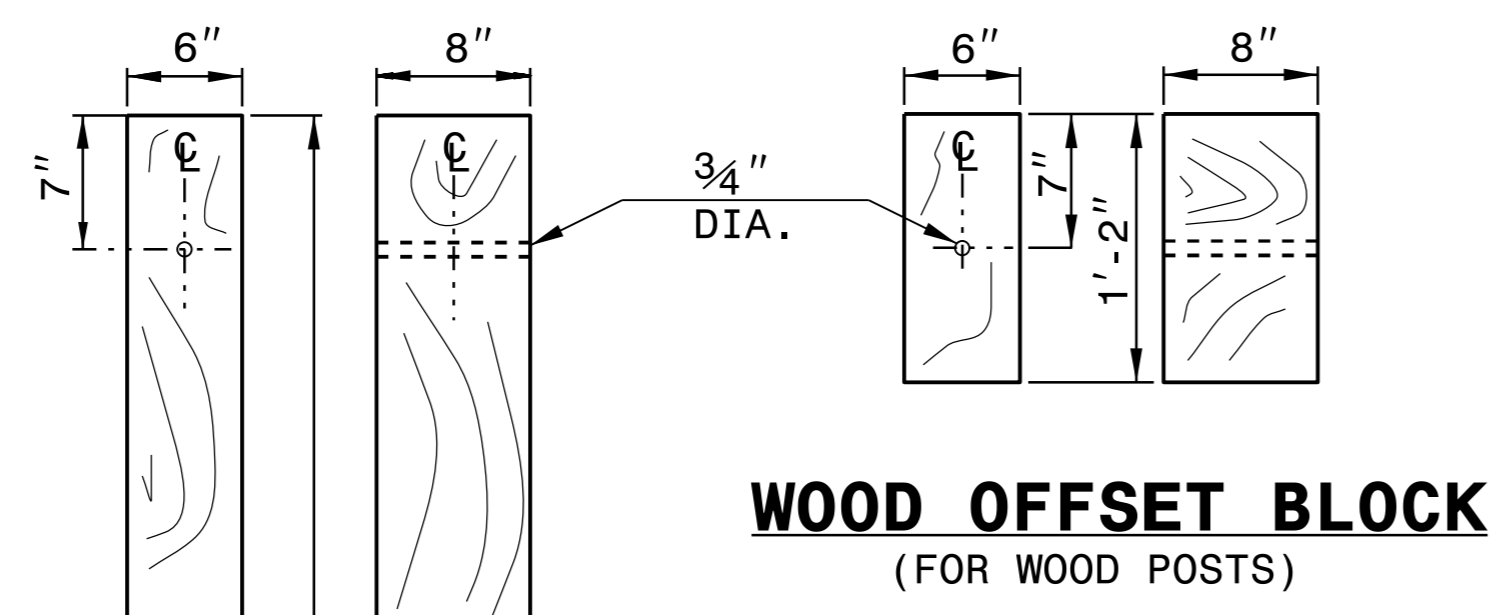
SHEET 6 OF 8
862D02



STANDARD W-BEAM GUARDRAIL



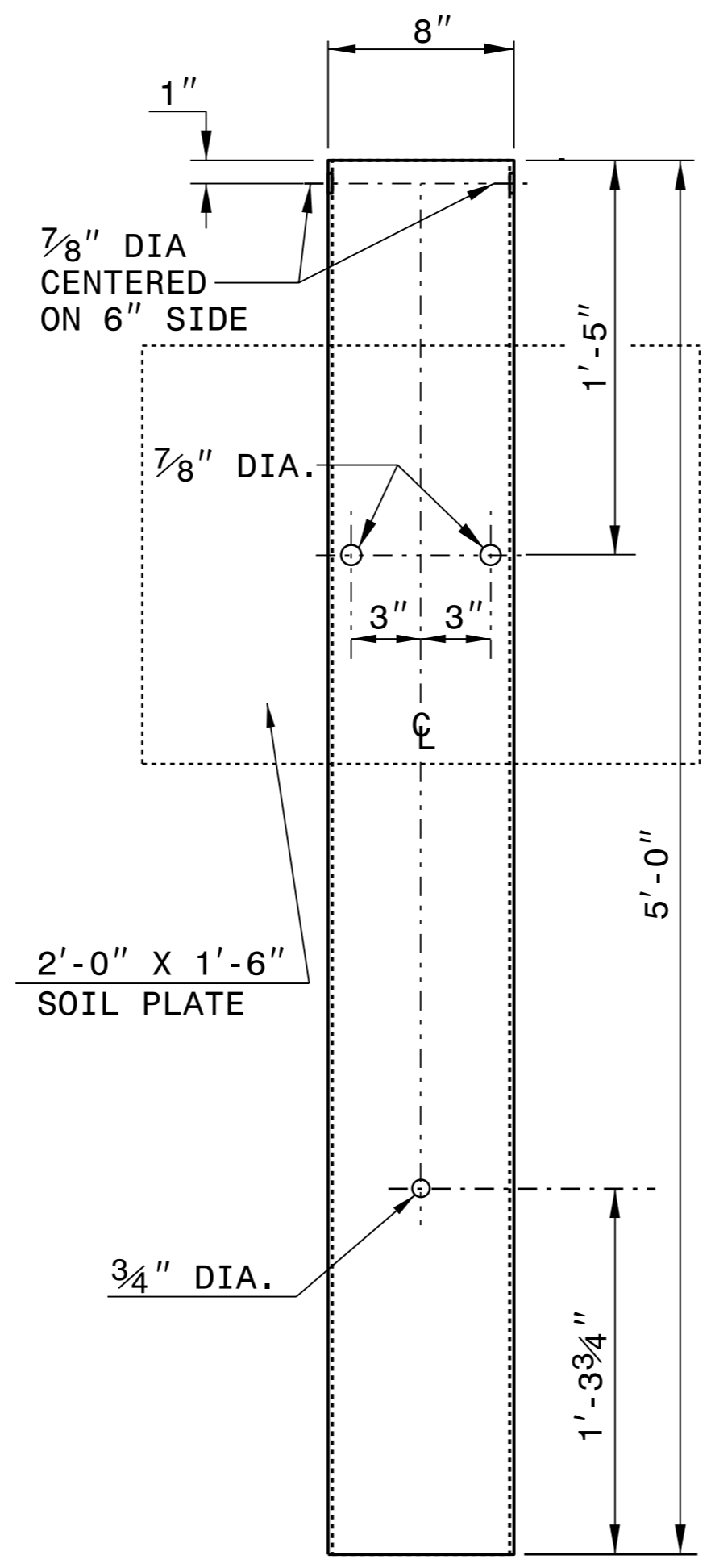
PLAN



**WOOD OFFSET BLOCK
(FOR WOOD POSTS)**

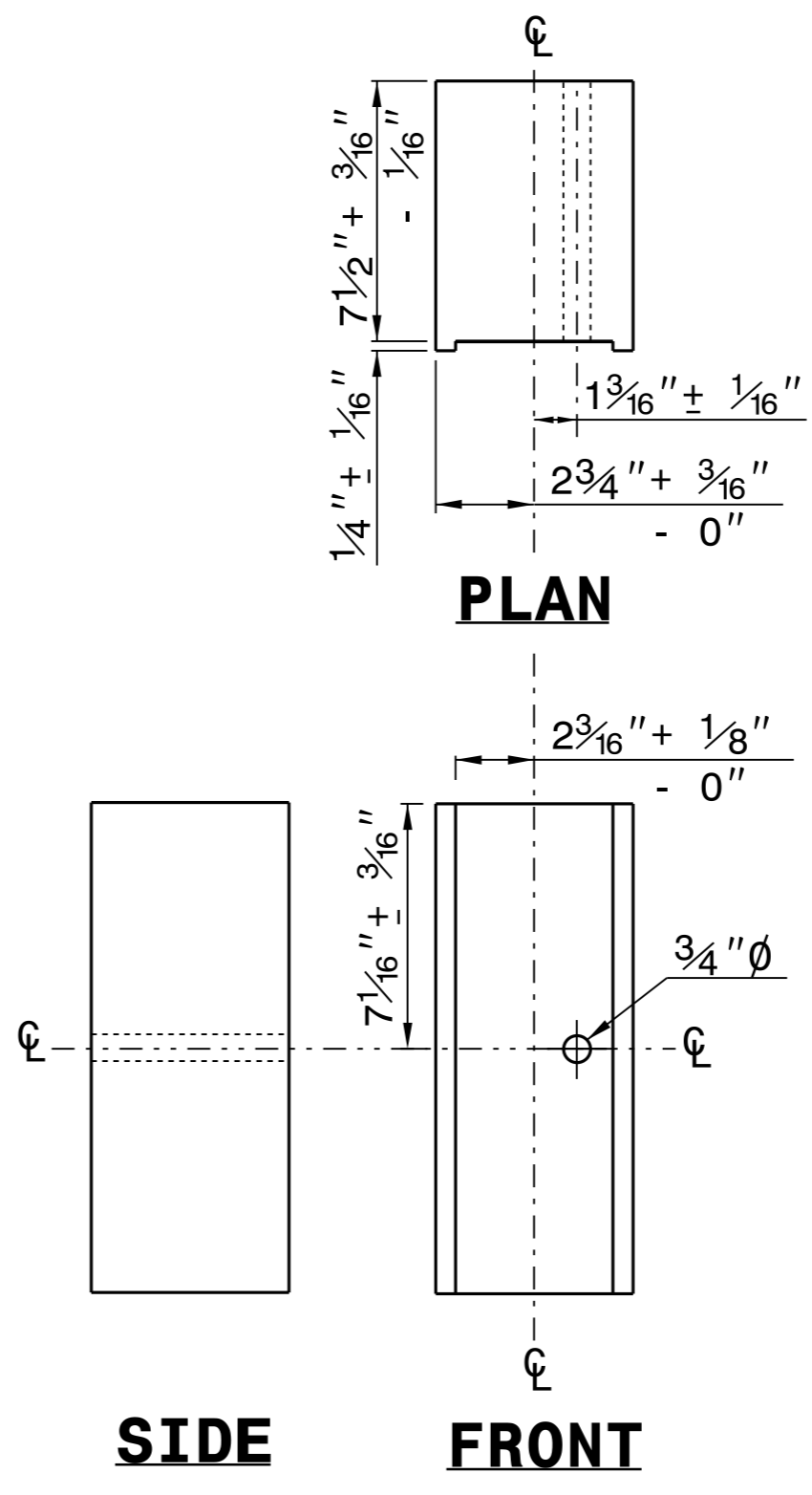
**STANDARD
LINE POST**

**SHORT WOOD
BREAKAWAY POST**



**STEEL TUBE
TS 6"x8"x0.1875"**

SYSTEM PARTS

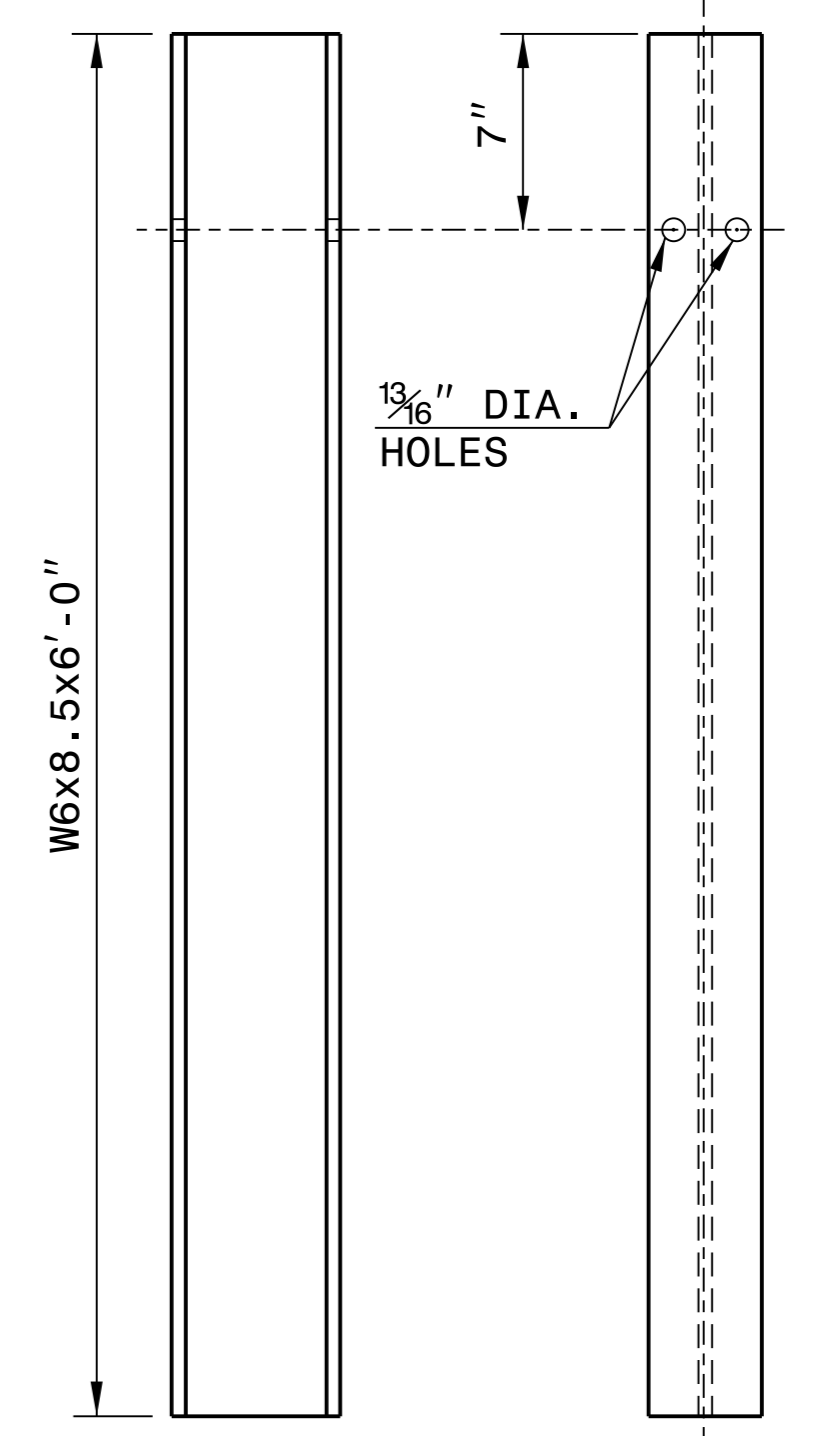


PLAN

SIDE

FRONT

**ROUTED
OFFSET BLOCK**



SIDE

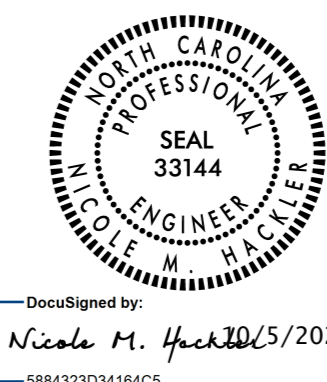
FRONT

"W6" STEEL POST

STATE OF NORTH CAROLINA
DEPT. OF TRANSPORTATION
DIVISION OF HIGHWAYS
RALEIGH, N.C.

ROADWAY DETAIL DRAWING FOR
GUARDRAIL INSTALLATION

SHEET 6 OF 8
862D02



DocuSigned by:
Nicole M. Heck 10/15/2023
6884323034164C5

**CONTRACTS STANDARDS
AND DEVELOPMENT UNIT**
Office 919-707-6950 FAX 919-250-4119

SEE TITLE BLOCK

ORIGINAL BY: J. HOWERTON	DATE: 3-7-2018
MODIFIED BY:	DATE:
CHECKED BY:	DATE:
FILE SPEC.:	