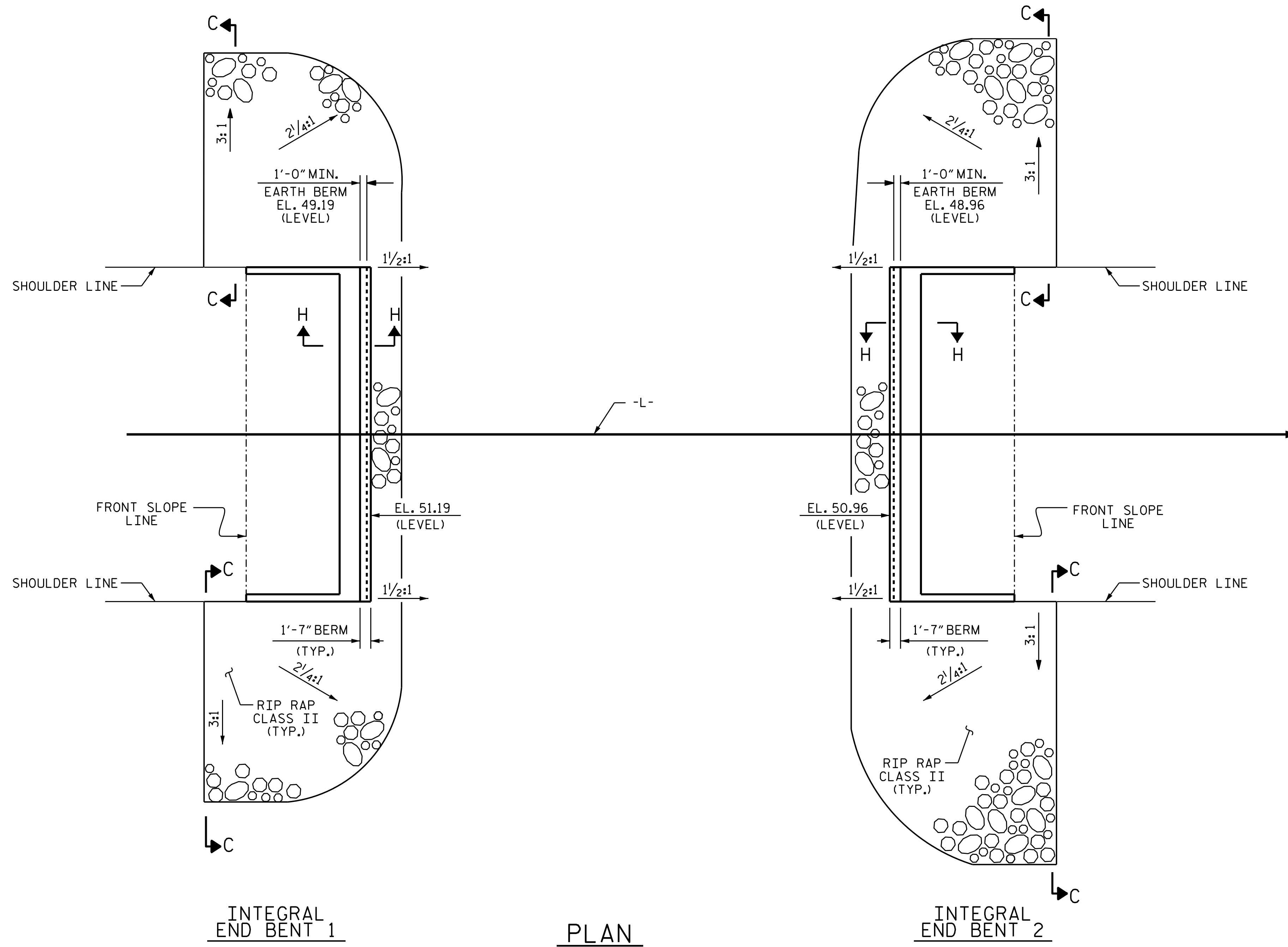


NOTES :  
FOR BERM WIDTH DIMENSIONS, SEE GENERAL DRAWING.

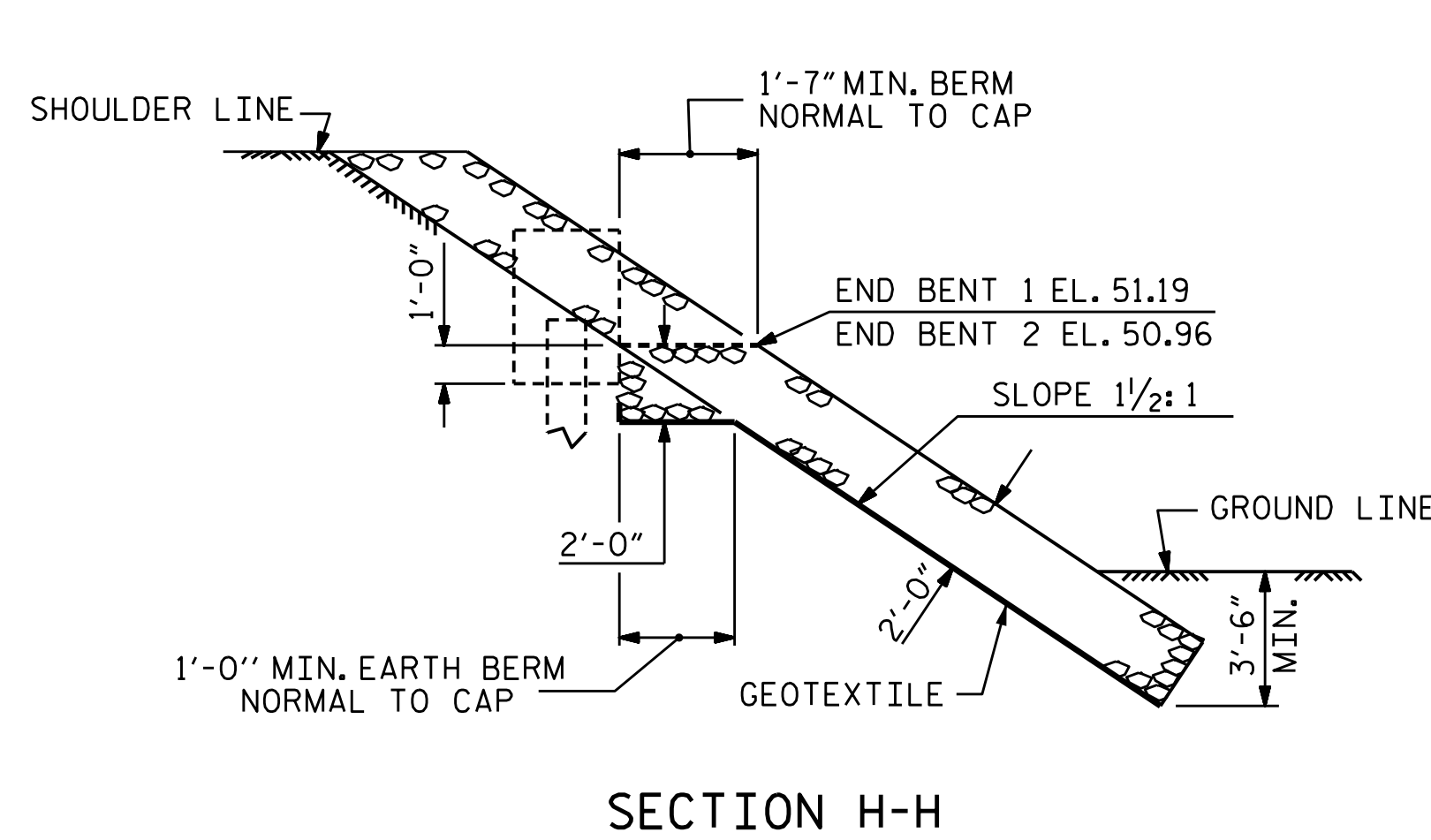


INTEGRAL  
END BENT 1

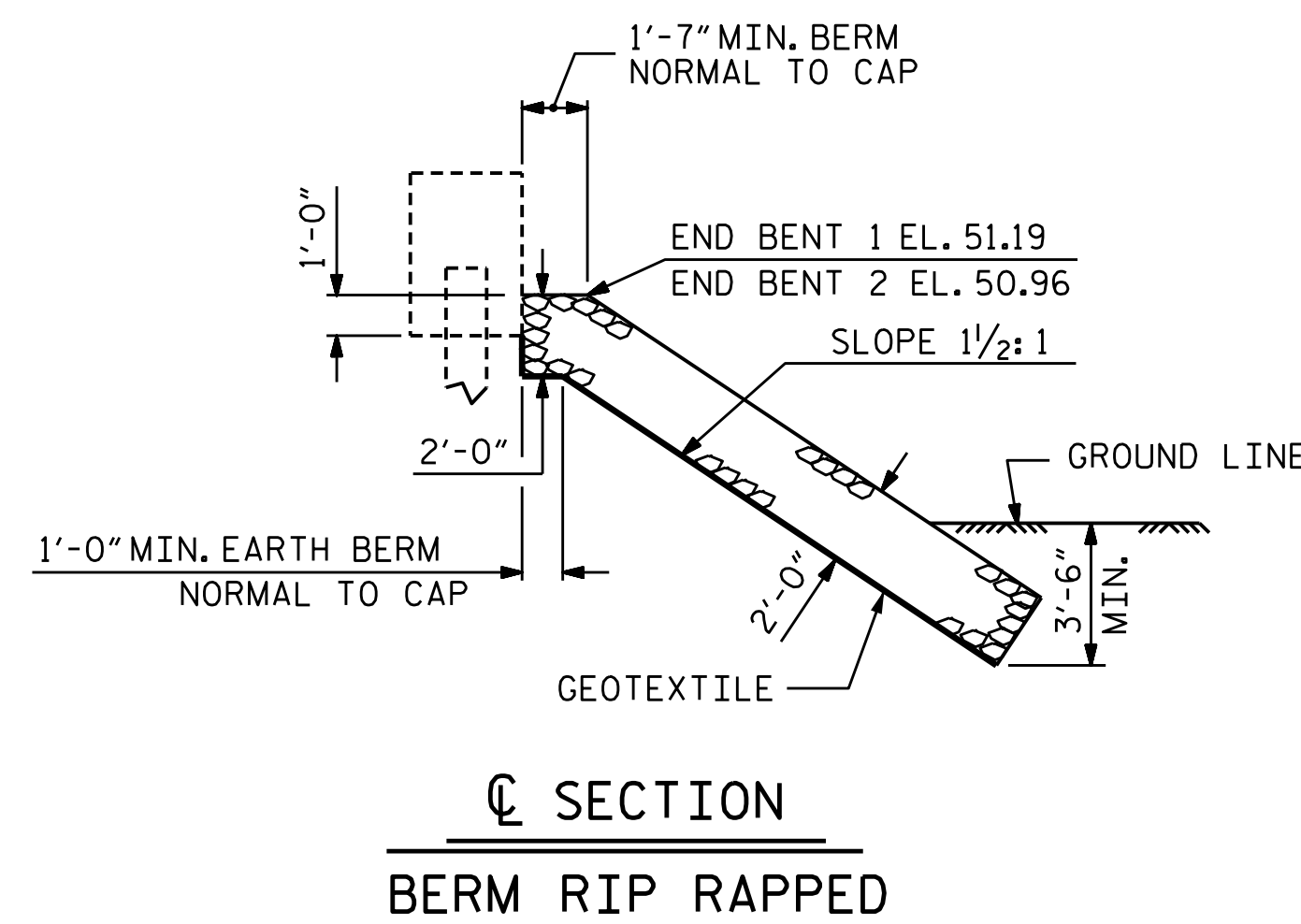
PLAN

INTEGRAL  
END BENT 2

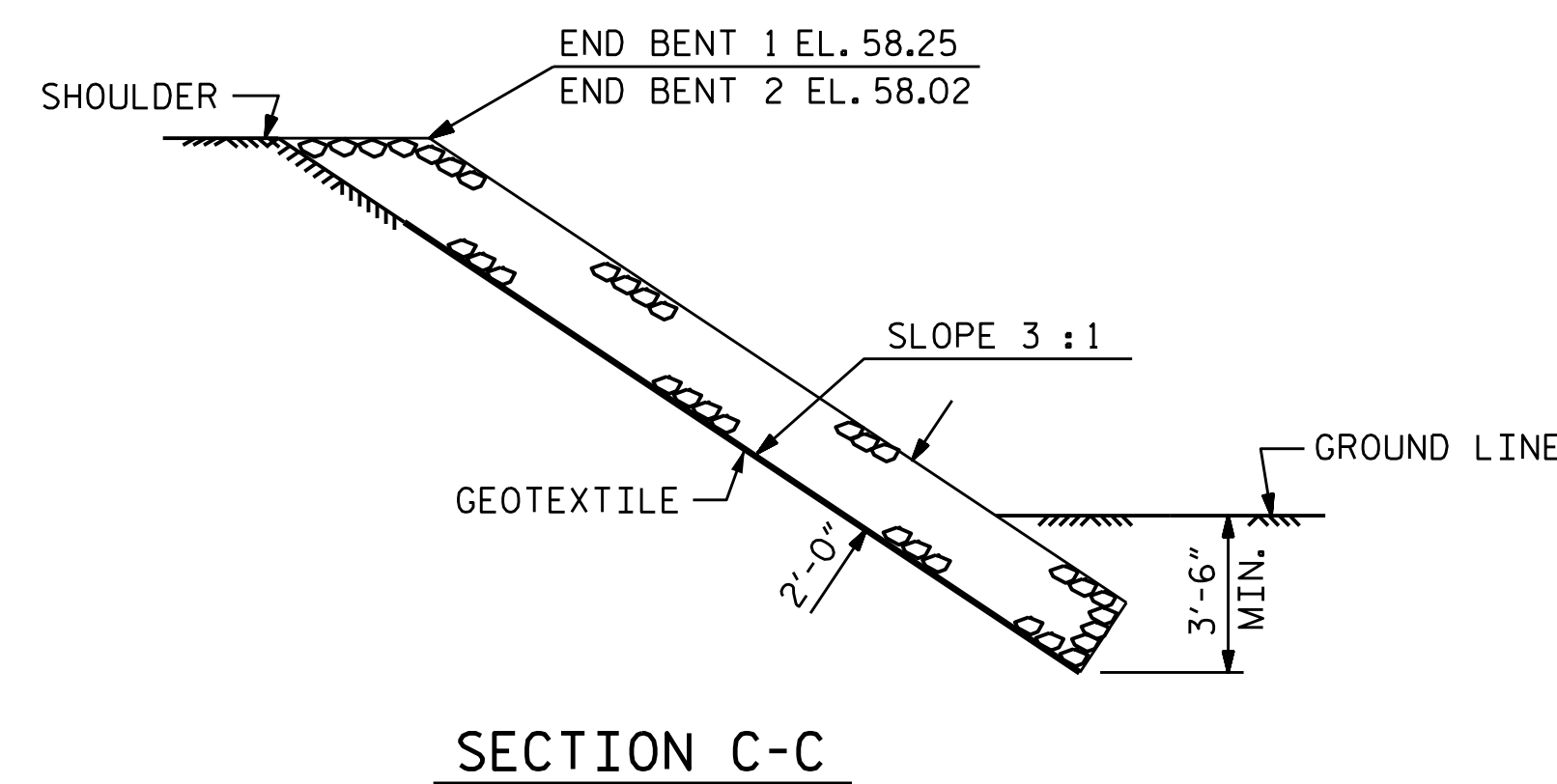
ESTIMATED QUANTITIES		
BRIDGE @ STA. 24+30.00-L-	RIP RAP CLASS II (2'-0" THICK)	GEOTEXTILE FOR DRAINAGE
	TONS	SQUARE YARDS
END BENT 1	265	295
END BENT 2	260	290



SECTION H-H

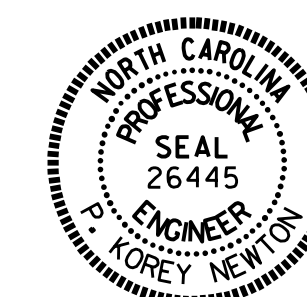


SECTION C-C  
BERM RIP RAPPED



SECTION C-C

PROJECT NO. **BR-0046**  
**SAMPSON** COUNTY  
STATION: **24+30.00 -L-**



STATE OF NORTH CAROLINA  
DEPARTMENT OF TRANSPORTATION  
RALEIGH

**RIP RAP DETAILS**

DRAWN BY : S. T. SANDOR DATE : 7/20/22  
CHECKED BY : M. K. BEARD DATE : 1/4/23  
DESIGN ENGINEER OF RECORD: DATE :

DOCUMENT NOT CONSIDERED  
FINAL UNLESS ALL  
SIGNATURES COMPLETED

REVISIONS						SHEET NO. S-29 TOTAL SHEETS 31
NO.	BY:	DATE:	NO.	BY:	DATE:	
1			3			
2			4			