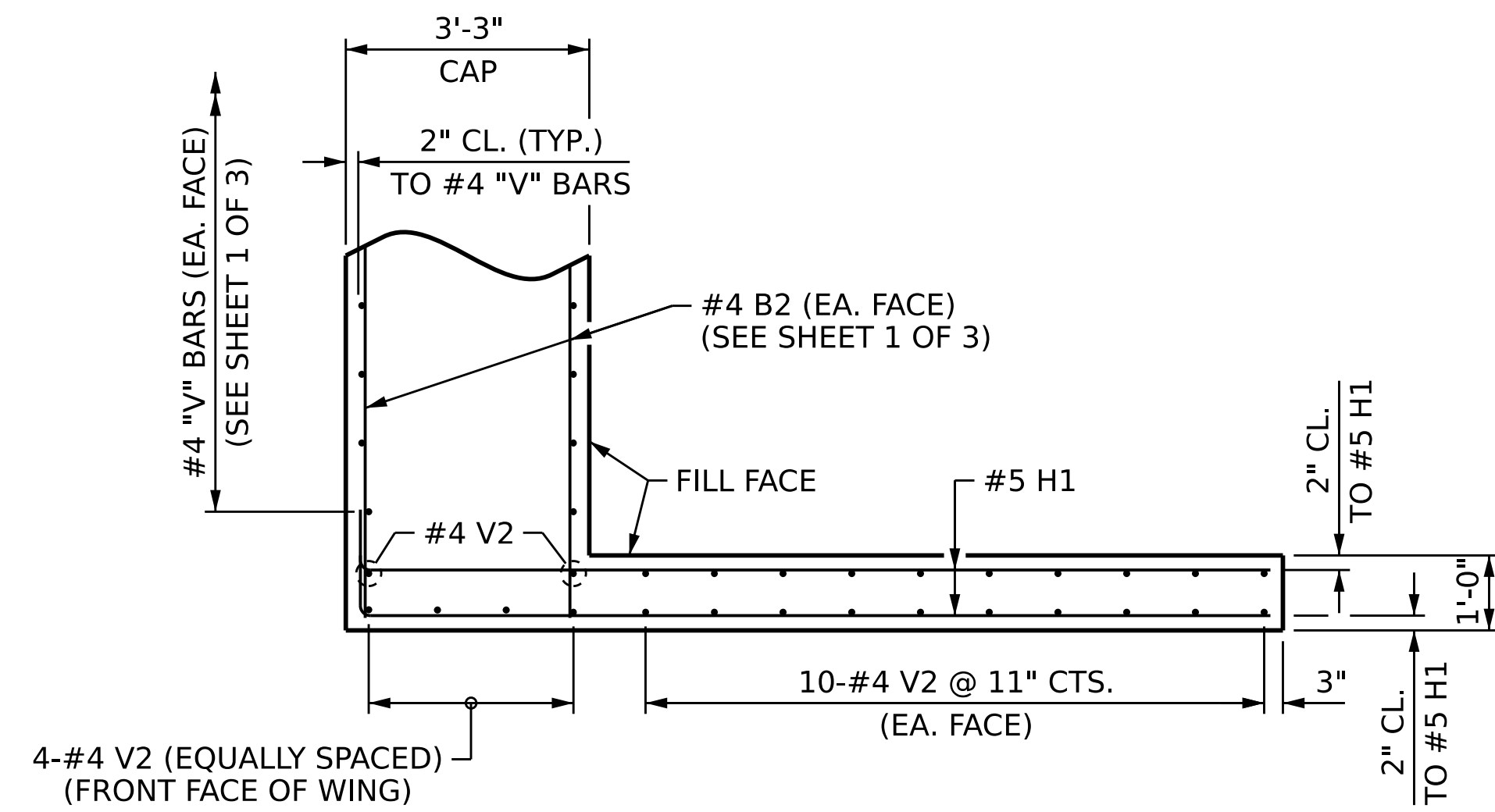
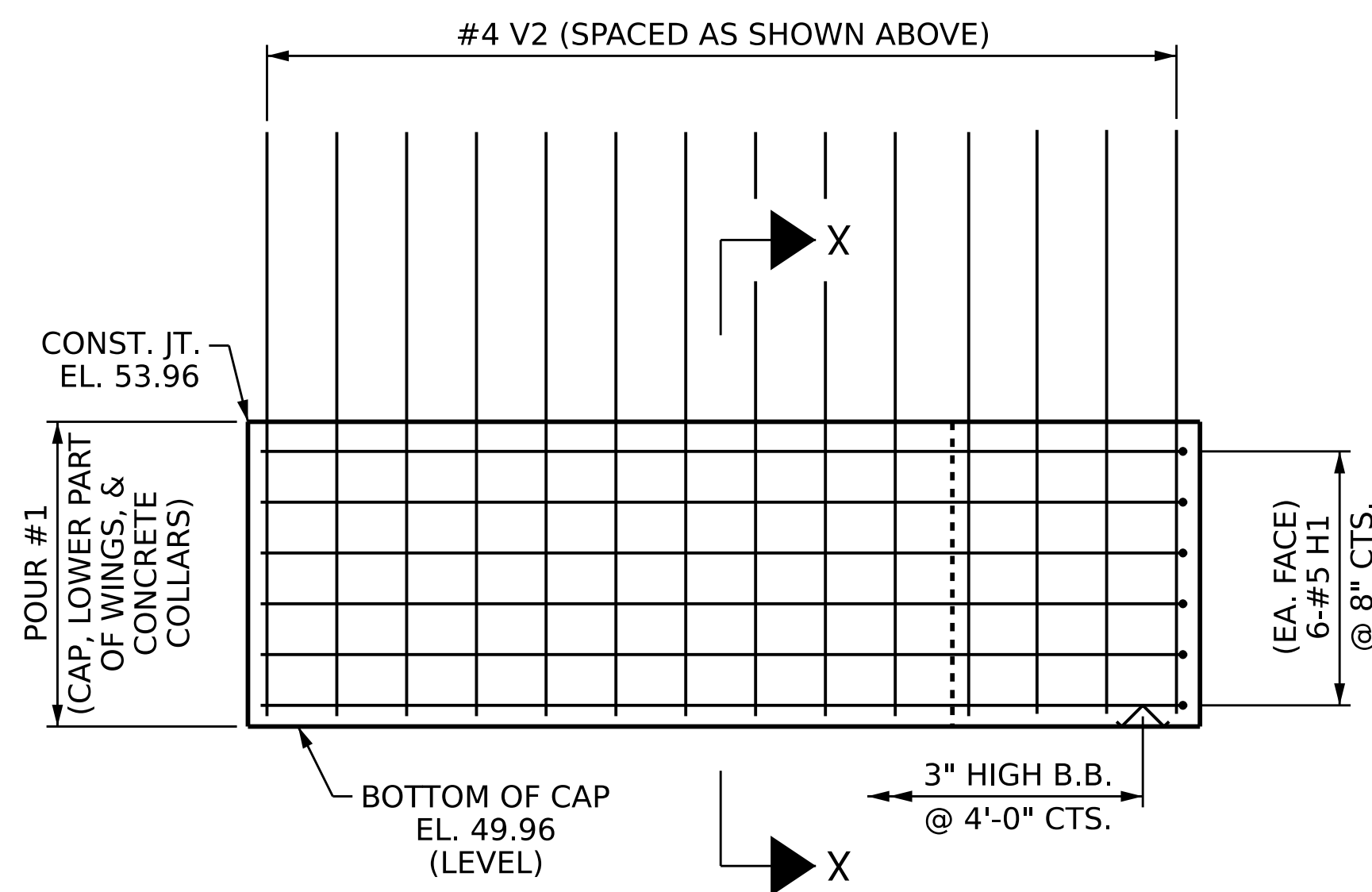


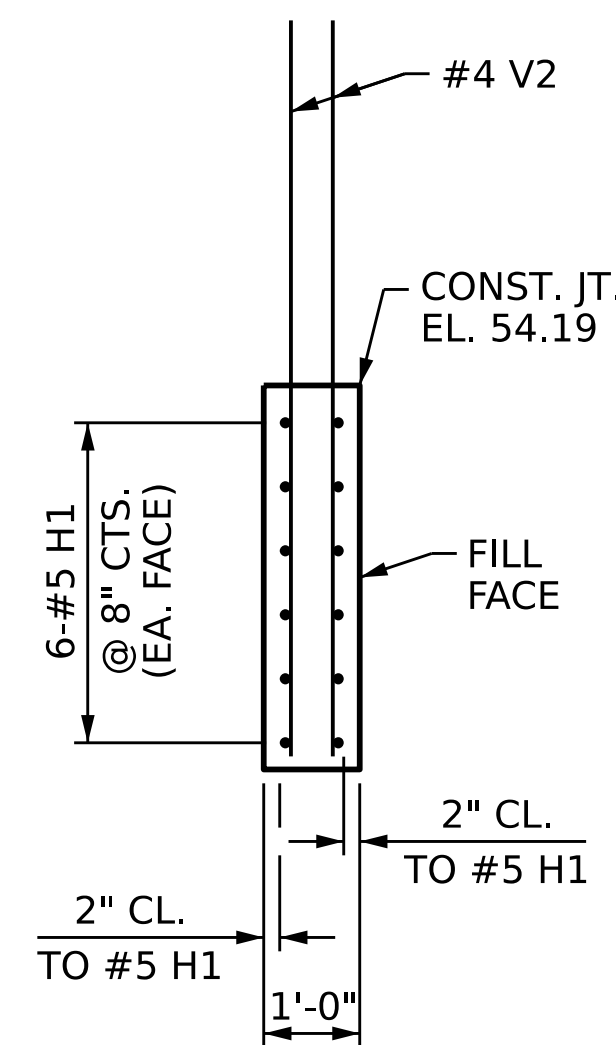
PLAN OF WING W1



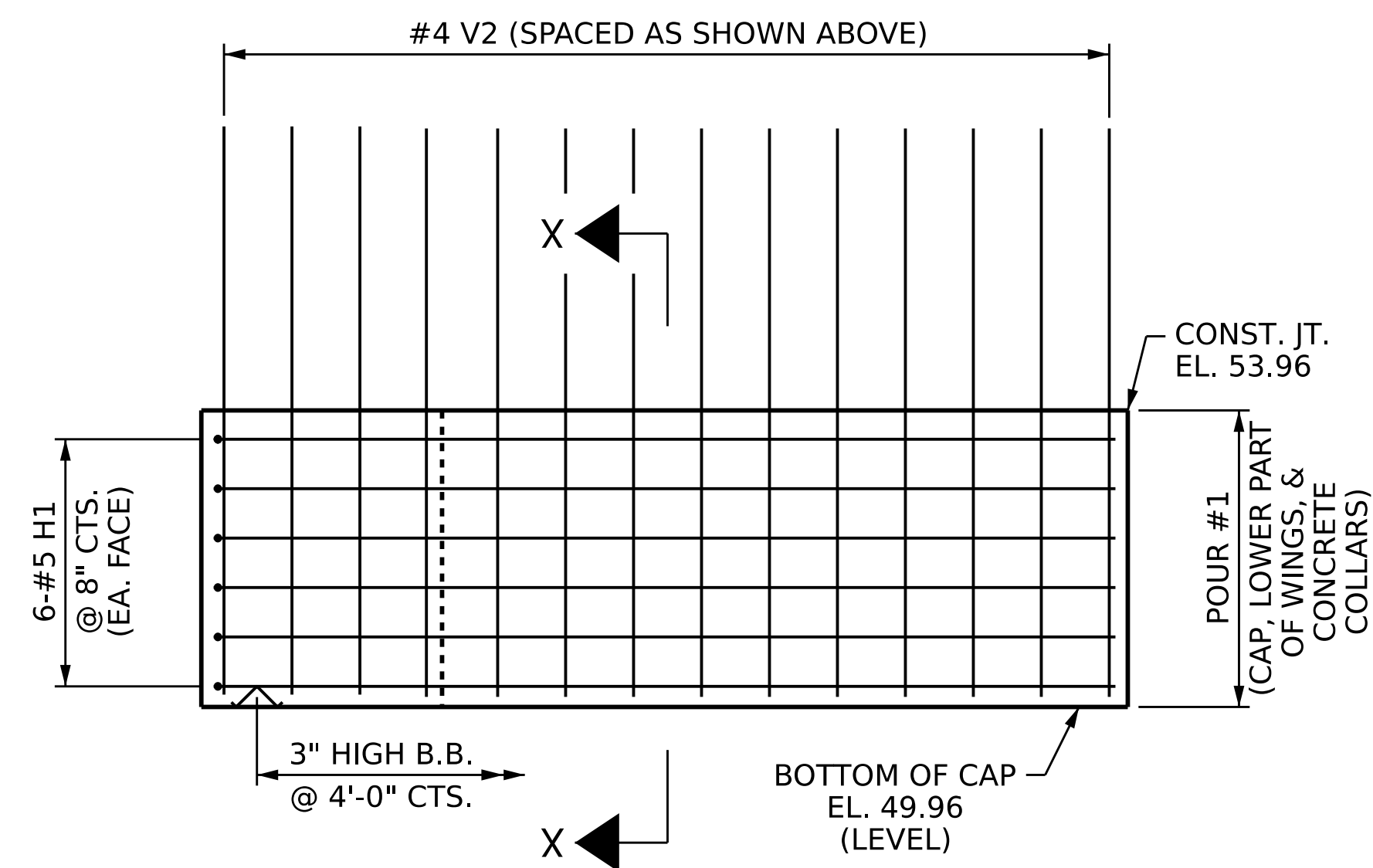
PLAN OF WING W2



ELEVATION OF WING W1



SECTION X-X



ELEVATION OF WING W2

PROJECT NO. **BR-0046**
SAMPSON COUNTY
 STATION: **24+30.00 -L-**

SHEET 2 OF 3



Drawn/Signed by:
P. Corey Newton
 10/09/2023

STATE OF NORTH CAROLINA
 DEPARTMENT OF TRANSPORTATION
 RALEIGH

SUBSTRUCTURE

INTEGRAL END BENT 2

DOCUMENT NOT CONSIDERED
 FINAL UNLESS ALL
 SIGNATURES COMPLETED

REVISIONS						SHEET NO.
NO.	BY:	DATE:	NO.	BY:	DATE:	S-27
1			3			TOTAL SHEETS
2			4			31

DRAWN BY : **P. K. NEWTON** DATE : **8/31/23**
 CHECKED BY : **P. D. BRYANT** DATE : **9/12/23**
 DESIGN ENGINEER OF RECORD : **P. D. BRYANT** DATE : **9/12/23**