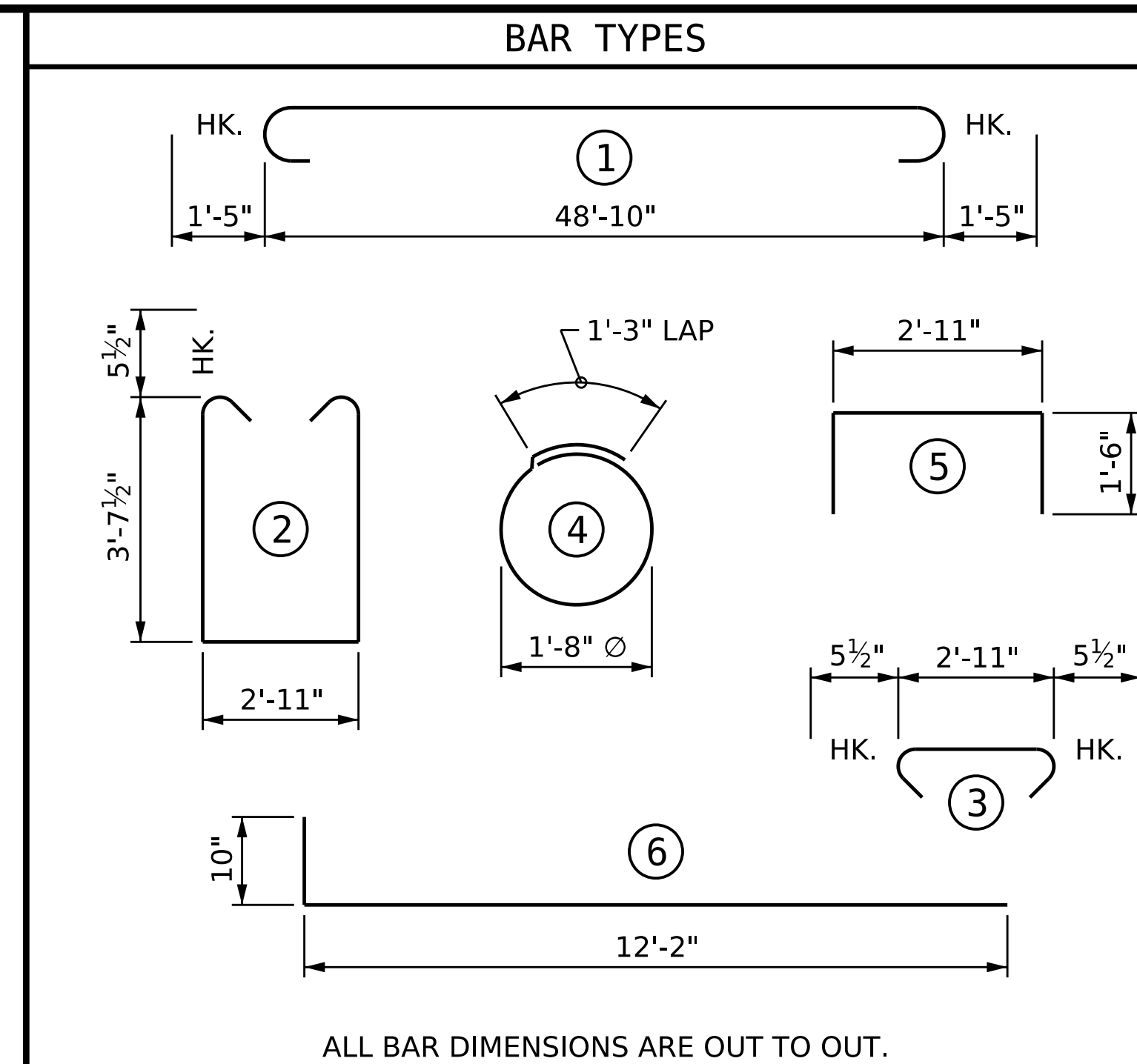
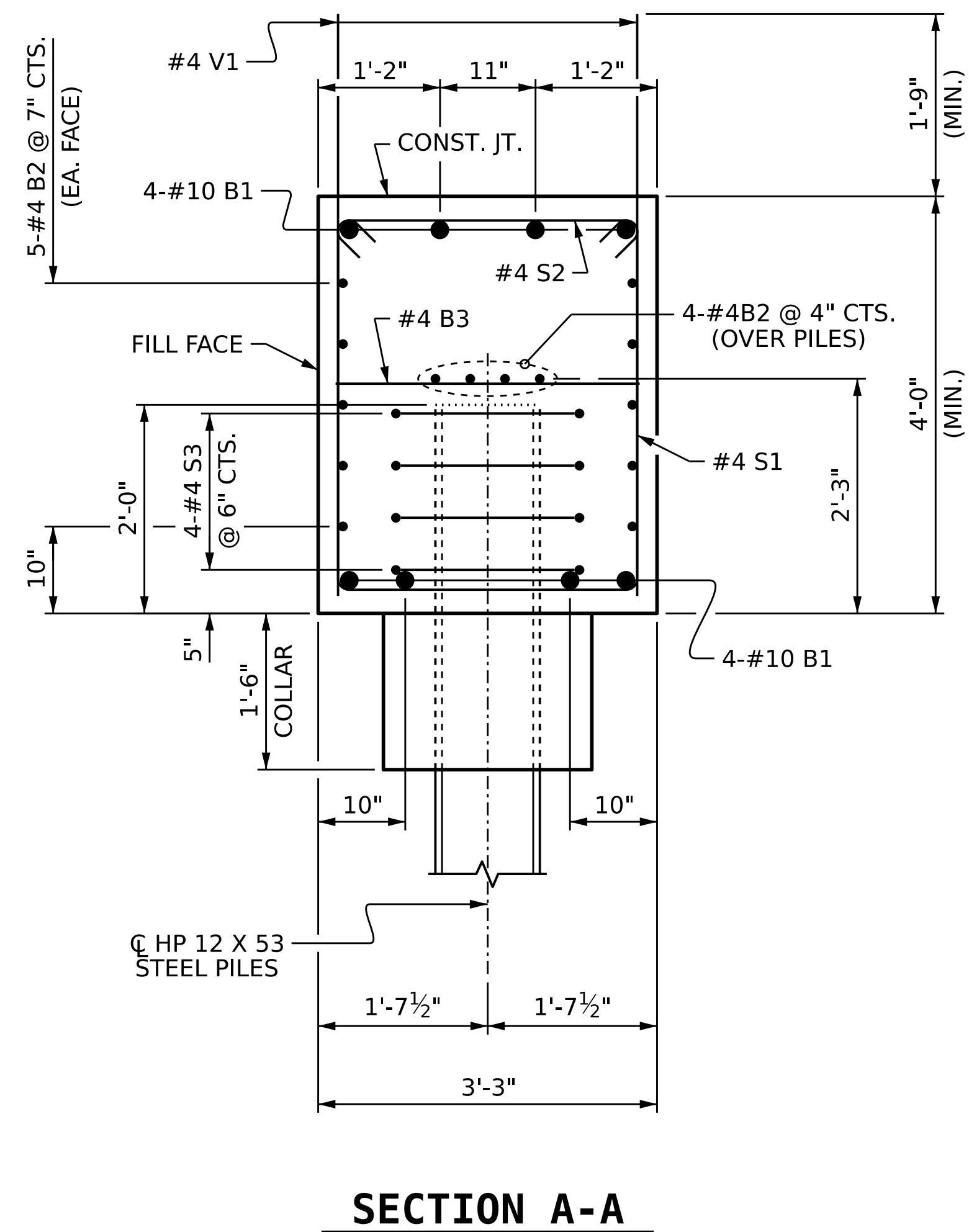


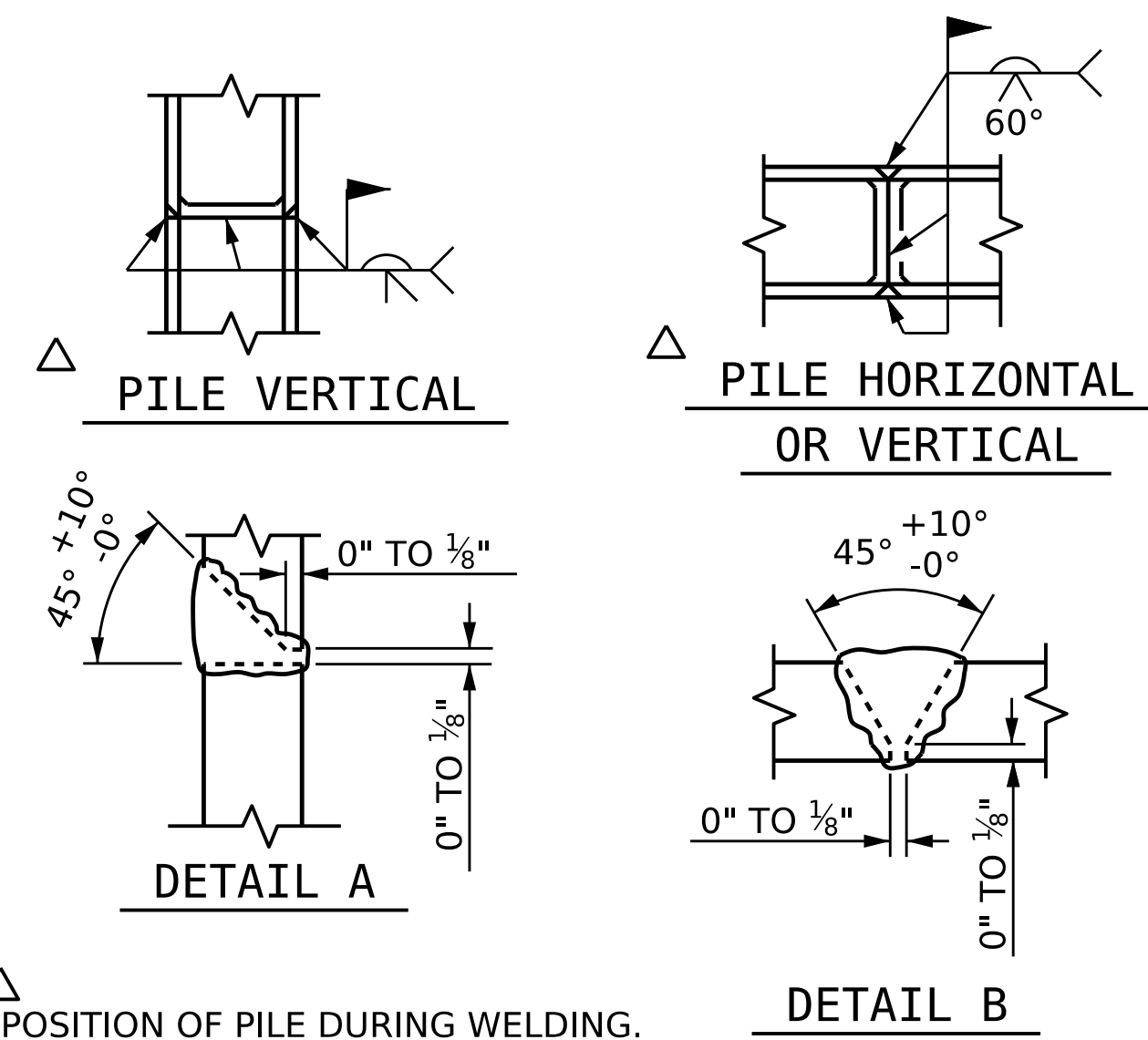
CORROSION PROTECTION FOR STEEL PILES DETAIL



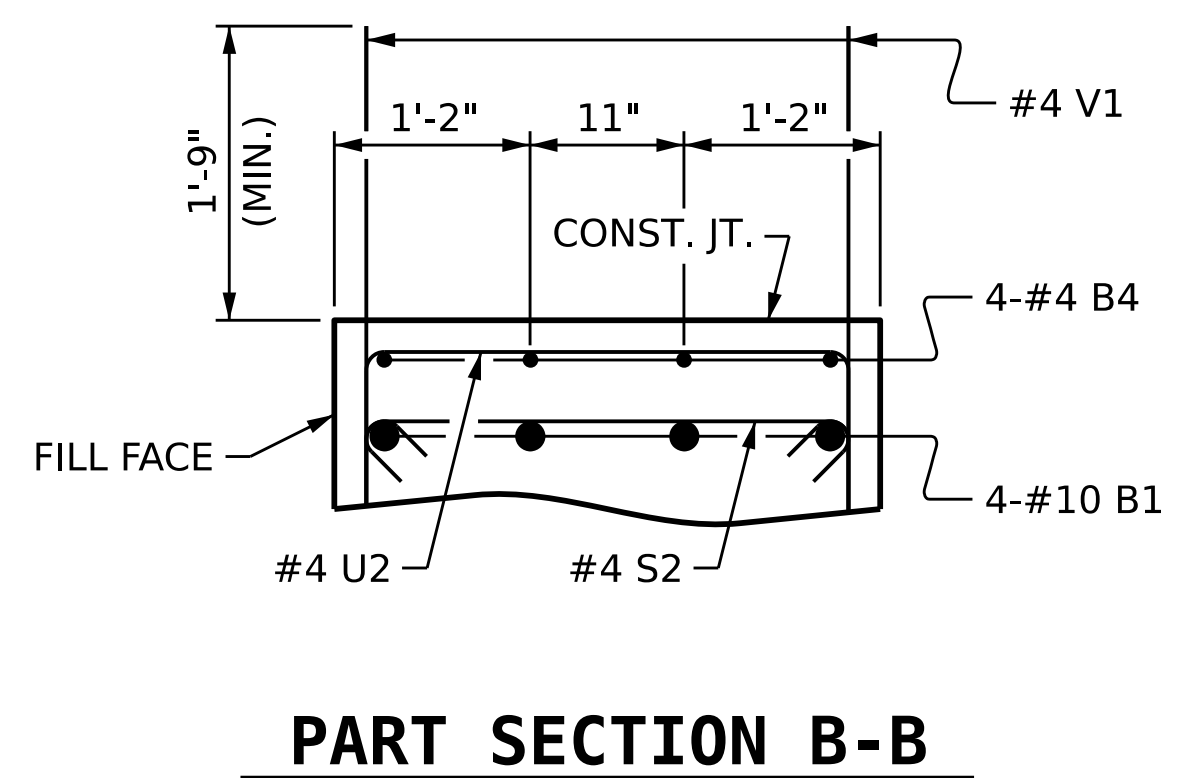
BILL OF MATERIAL					
END BENT 1					
BAR	NO.	SIZE	TYPE	LENGTH	WEIGHT
B1	8	#10		51'-8"	1,779
B2	28	#4	STR	25'-9"	482
B3	13	#4	STR	2'-11"	25
B4	4	#4	STR	2'-8"	7
H1	24	#5	6	13'-0"	325
S1	53	#4	2	11'-1"	392
S2	53	#4	3	3'-10"	136
S3	24	#4	4	6'-6"	104
U1	3	#4	5	5'-11"	12
V1	79	#4	STR	5'-7"	295
V2	62	#4	STR	7'-8"	318
REINFORCING STEEL					3,875 LBS.
CLASS A CONCRETE					
POUR 1	(CAP, COLLARS & LOWER WINGS)				26.7 C. Y.
TOTAL					26.7 C. Y.



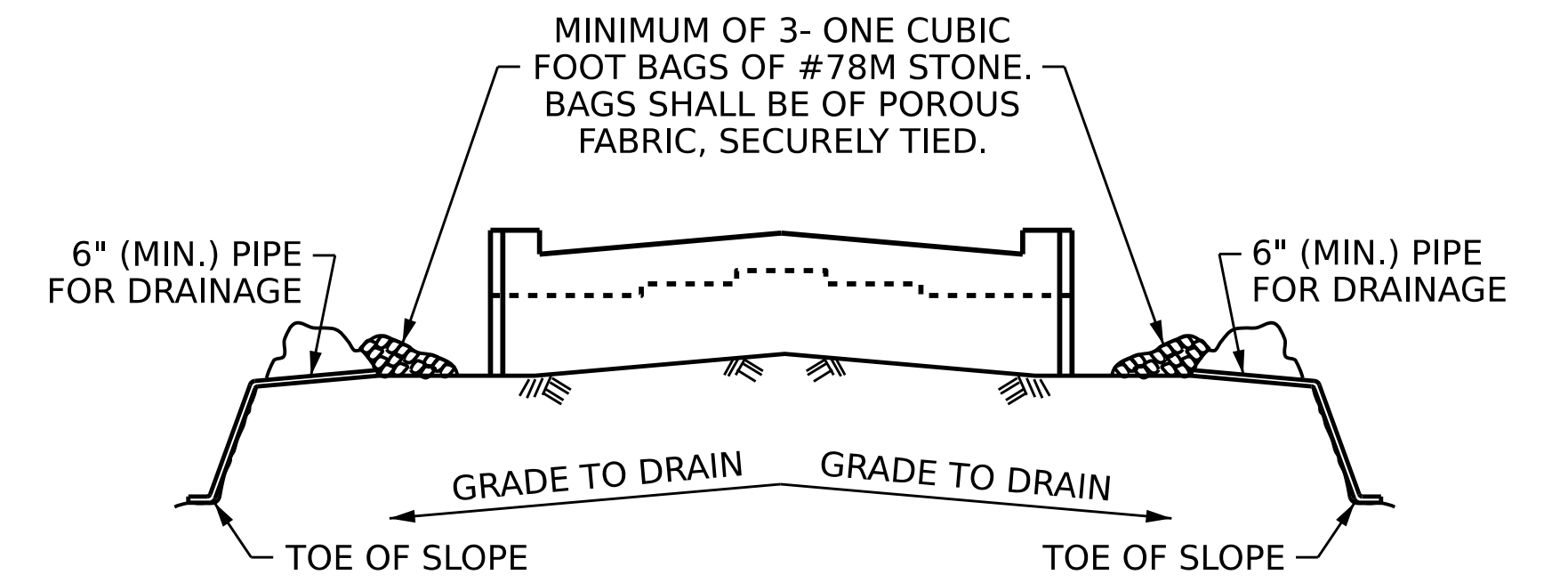
SECTION A-A



PILE SPLICE DETAILS



PART SECTION B-B



BAGGED STONE AND PIPE SHALL BE PLACED IMMEDIATELY AFTER COMPLETION OF END BENT EXCAVATION. PIPE MAY BE EITHER CONCRETE, CORRUGATED STEEL, CORRUGATED ALUMINUM ALLOY, OR CORRUGATED PLASTIC. PERFORATED PIPE WILL NOT BE ALLOWED.

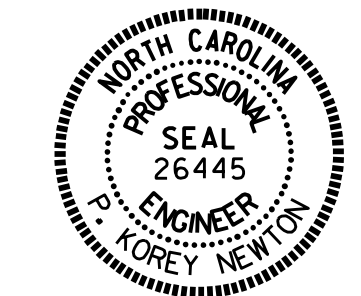
BAGGED STONE SHALL REMAIN IN PLACE UNTIL THE ENGINEER DIRECTS THAT IT BE REMOVED. THE CONTRACTOR SHALL REMOVE AND DISPOSE OF SILT ACCUMULATIONS AT BAGGED STONE WHEN SO DIRECTED BY THE ENGINEER. BAGS SHALL BE REMOVED AND REPLACED WHENEVER THE ENGINEER DETERMINES THAT THEY HAVE DETERIORATED AND LOST THEIR EFFECTIVENESS.

NO SEPARATE PAYMENT WILL BE MADE FOR THIS WORK AND THE ENTIRE COST OF THIS WORK SHALL BE INCLUDED IN THE UNIT CONTRACT PRICE BID FOR THE SEVERAL PAY ITEMS.

TEMPORARY DRAINAGE AT END BENT

PROJECT NO. **BR-0046**
SAMPSON COUNTY
 STATION: **24+30.00 -L-**
 SHEET 3 OF 3

STATE OF NORTH CAROLINA
 DEPARTMENT OF TRANSPORTATION
 RALEIGH
 SUBSTRUCTURE
INTEGRAL END BENT 1



DRAWN BY : P. K. NEWTON DATE : 9/6/23
 CHECKED BY : P. D. BRYANT DATE : 9/12/23
 DESIGN ENGINEER OF RECORD : P. D. BRYANT DATE : 9/12/23

DOCUMENT NOT CONSIDERED FINAL UNLESS ALL SIGNATURES COMPLETED

REVISIONS					
NO.	BY:	DATE:	NO.	BY:	DATE:
1			3		
2			4		

SHEET NO. S-22
 TOTAL SHEETS 31