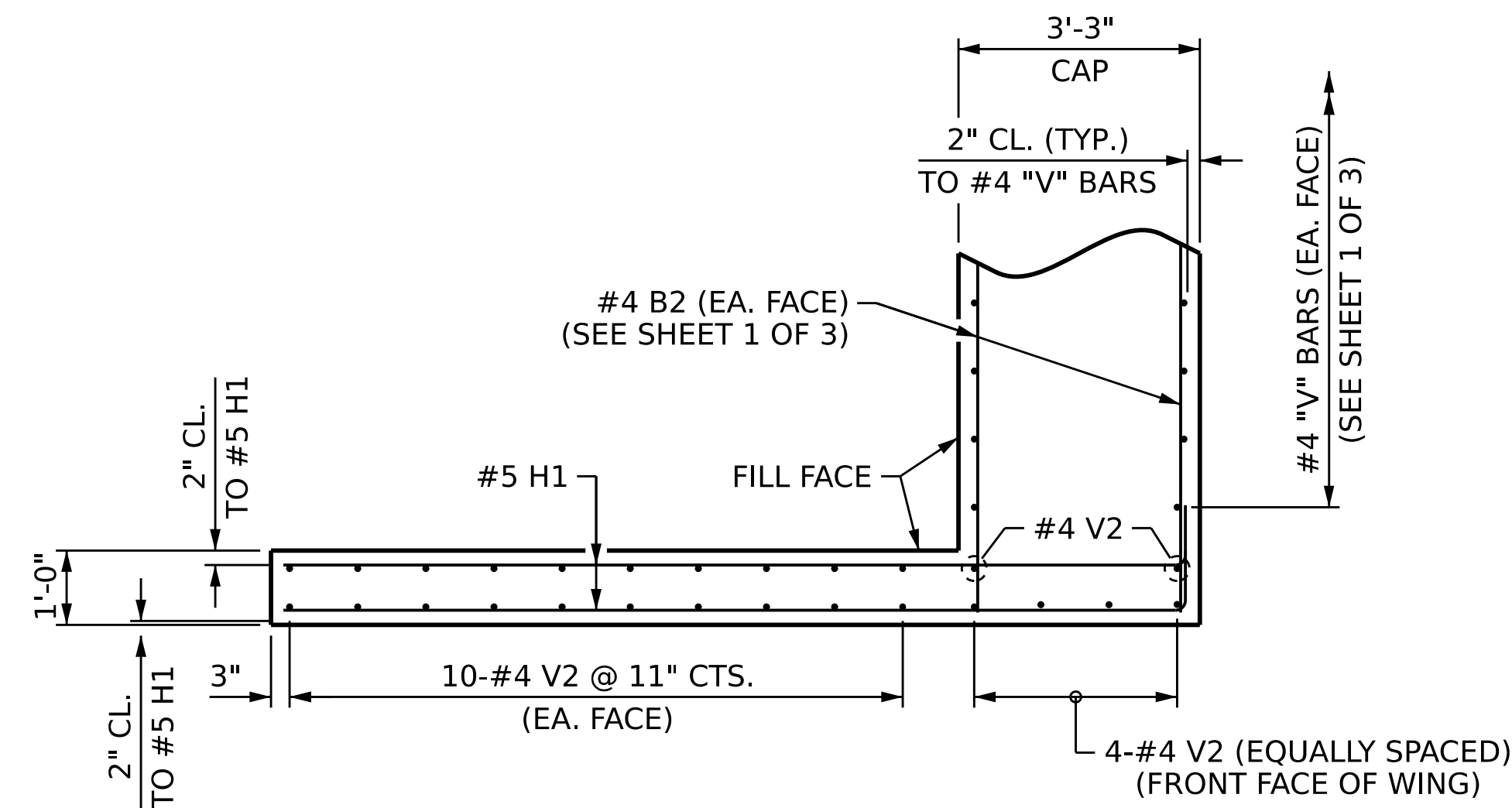
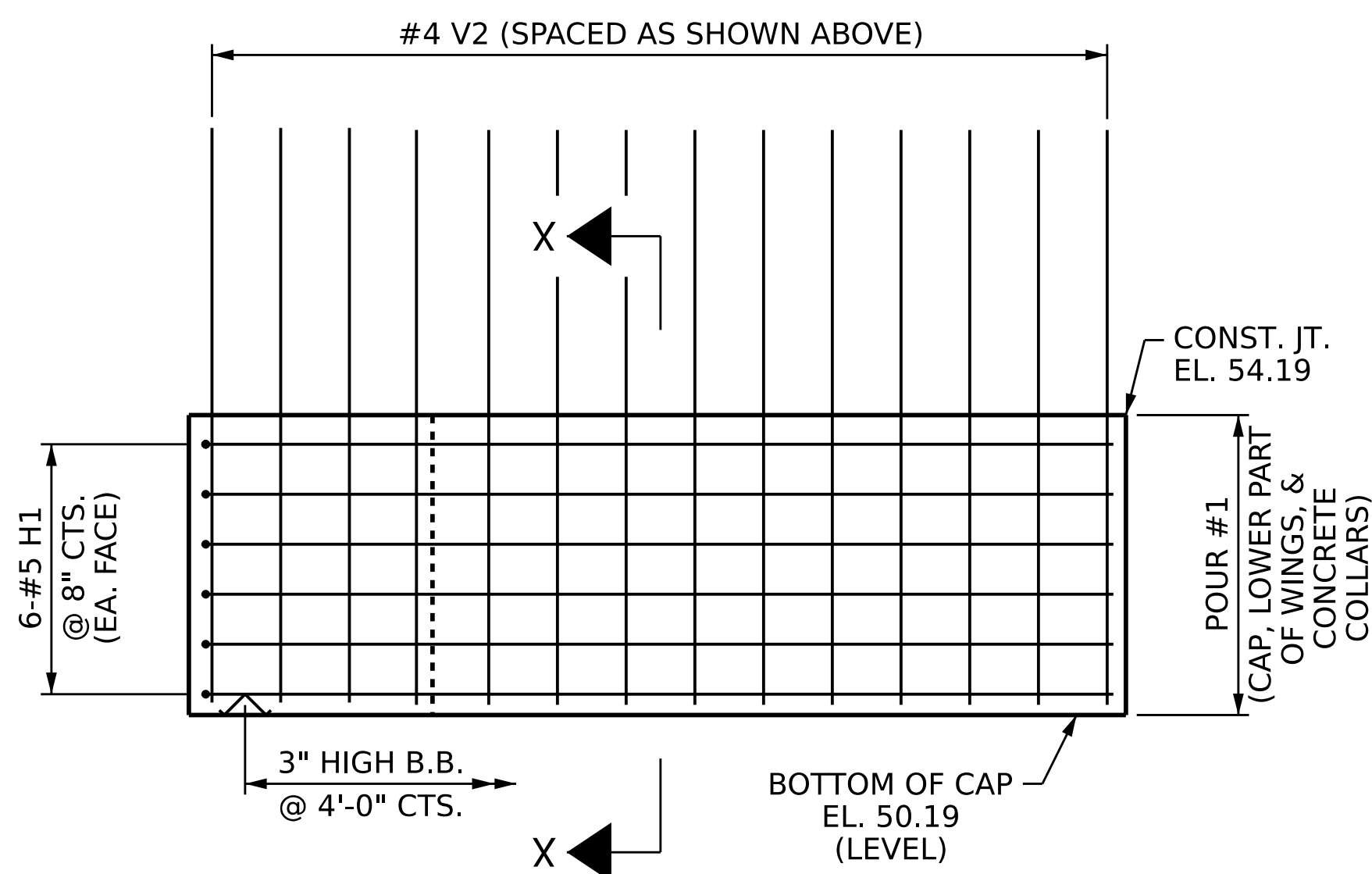


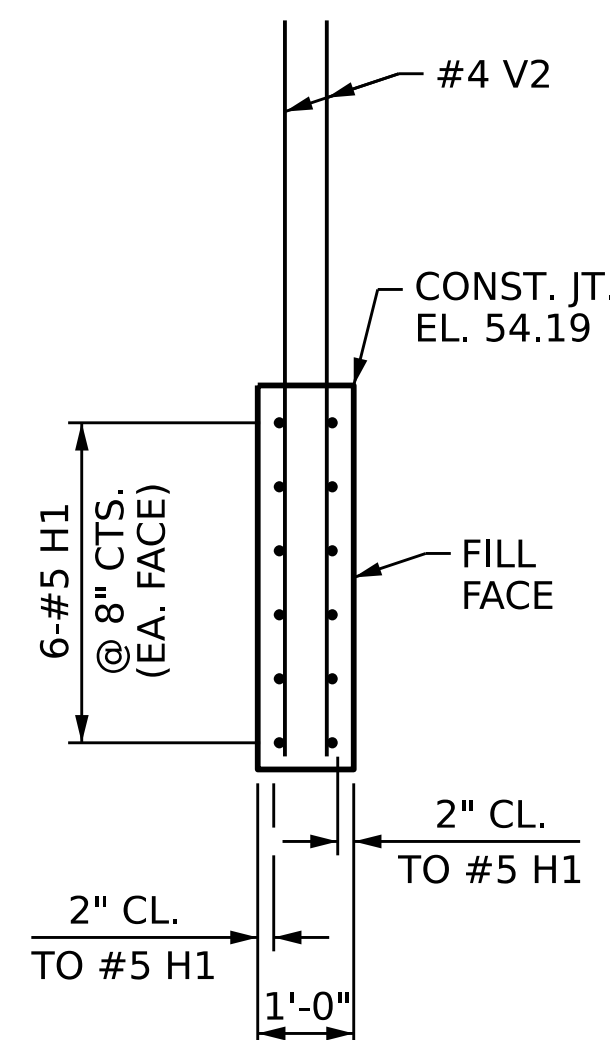
PLAN OF WING W1



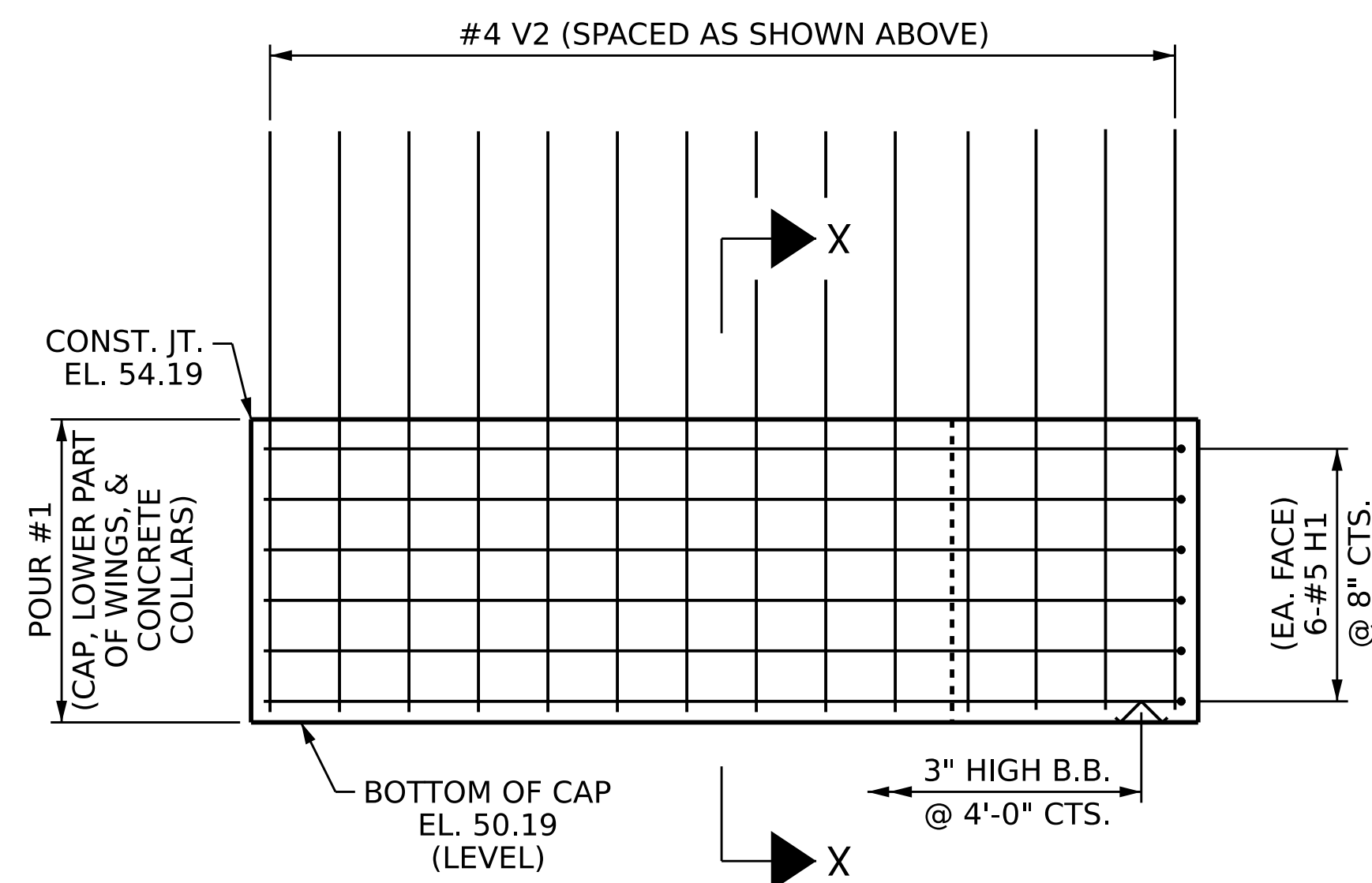
PLAN OF WING W2



ELEVATION OF WING W1



SECTION X-X



ELEVATION OF WING W2

PROJECT NO. **BR-0046**
SAMPSON COUNTY
 STATION: **24+30.00 -L-**

SHEET 2 OF 3



DocuSigned by:
P. Corey Newton
 4FEE38D14319407
 10/09/2023

STATE OF NORTH CAROLINA
 DEPARTMENT OF TRANSPORTATION
 RALEIGH

SUBSTRUCTURE

INTEGRAL END BENT 1

DRAWN BY : **P. K. NEWTON** DATE : **8/31/23**
 CHECKED BY : **P. D. BRYANT** DATE : **9/12/23**
 DESIGN ENGINEER OF RECORD : **P. D. BRYANT** DATE : **9/12/23**

10/9/2023
 R:\Structures\Plans\401.043.BR-0046.SMU.EB1.S-21.810022.dgn
 pknewton

DOCUMENT NOT CONSIDERED
 FINAL UNLESS ALL
 SIGNATURES COMPLETED

REVISIONS					SHEET NO. S-21
NO.	BY:	DATE:	NO.	DATE:	
1			3		TOTAL SHEETS 31
2			4		