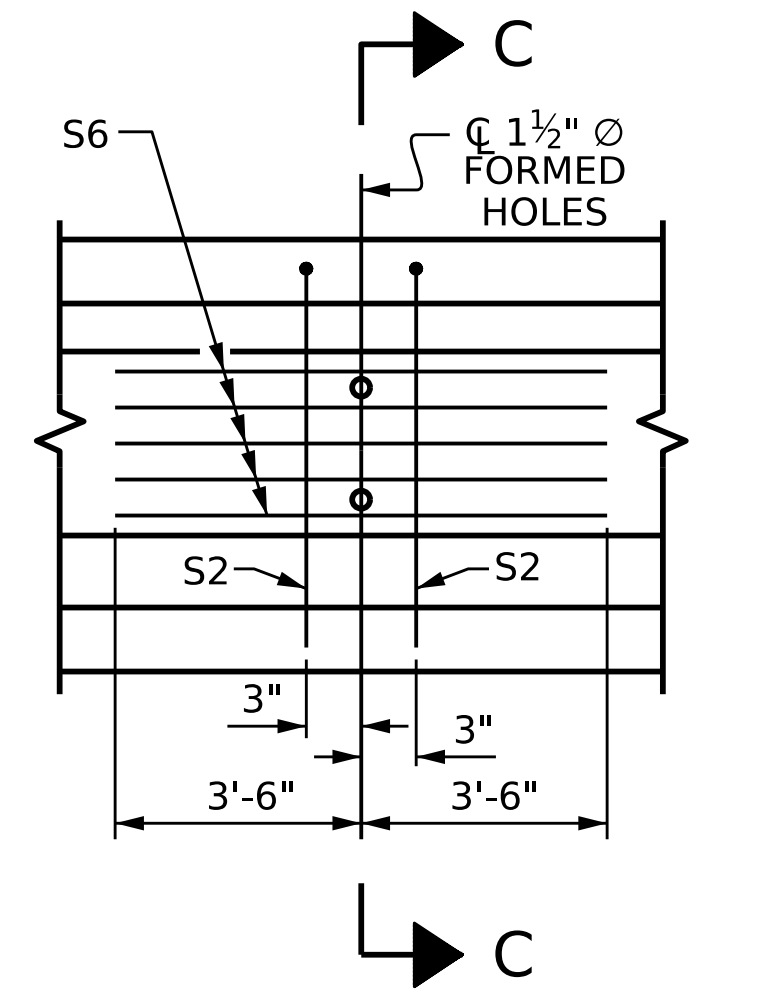


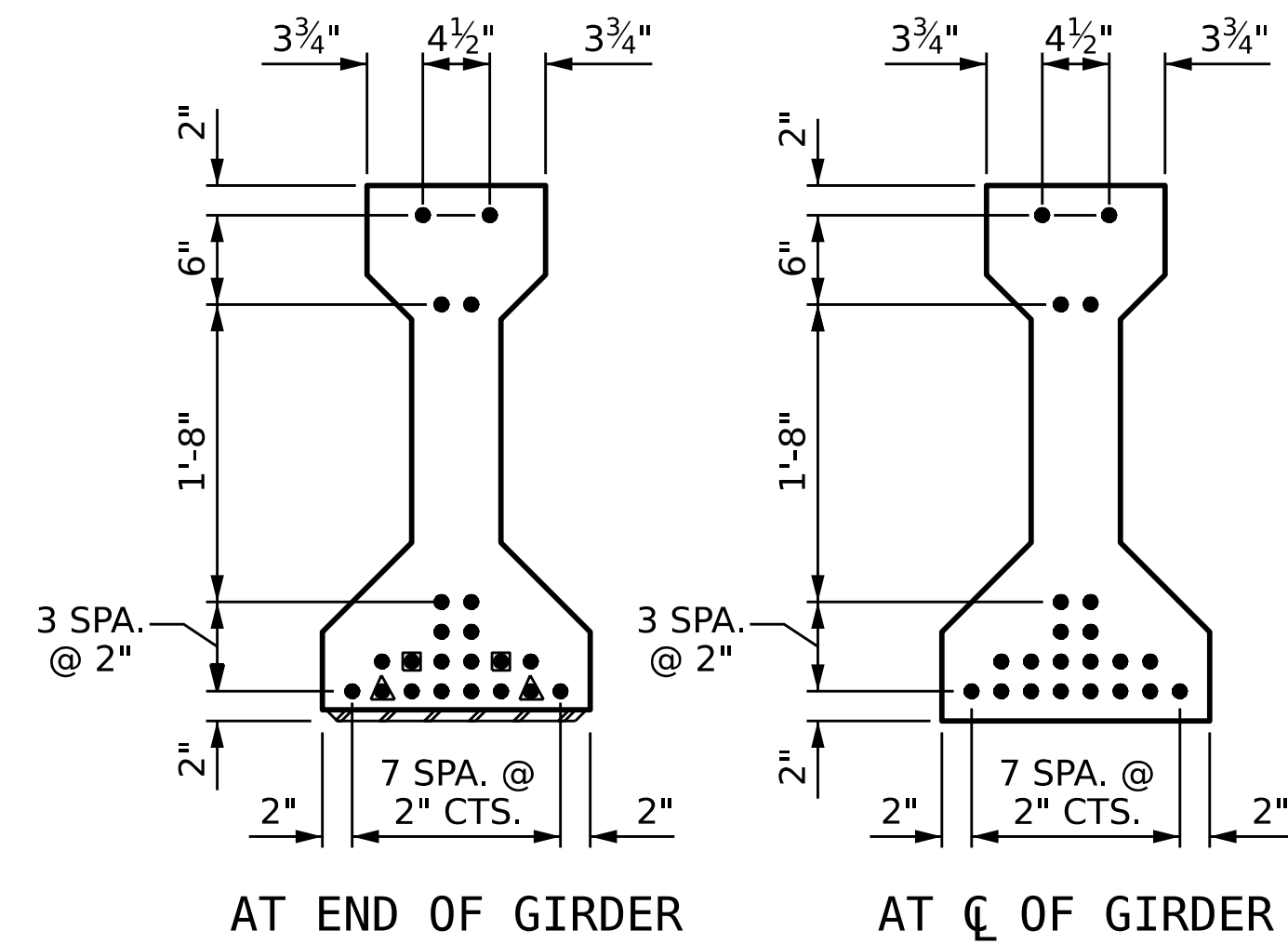
SECTION A-A

SECTION B-B

SECTION C-C
(S1 BARS NOT SHOWN)



PARTIAL ELEVATION
SHOWING INTERMEDIATE DIAPHRAGM
REINFORCING STEEL FOR GIRDER Nos. 1-5

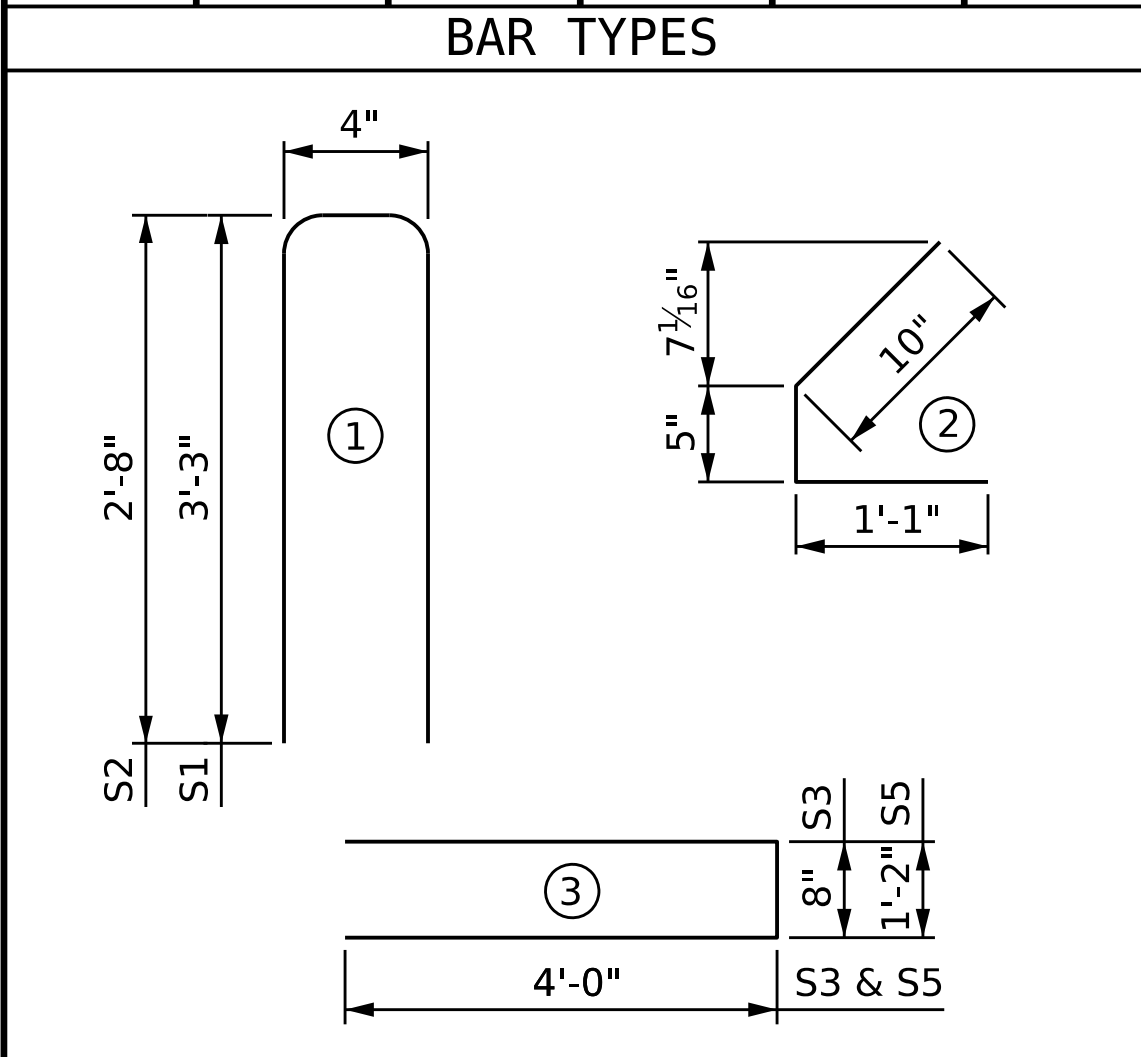


0.6" Ø LOW RELAXATION STRAND LAYOUT

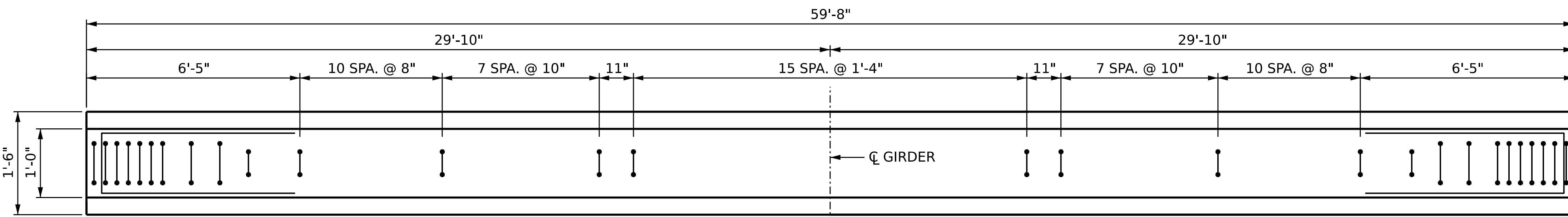
- DEBONDING LEGEND**
- FULLY BONDED STRANDS
 - ▣ STRANDS DEBONDED FOR 8'-0" FROM END OF GIRDER
 - ▴ STRANDS DEBONDED FOR 16'-0" FROM END OF GIRDER

0.6" Ø L.R. GRADE 270 STRANDS		
AREA (SQUARE INCHES)	ULTIMATE STRENGTH (LBS. PER STRAND)	APPLIED PRESTRESS (LBS. PER STRAND)
0.217	58,600	43,950

REINFORCING STEEL FOR ONE GIRDER					
BAR	NUMBER	SIZE	TYPE	LENGTH	WEIGHT
S1	64	#4	1	6'-10"	292
S2	20	#5	1	5'-8"	118
S3	4	#4	3	8'-8"	23
S4	64	#5	2	2'-4"	100
S5	2	#4	3	9'-2"	12
S6	5	#4	STR	7'-0"	23



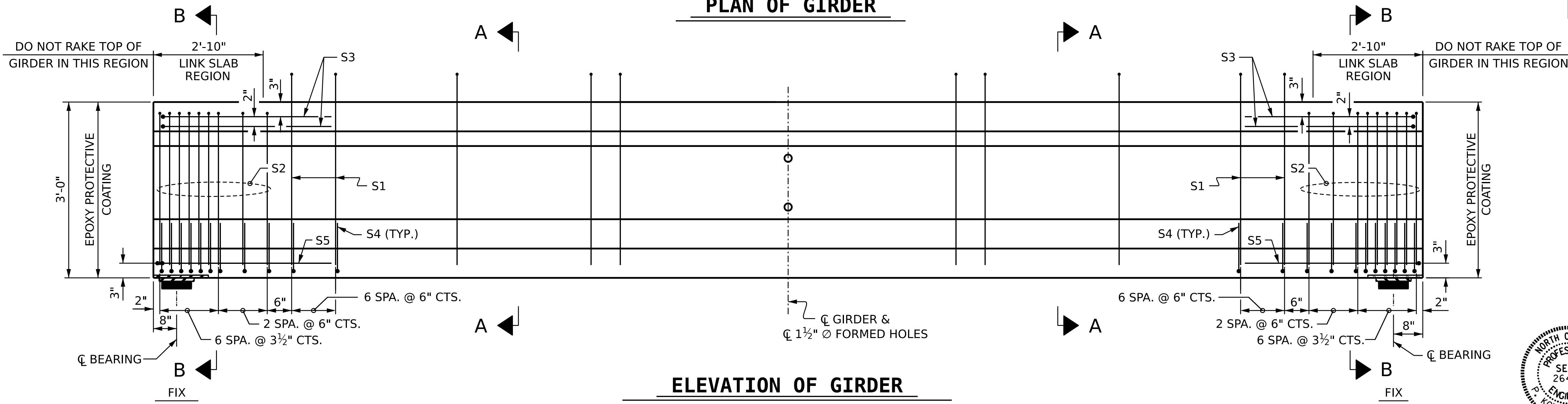
ALL BAR DIMENSIONS ARE OUT-TO-OUT



PLAN OF GIRDER

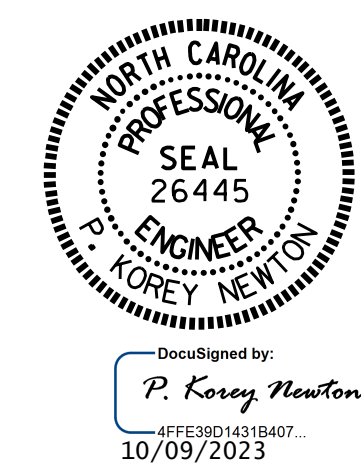
QUANTITIES FOR ONE GIRDER		
REINFORCING STEEL	8000 PSI CONCRETE	0.6" Ø L. R. STRANDS
LB.	C.Y.	No.
568	5.7	22

GIRDERS REQUIRED		
NUMBER	LENGTH	TOTAL LENGTH
5	59'-8"	298.33



ELEVATION OF GIRDER
(SEE PARTIAL ELEVATION FOR ADDITIONAL "S" BARS)

DESIGN ENGINEER OF RECORD: P. BRYANT DATE: 7/18/23	
ASSEMBLED BY: D. R. SHACKELFORD DATE: 1/26/23	CHECKED BY: M. K. BEARD DATE: 3/7/23
DRAWN BY: BNB 09/21	CHECKED BY: AAI 09/21



PROJECT NO. **BR-0046**
SAMPSON COUNTY
STATION: **24+30.00 -L-**

SHEET 2 OF 3
STATE OF NORTH CAROLINA
DEPARTMENT OF TRANSPORTATION
RALEIGH
STANDARD
**AASHTO TYPE II
PRESTRESSED CONCRETE
GIRDER - LINK SLAB
(SPAN B)**

REVISIONS				SHEET NO.
NO.	BY:	DATE:	NO.	DATE:
1			3	
2			4	

DOCUMENT NOT CONSIDERED FINAL UNLESS ALL SIGNATURES COMPLETED