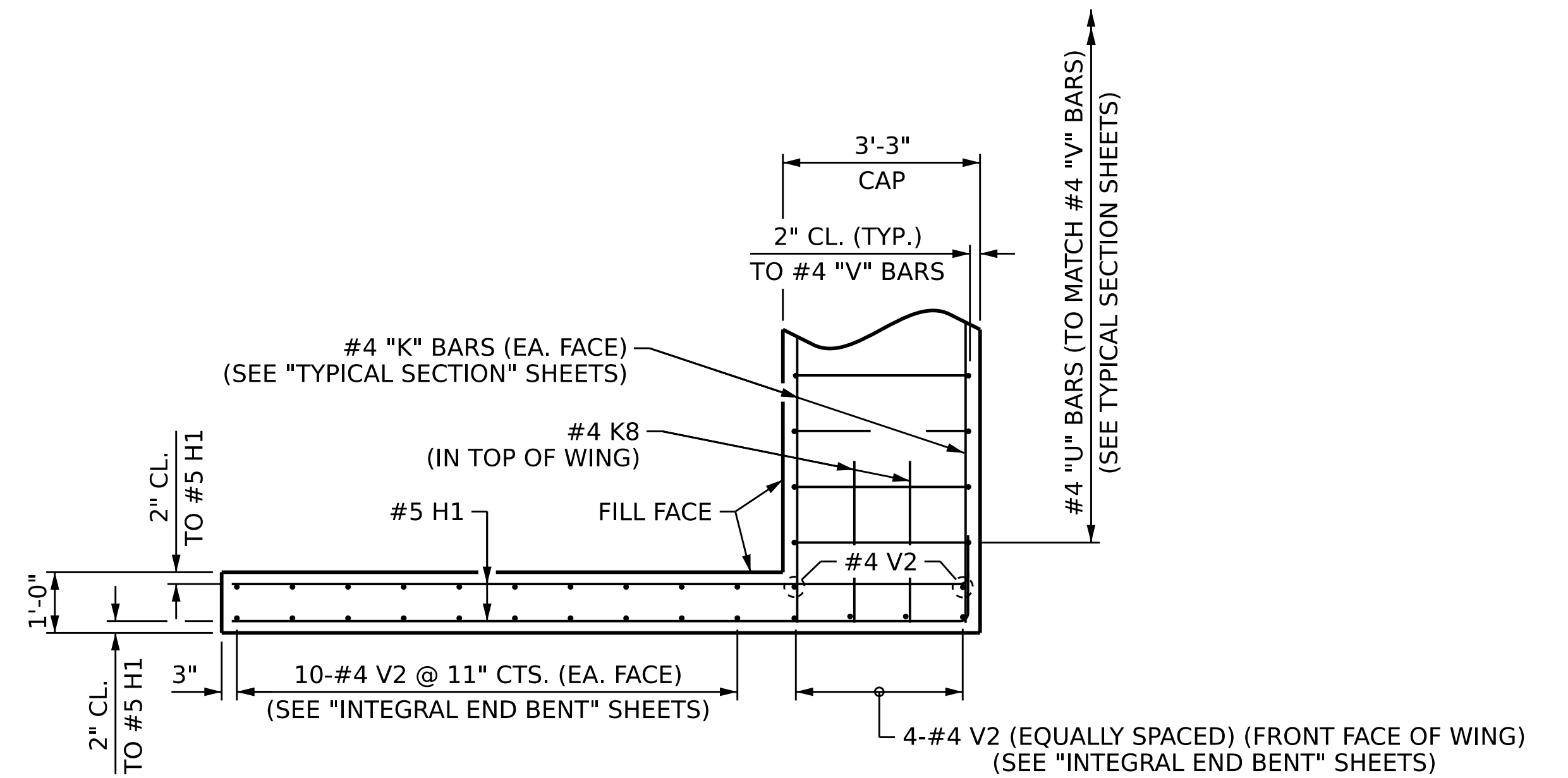
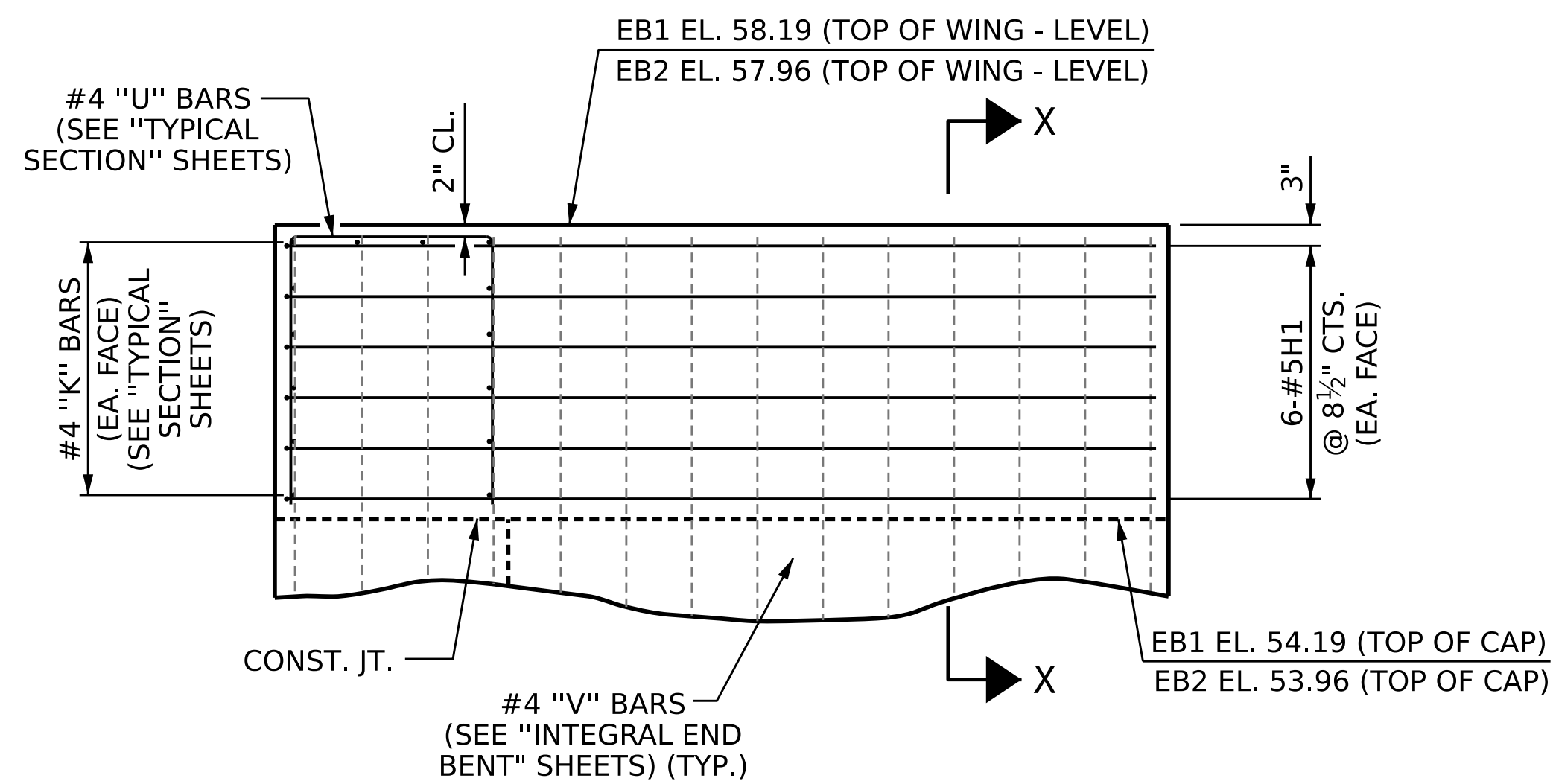


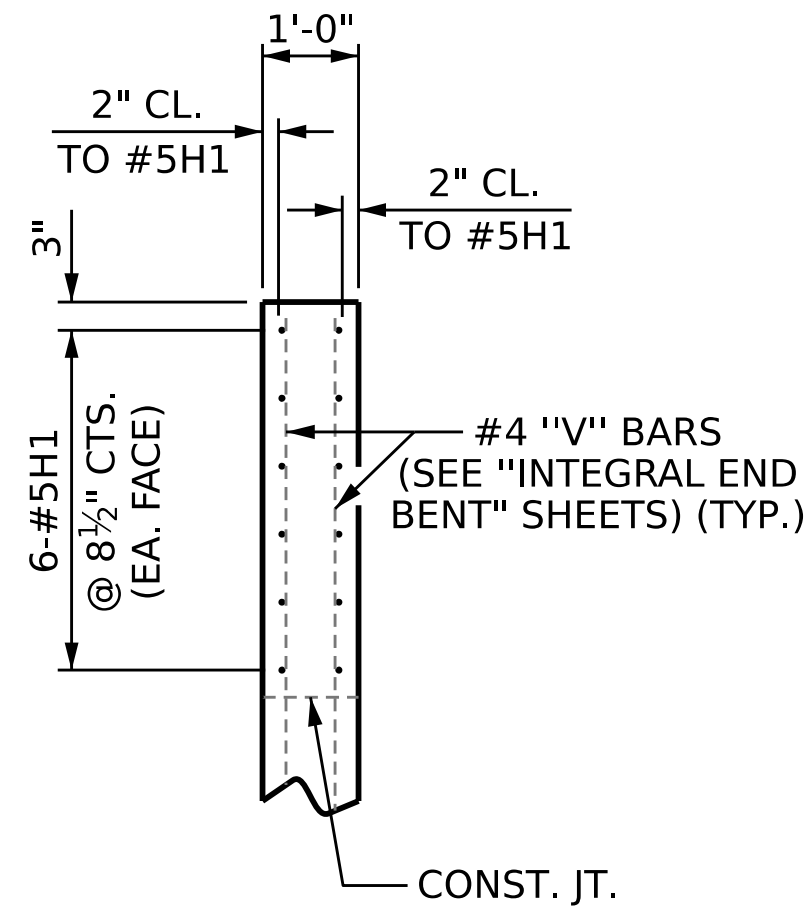
PLAN OF WING W1



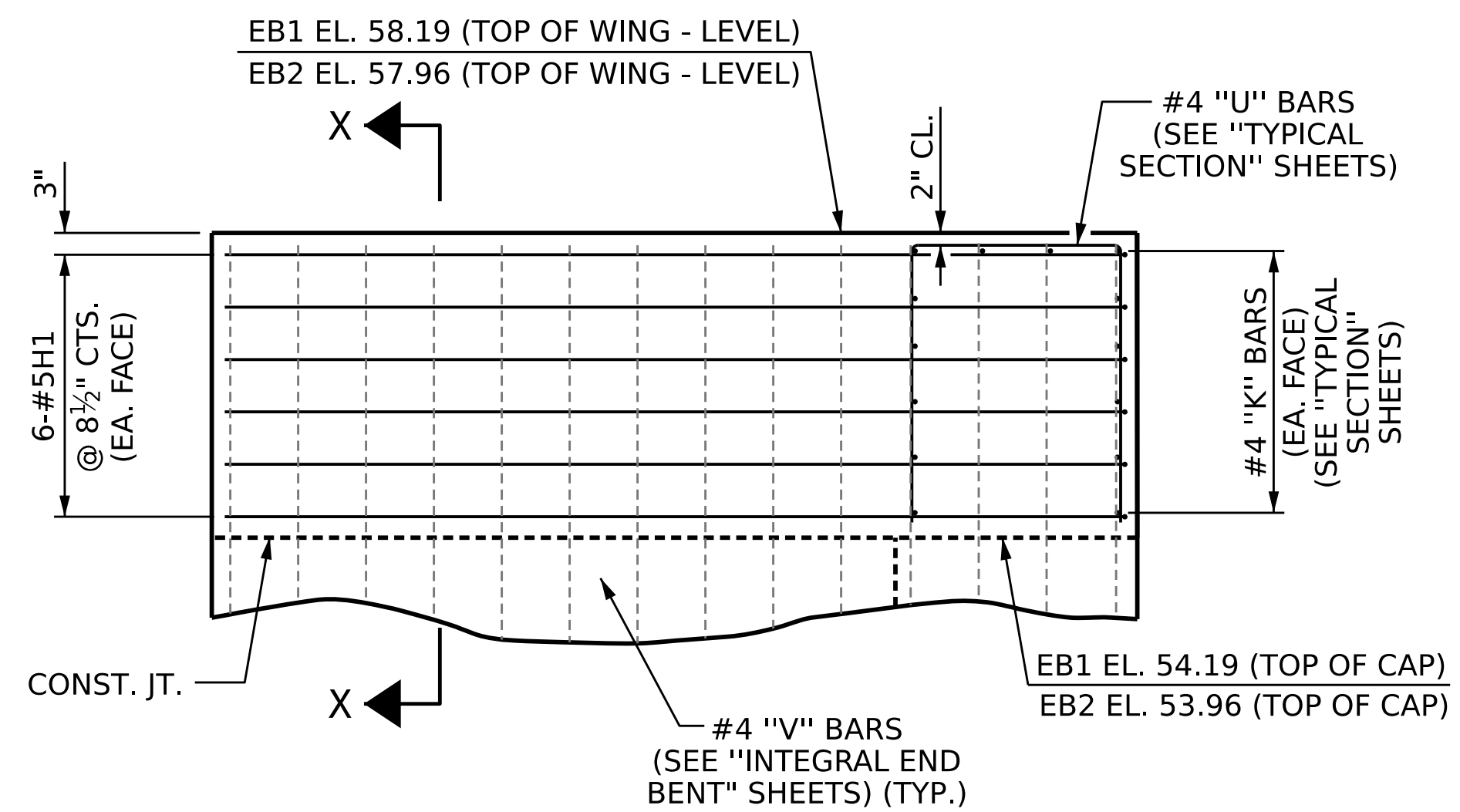
PLAN OF WING W2



ELEVATION OF WING W1



SECTION X-X



ELEVATION OF WING W2

UPPER WINGS AT INTEGRAL END BENTS

FOR LOWER WING REINFORCING STEEL AND DETAILS, SEE "INTEGRAL END BENT" SHEETS

PROJECT NO. **BR-0046**

SAMPSON COUNTY

STATION: **24+30.00 -L-**

SHEET 3 OF 3



Drawn/Designed by:
P. Corey Newton
10/09/2023

STATE OF NORTH CAROLINA
DEPARTMENT OF TRANSPORTATION
RALEIGH

SUPERSTRUCTURE

PLAN OF SPANS
(UPPER WINGS)

DRAWN BY : **M. K. BEARD** DATE : **2/15/23**
CHECKED BY : **D. R. SHACKELFORD** DATE : **2/16/23**
DESIGN ENGINEER OF RECORD : **P. D. BRYANT** DATE : **9/6/23**

DOCUMENT NOT CONSIDERED
FINAL UNLESS ALL
SIGNATURES COMPLETED

REVISIONS						SHEET NO.
NO.	BY:	DATE:	NO.	BY:	DATE:	S-10
1			3			TOTAL SHEETS
2			4			31