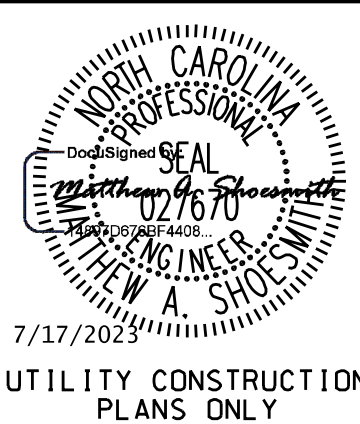
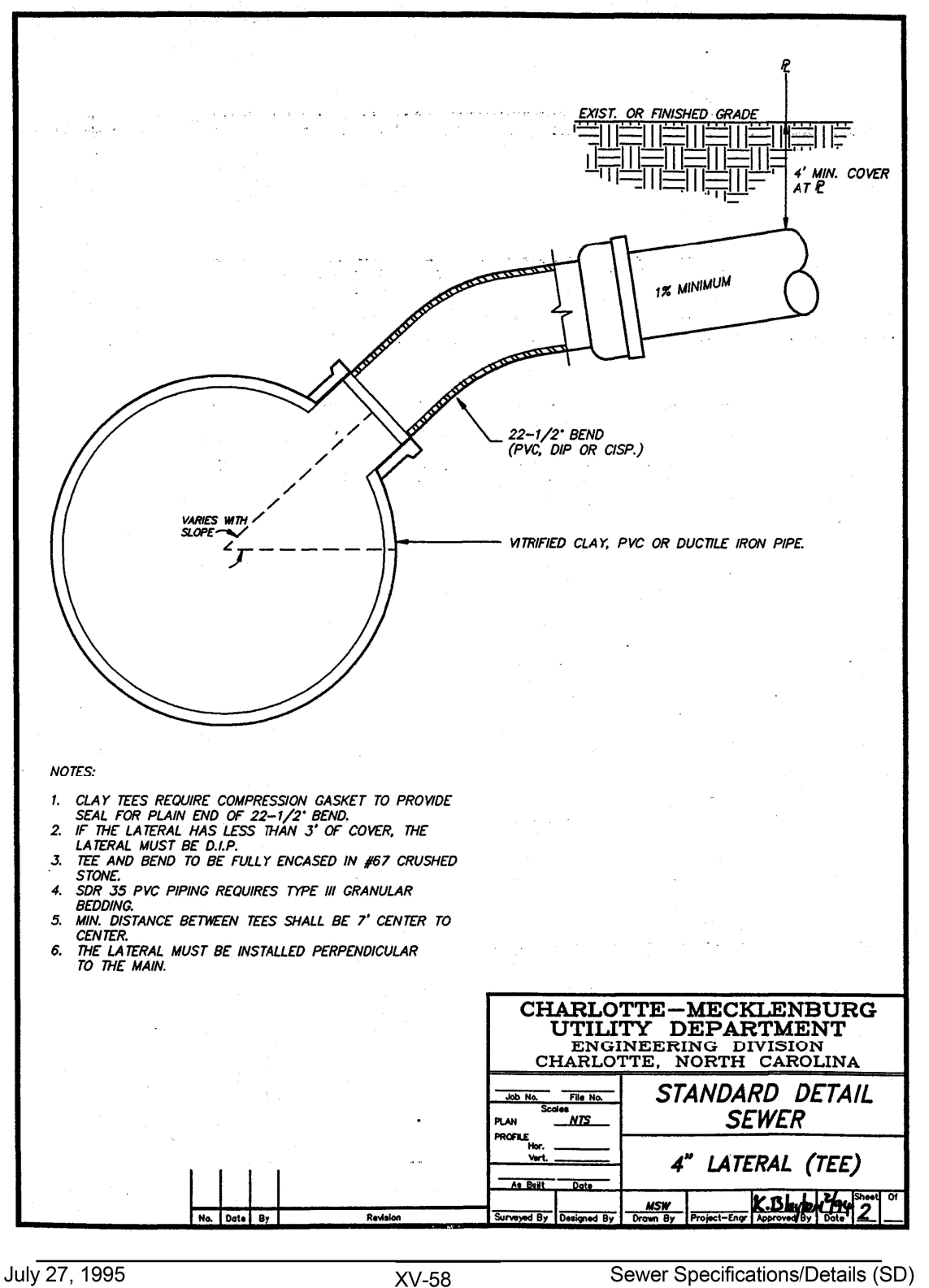
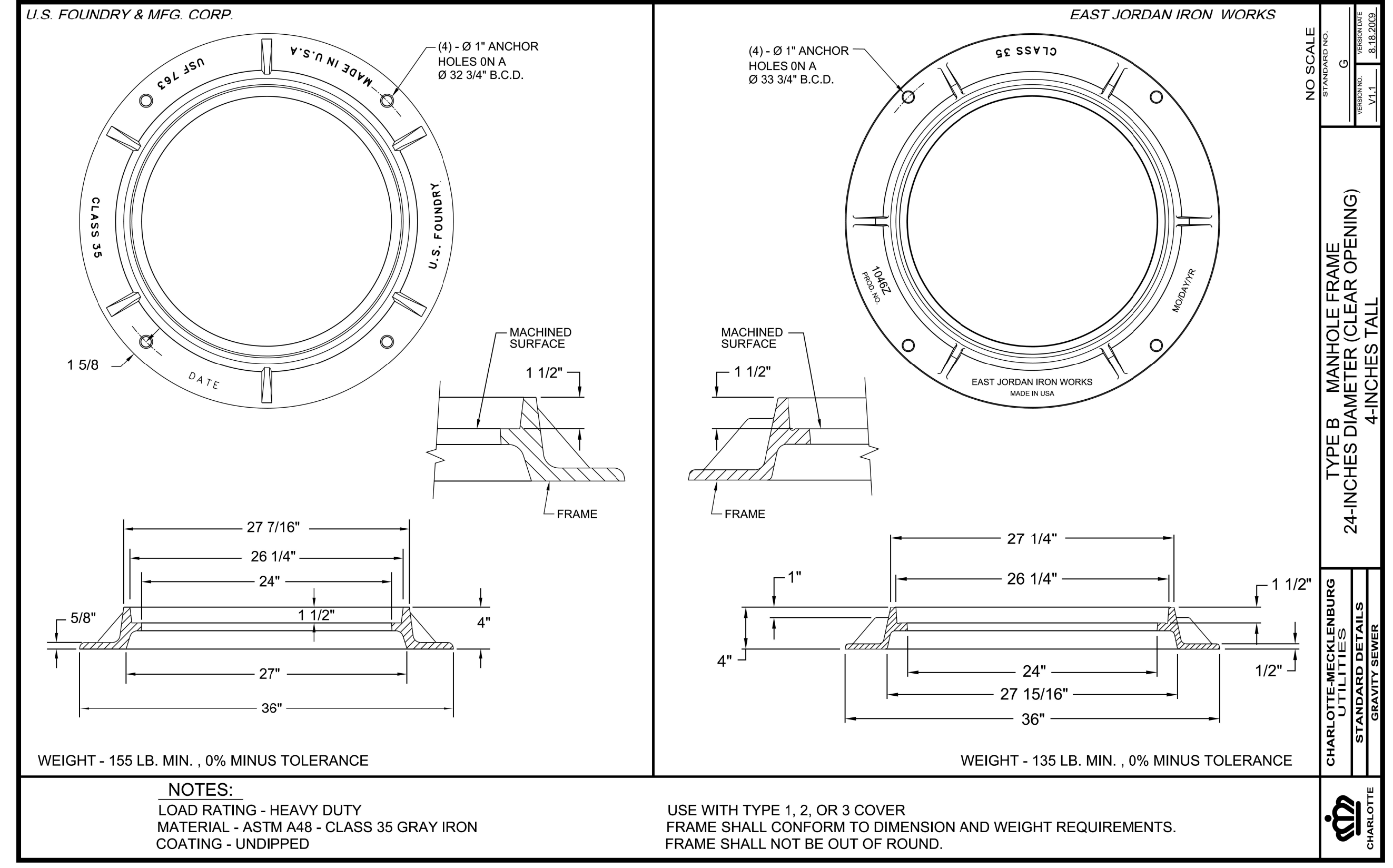
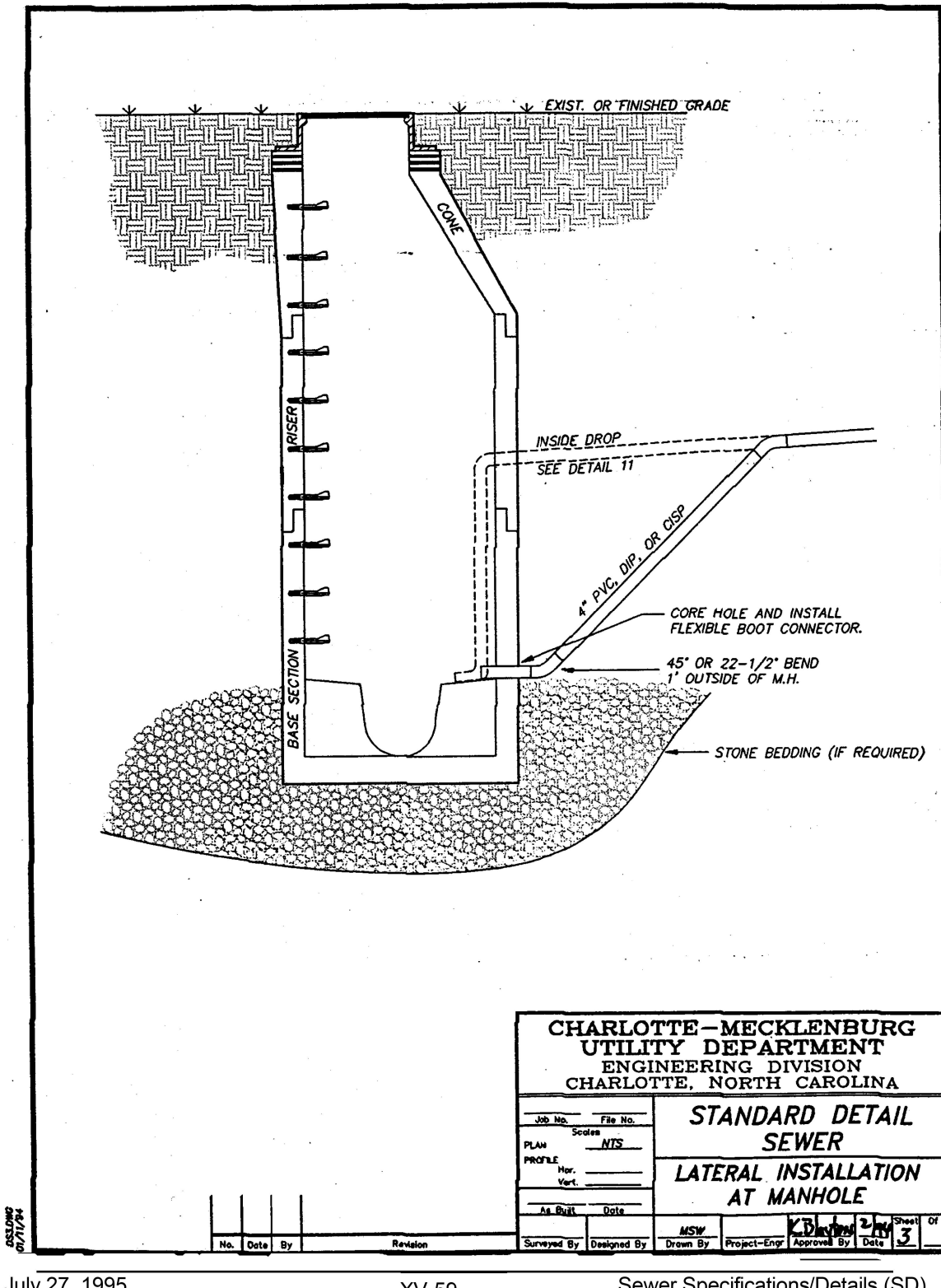
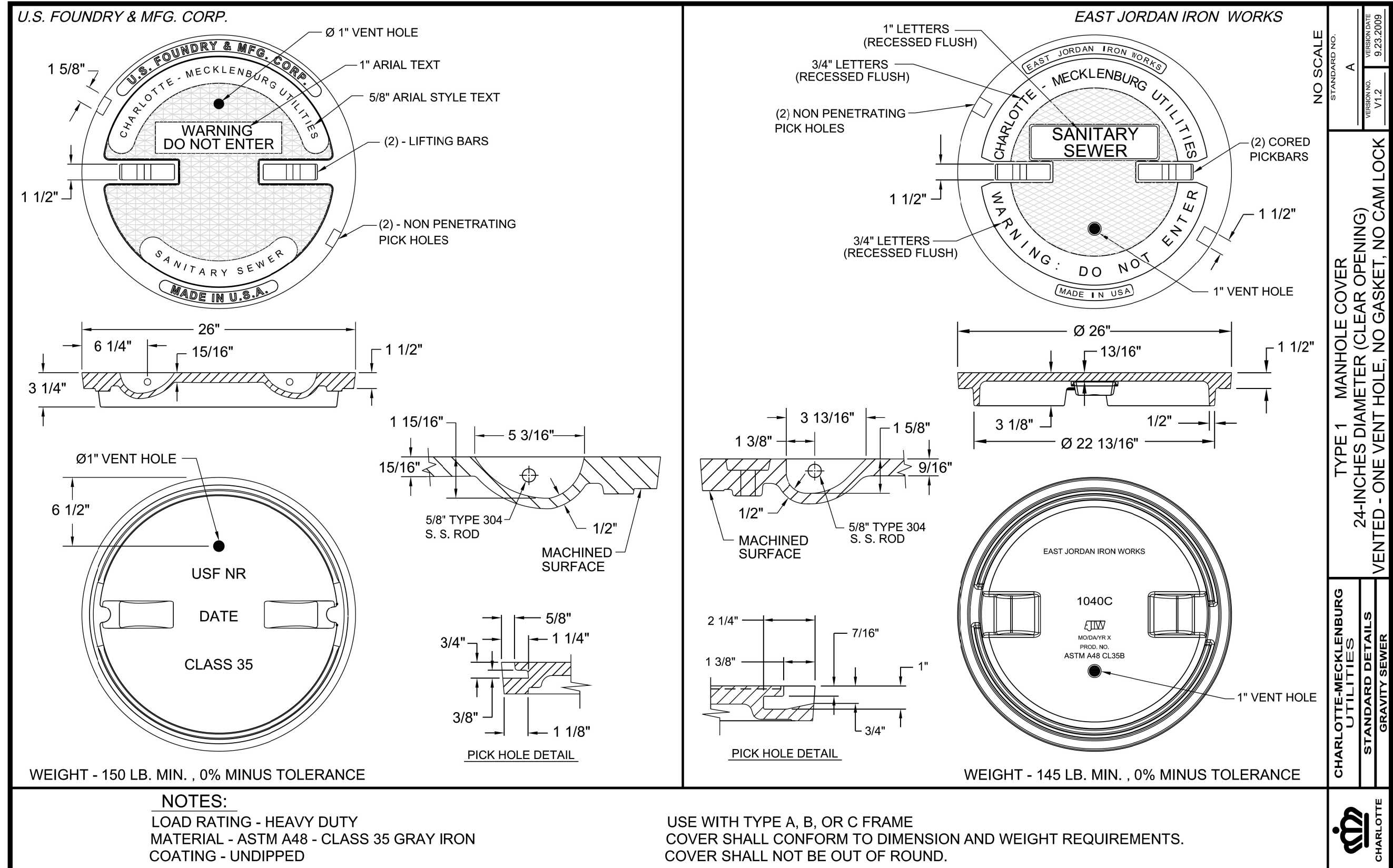


DESIGNED BY: MAS
DRAWN BY: SJJ
CHECKED BY: MAS
APPROVED BY: ---
REVISED:
NORTH CAROLINA
DEPARTMENT OF
TRANSPORTATION
7/17/2023
UTILITIES ENGINEERING SEC.
PHONE: (919) 707-6690
FAX: (919) 250-4151



UTILITY CONSTRUCTION



REVISIONS