

DOCUMENT NOT CONSIDERED FINAL UNLESS ALL SIGNATURES COMPLETED

STATE OF NORTH CAROLINA DEPT. OF TRANSPORTATION DIVISION OF HIGHWAYS RALEIGH, N.C.

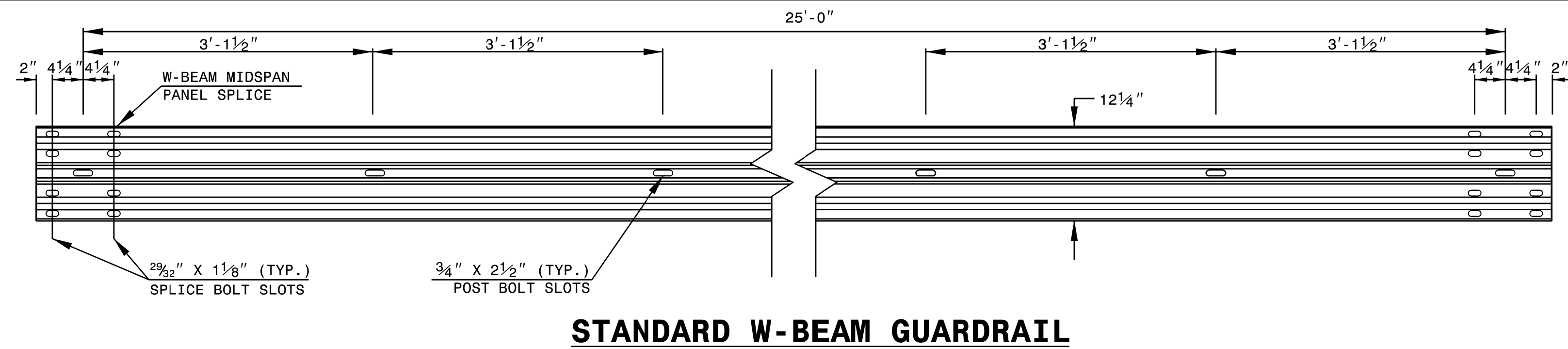
ROADWAY DETAIL DRAWING FOR GUARDRAIL INSTALLATION

SHEET 6 OF 8 862D02

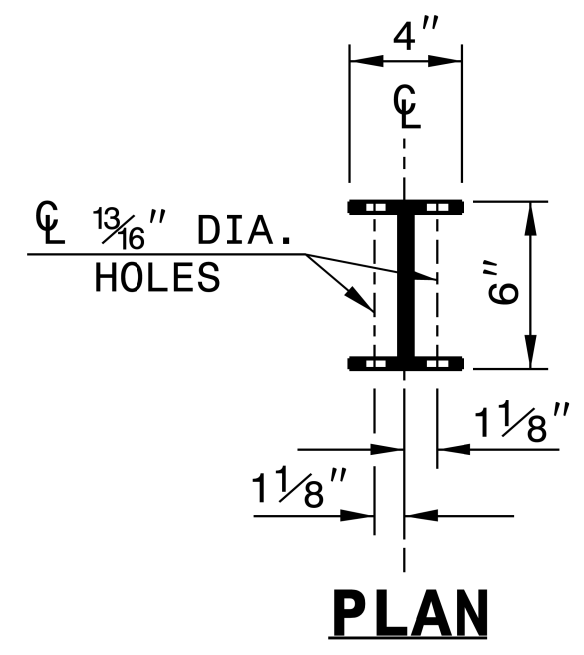
STATE OF NORTH CAROLINA DEPT. OF TRANSPORTATION DIVISION OF HIGHWAYS RALEIGH, N.C.

ROADWAY DETAIL DRAWING FOR GUARDRAIL INSTALLATION

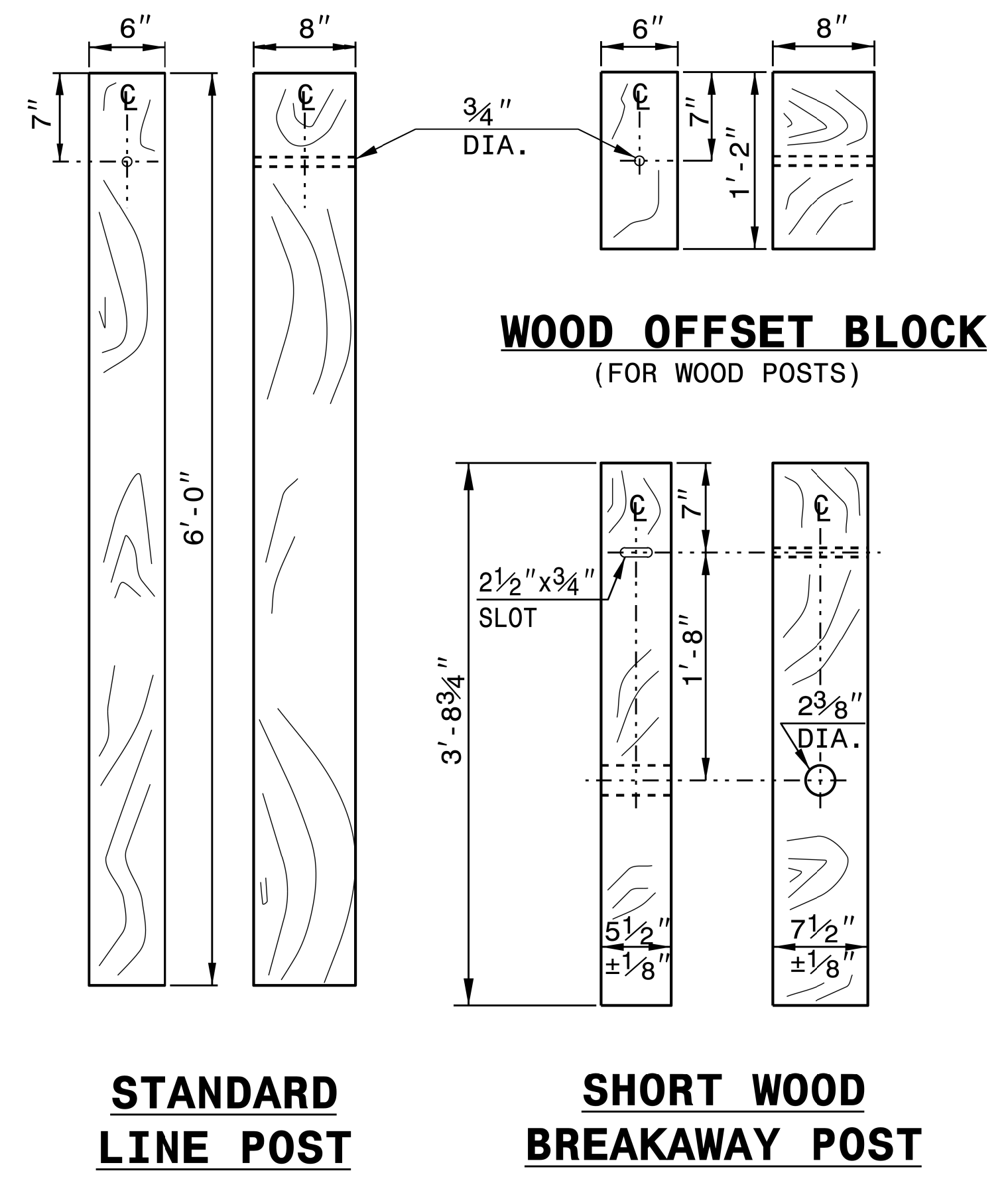
SHEET 6 OF 8 862D02



STANDARD W-BEAM GUARDRAIL



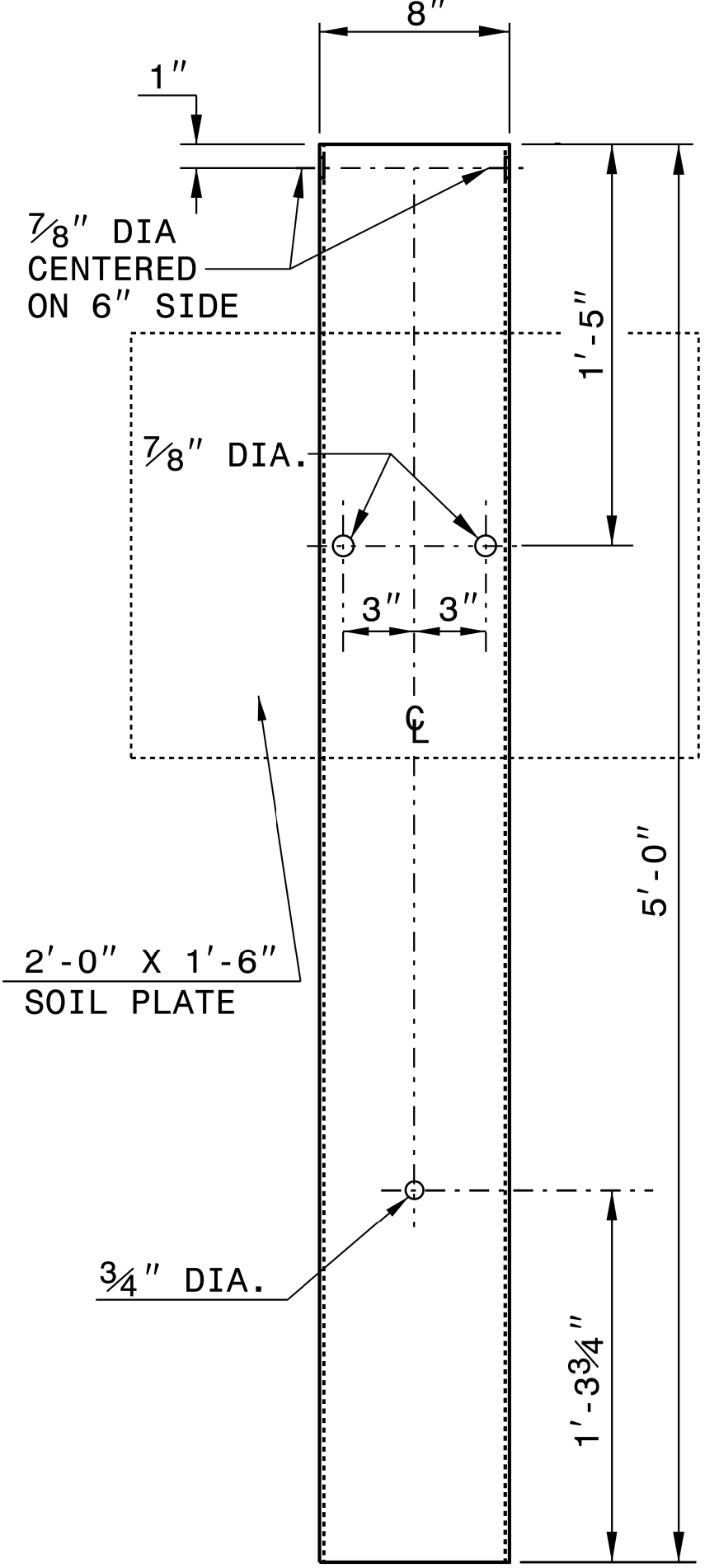
PLAN



WOOD OFFSET BLOCK (FOR WOOD POSTS)

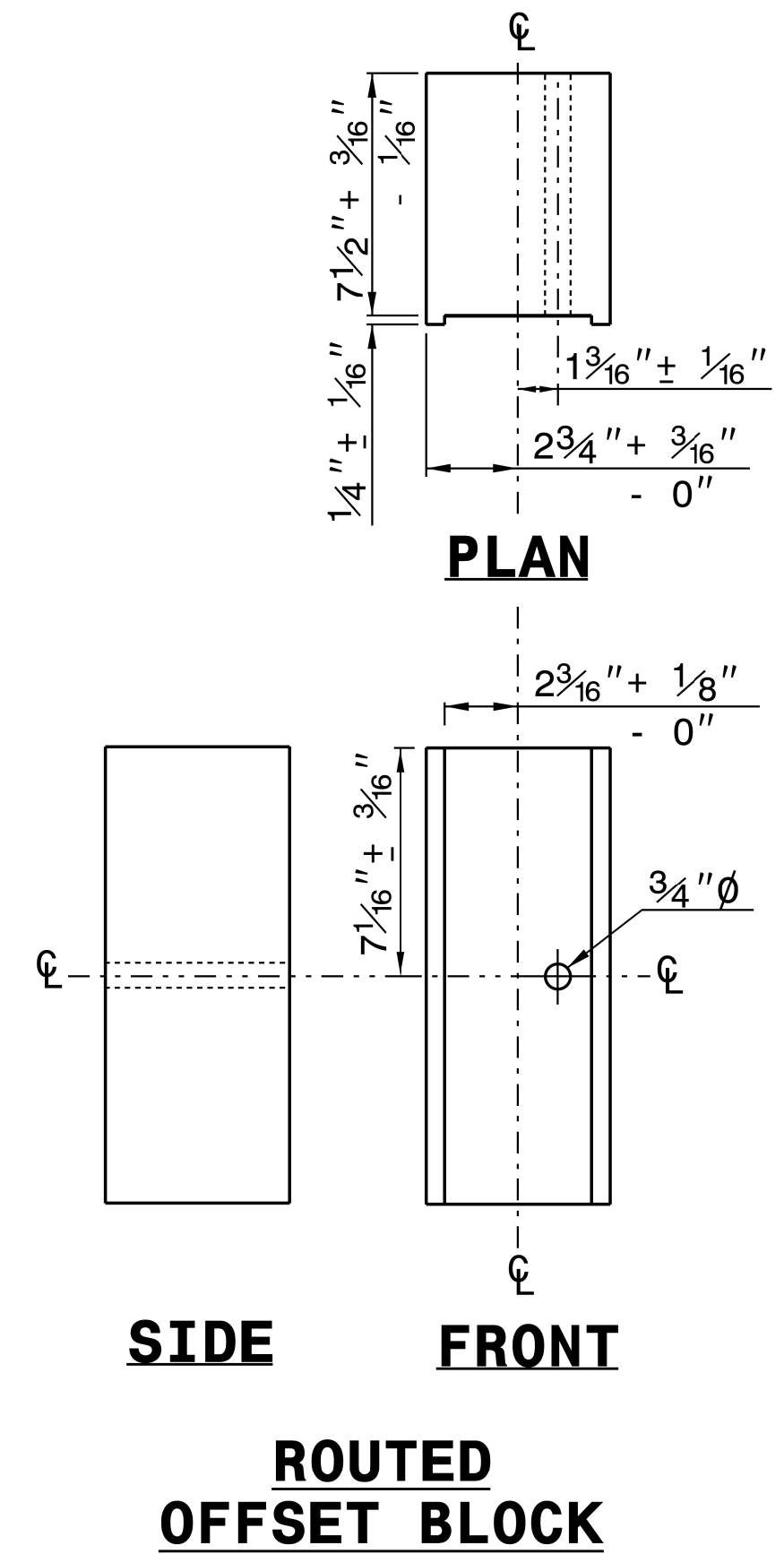
STANDARD LINE POST

SHORT WOOD BREAKAWAY POST



STEEL TUBE TS 6" X 8" X 0.1875"

SYSTEM PARTS

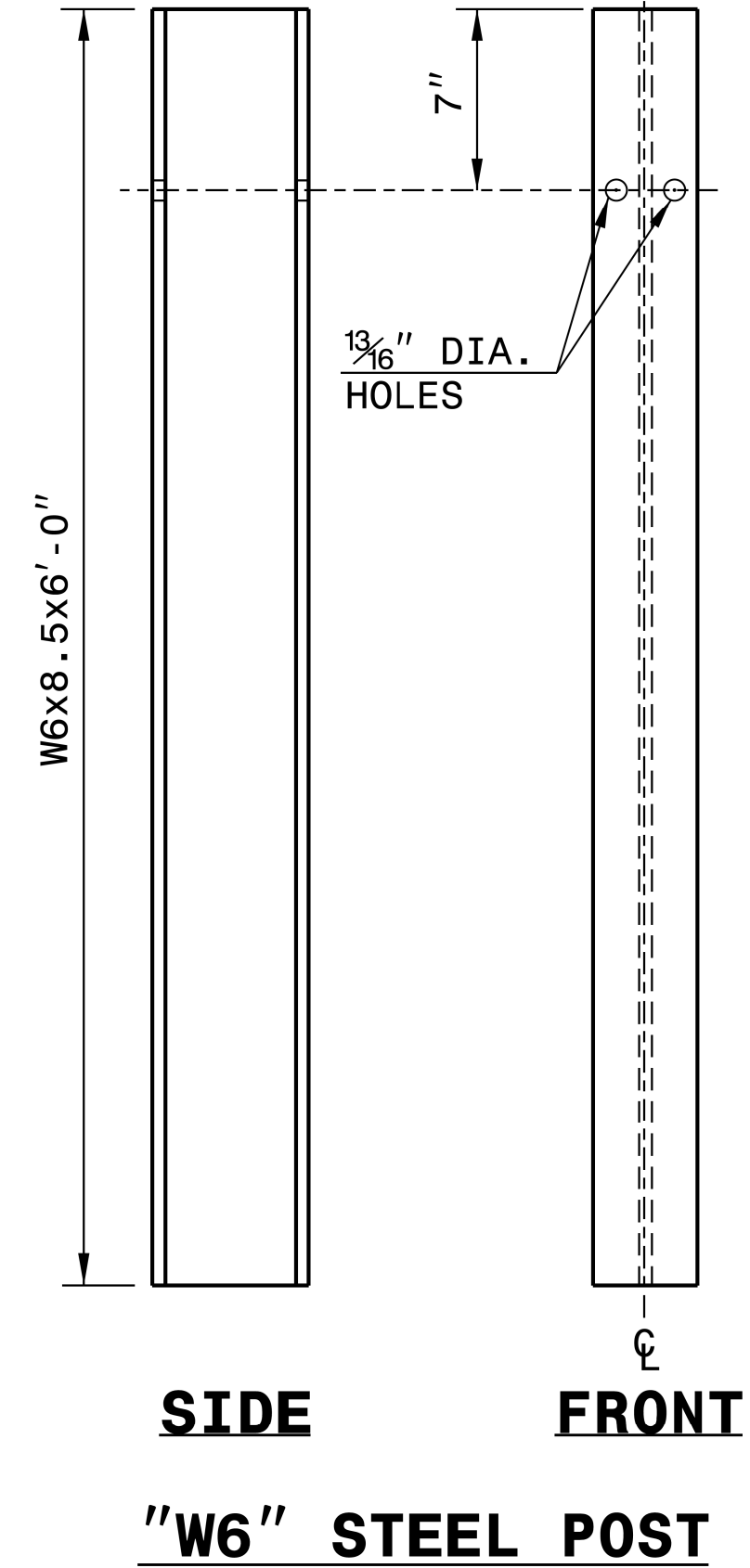


PLAN

SIDE

FRONT

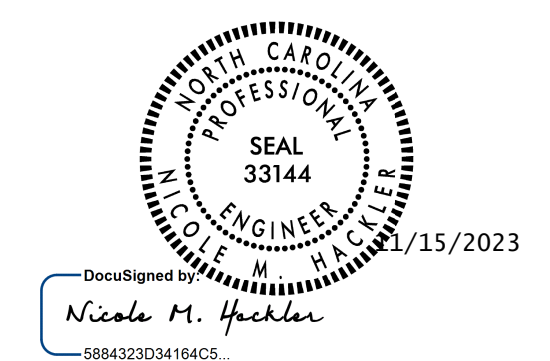
ROUTED OFFSET BLOCK



SIDE

FRONT

W6 STEEL POST



CONTRACTS STANDARDS AND DEVELOPMENT UNIT Office 919-707-6950 FAX 919-250-4119

SEE TITLE BLOCK

ORIGINAL BY: J. HOWERTON DATE: 3-7-2018 MODIFIED BY: DATE: CHECKED BY: DATE: FILE SPEC.: