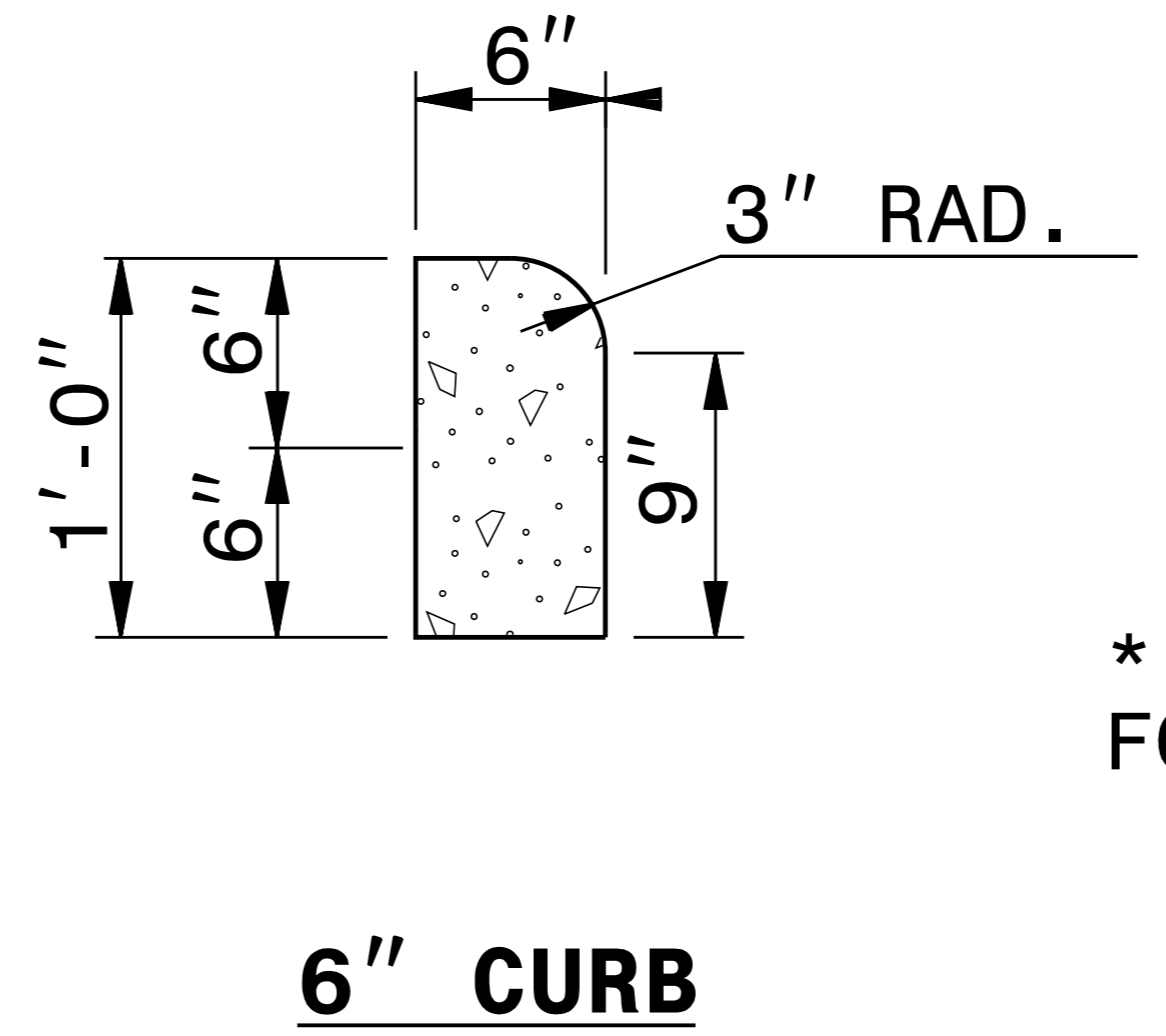
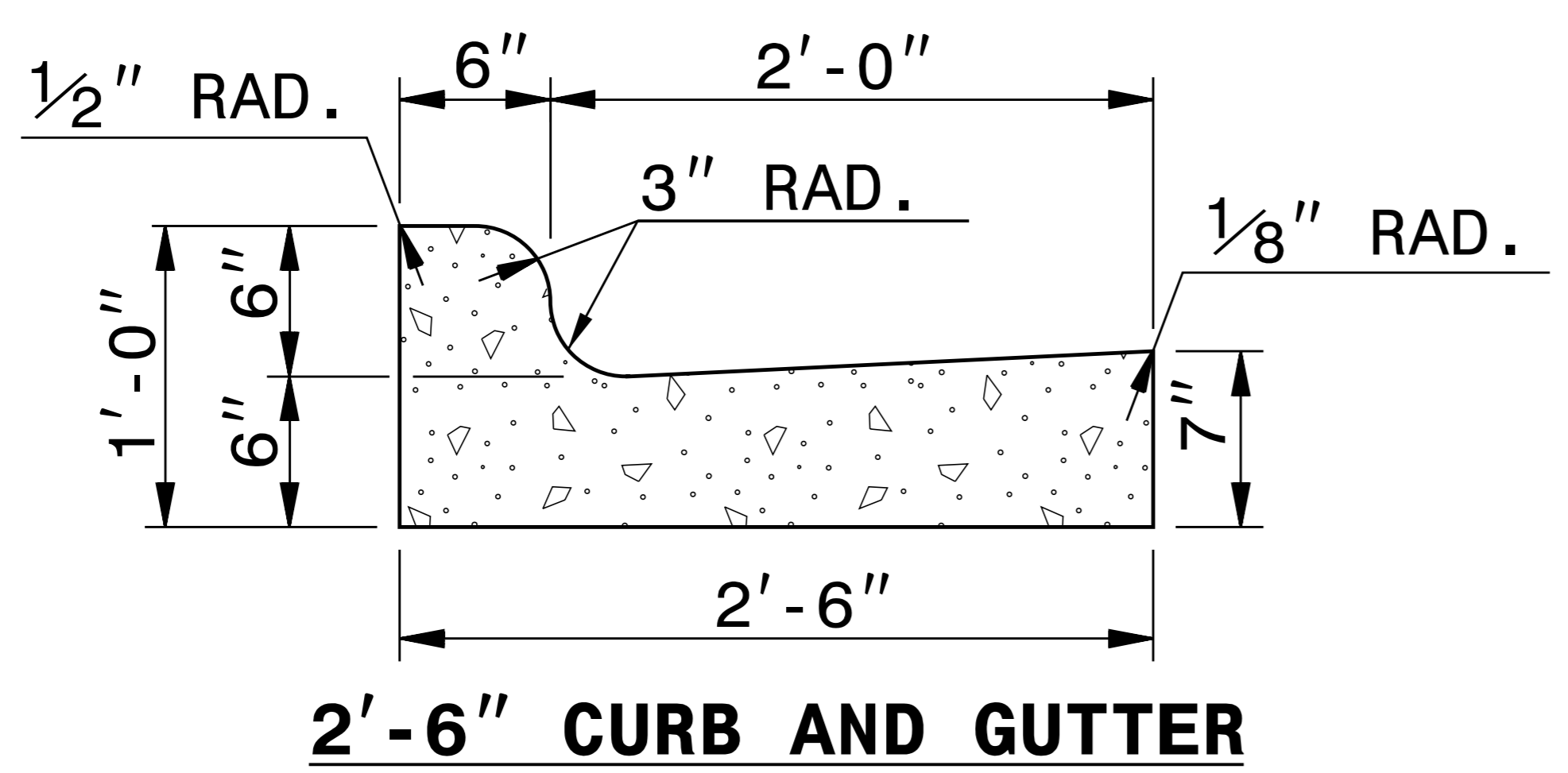
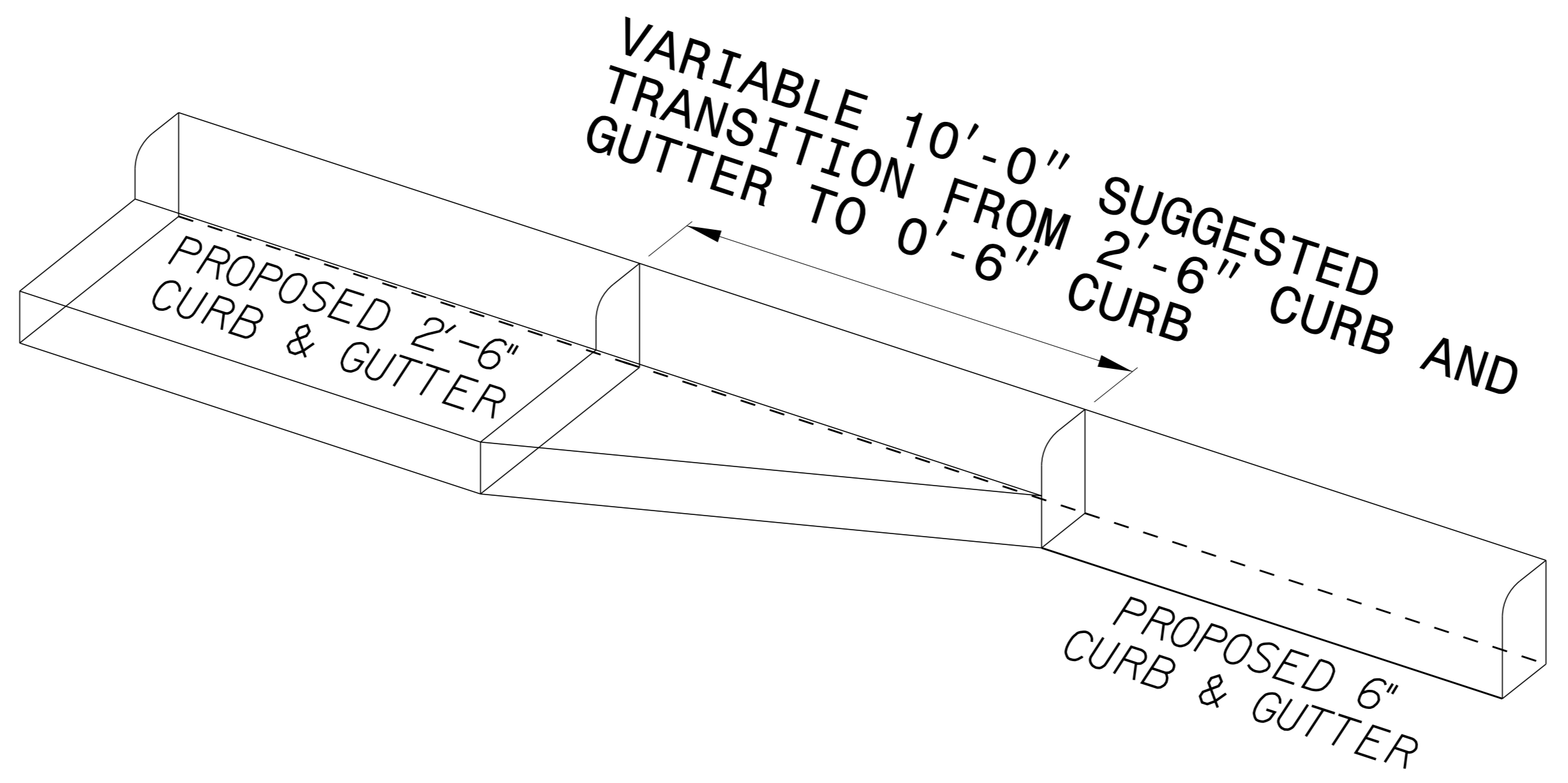


PROJECT REFERENCE NO. U-5907	SHEET NO. 2B-7
ROADWAY DESIGN ENGINEER	
<small>DocuSigned by: Frank Masterson</small> DOCUMENT NOT CONSIDERED FINAL UNLESS ALL SIGNATURES COMPLETED	



* NOTE: SEE STD. DWG. 846.01
FOR GENERAL NOTES



ISOMETRIC VIEW OF TRANSITION

TRANSITION FROM 2'-6" CURB
AND GUTTER TO 0'-6" CURB