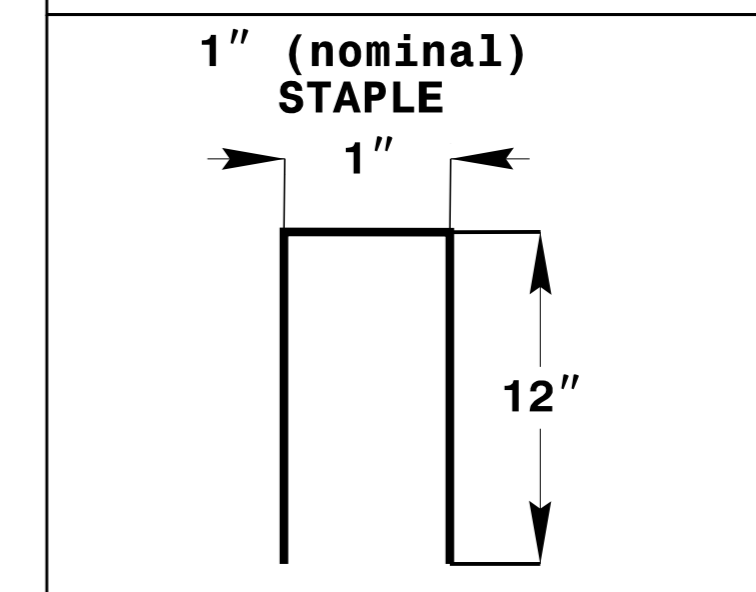
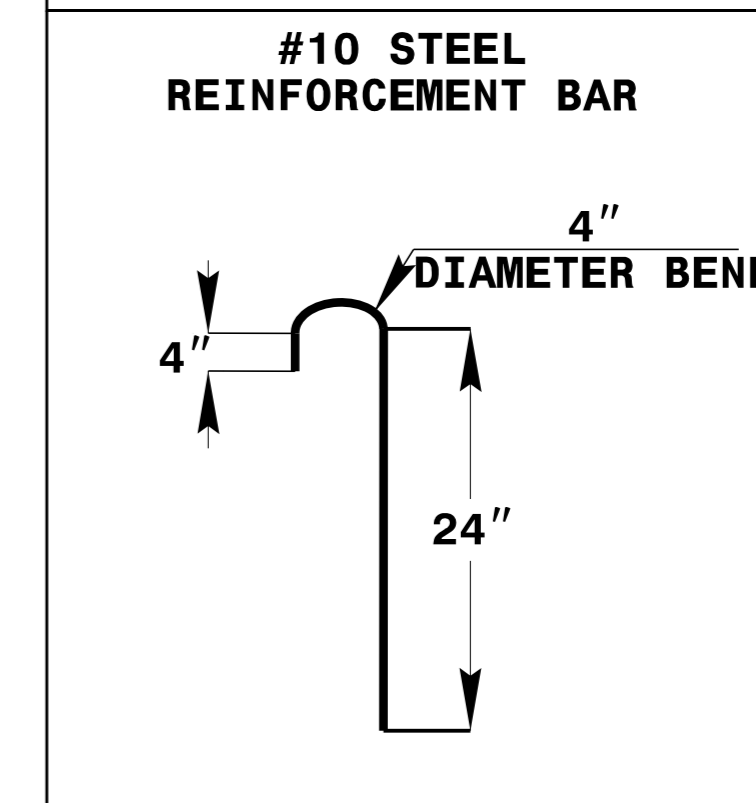
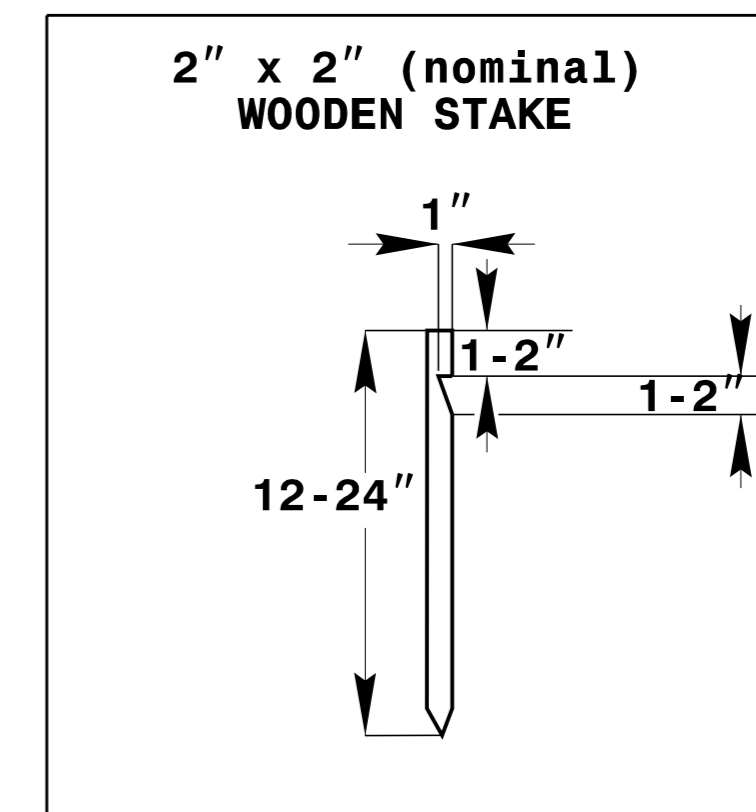
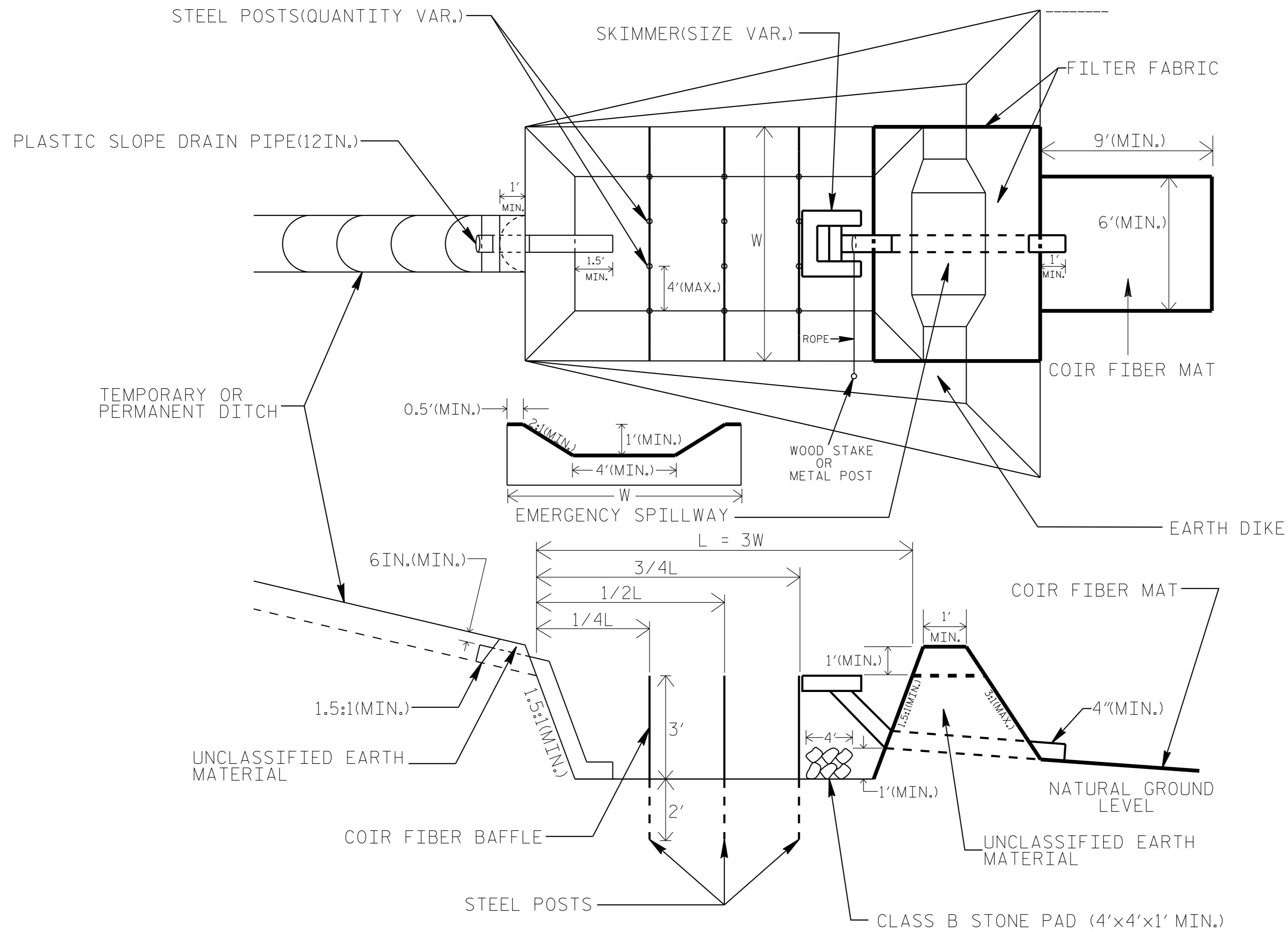


SKIMMER BASIN WITH BAFFLES DETAIL



COIR FIBER MAT ANCHOR OPTIONS

NOT TO SCALE

NOTES

1. SEED AND PLACE MATTING FOR EROSION CONTROL ON INTERIOR SIDESLOPES.
2. LIMIT EARTH DIKE HEIGHT TO 5 FT.
3. THE MINIMUM BASIN WIDTH SHALL BE 9 FT.
4. DETERMINE EMERGENCY SPILLWAY LENGTH (FT.) USING $Q/0.8$, WHERE Q IS FLOW RATE (CFS) INTO BASIN.

REVISIONS

5/14/99

9/8/2023