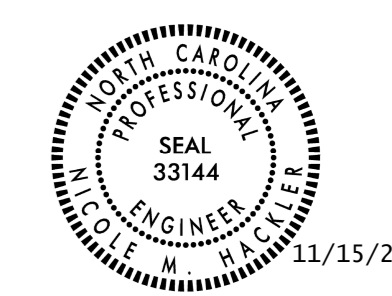
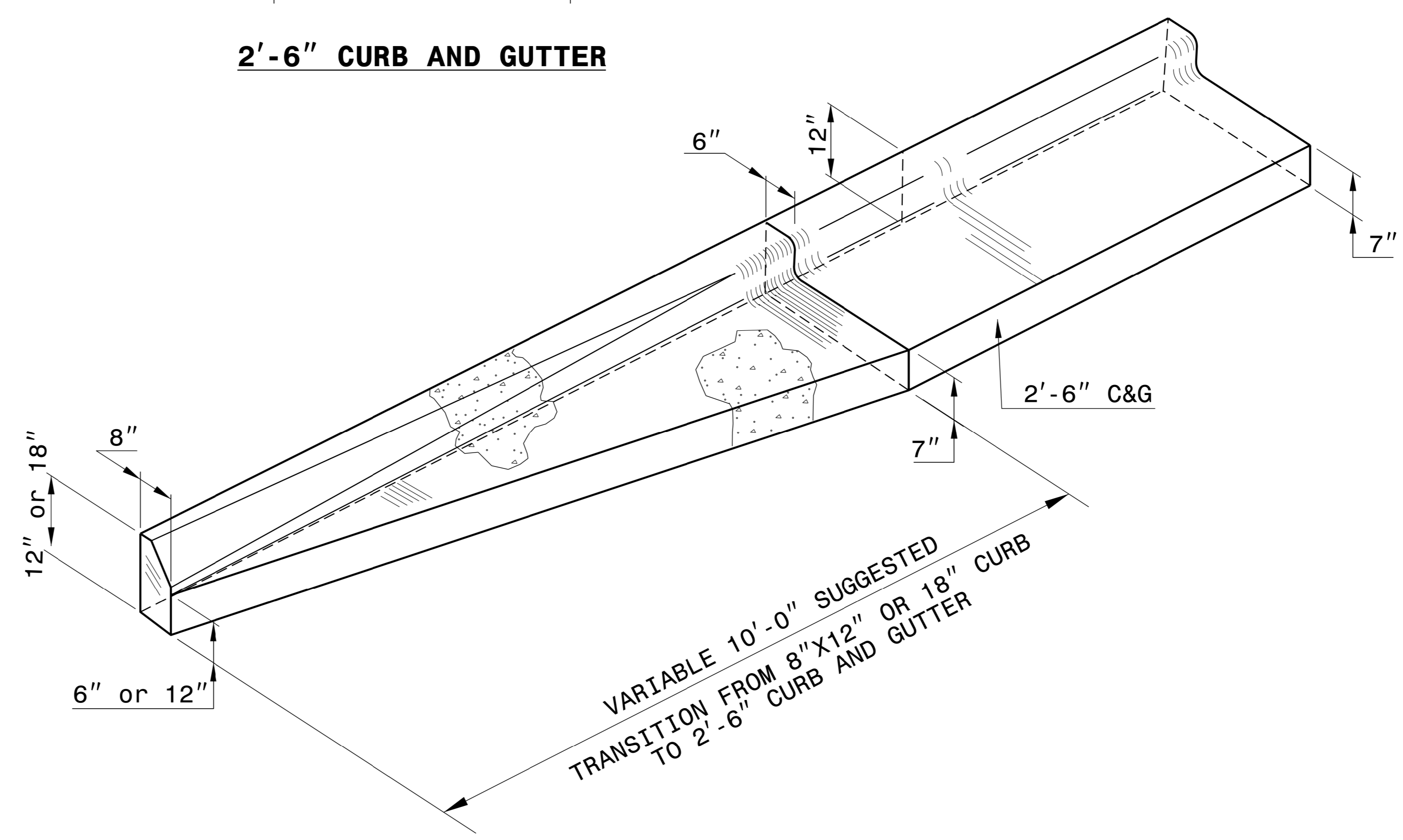
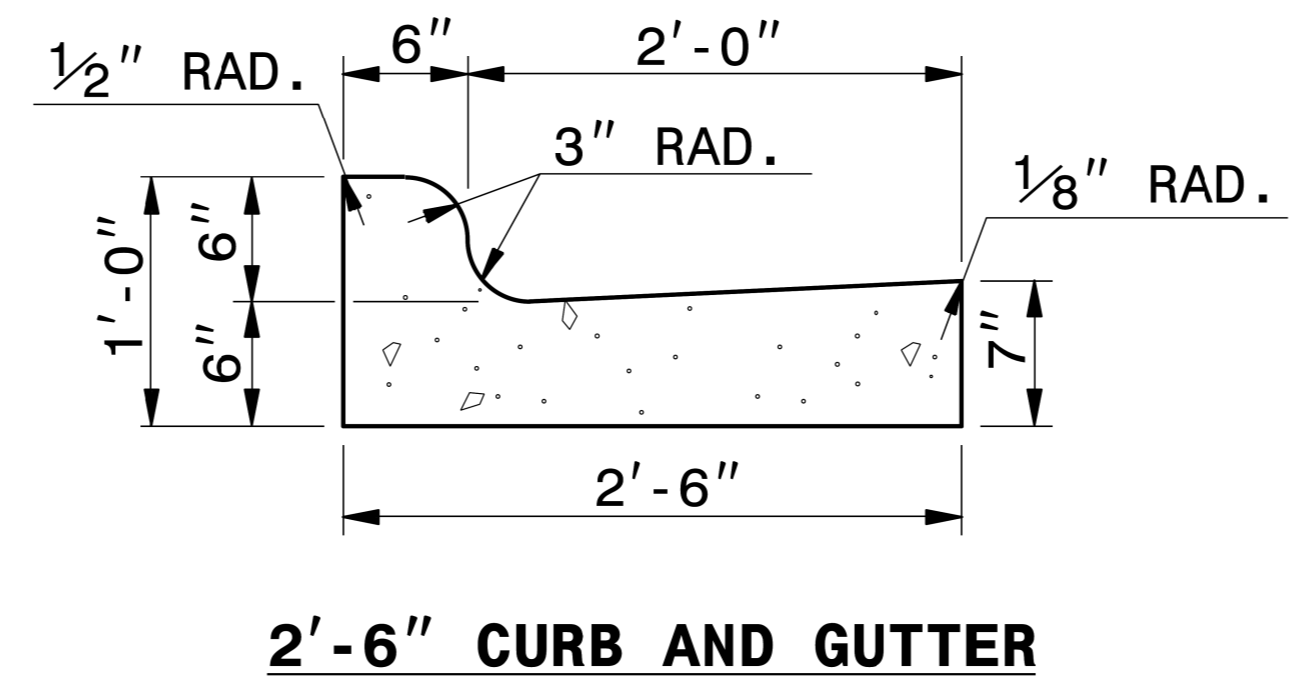
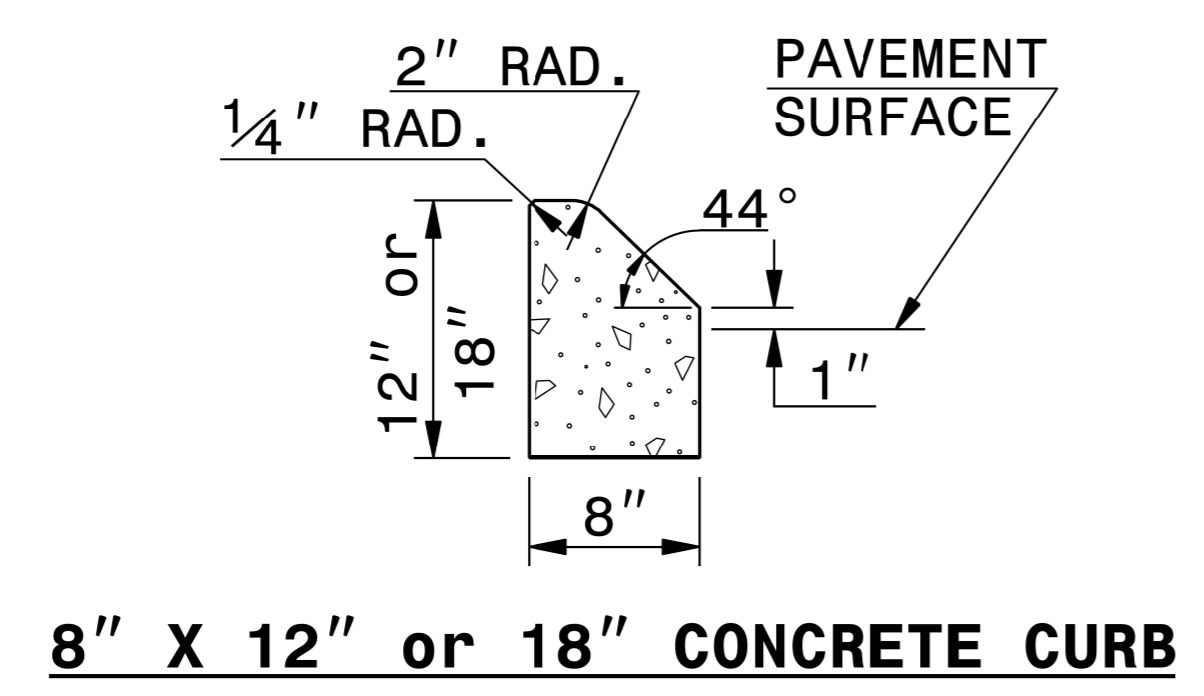


DOCUMENT NOT CONSIDERED FINAL
UNLESS ALL SIGNATURES COMPLETED

*NOTE: SEE STD. DWG. 846.01
FOR GENERAL NOTES



DocuSigned by:
Nicole M. Fischer
588432034164CS

11/15/2023

DOCUMENT NOT CONSIDERED FINAL
UNLESS ALL SIGNATURES COMPLETED

CONTRACT STANDARDS AND DEVELOPMENT UNIT	
Office 919-707-6950	FAX 919-250-4119
DETAIL OF 8" x 12" or 18" CURB TO 2'-6" CURB & GUTTER TRANSITION SECTION	
ORIGINAL BY: _____	DATE: _____
MODIFIED BY: K. KEMPF	DATE: 4-05-18
CHECKED BY: _____	DATE: _____
FILE SPEC.: _details/ericward/usr/details/stand/cptransit.dgn	