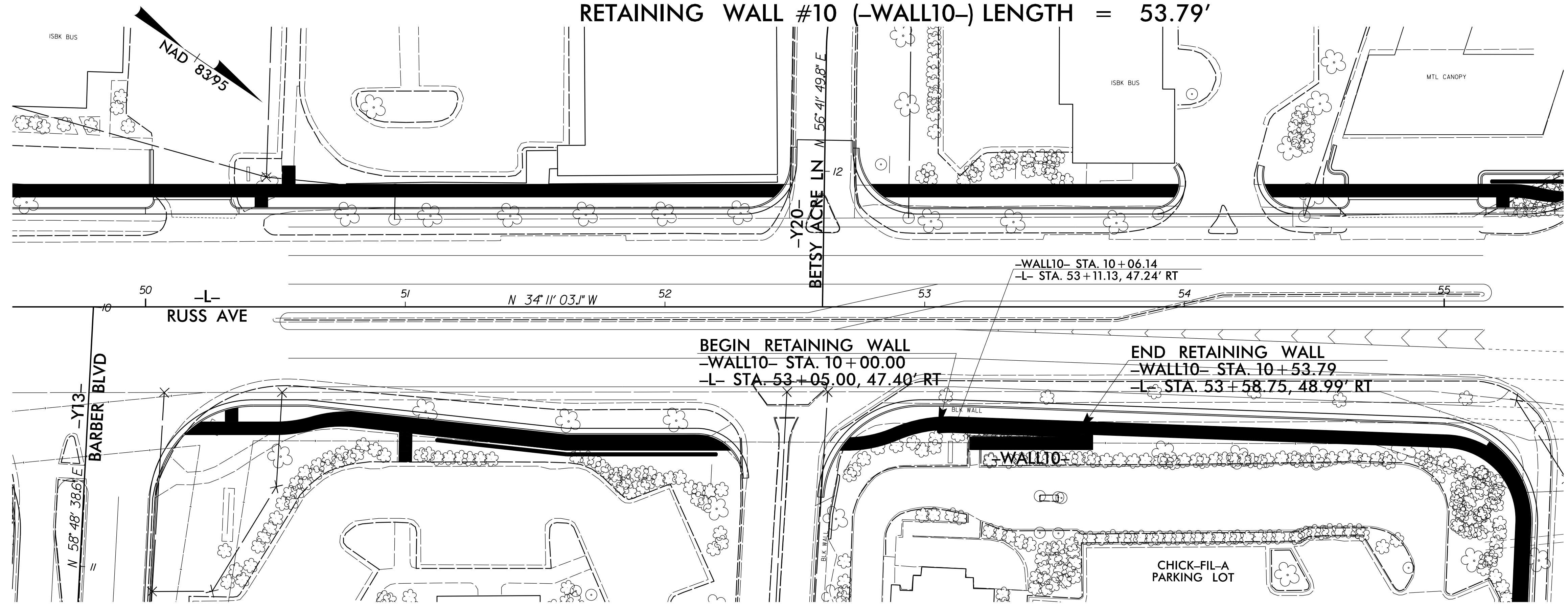


B.17/99

# PROPOSED RETAINING WALL #10

RETAINING WALL #10 (-WALL10-) LENGTH = 53.79'



GEOTECHNICAL ENGINEER

ENGINEER

Thomas J. Daily  
F29CMBBSF448F 3/31/2023

SIGNATURE DATE SIGNATURE DATE

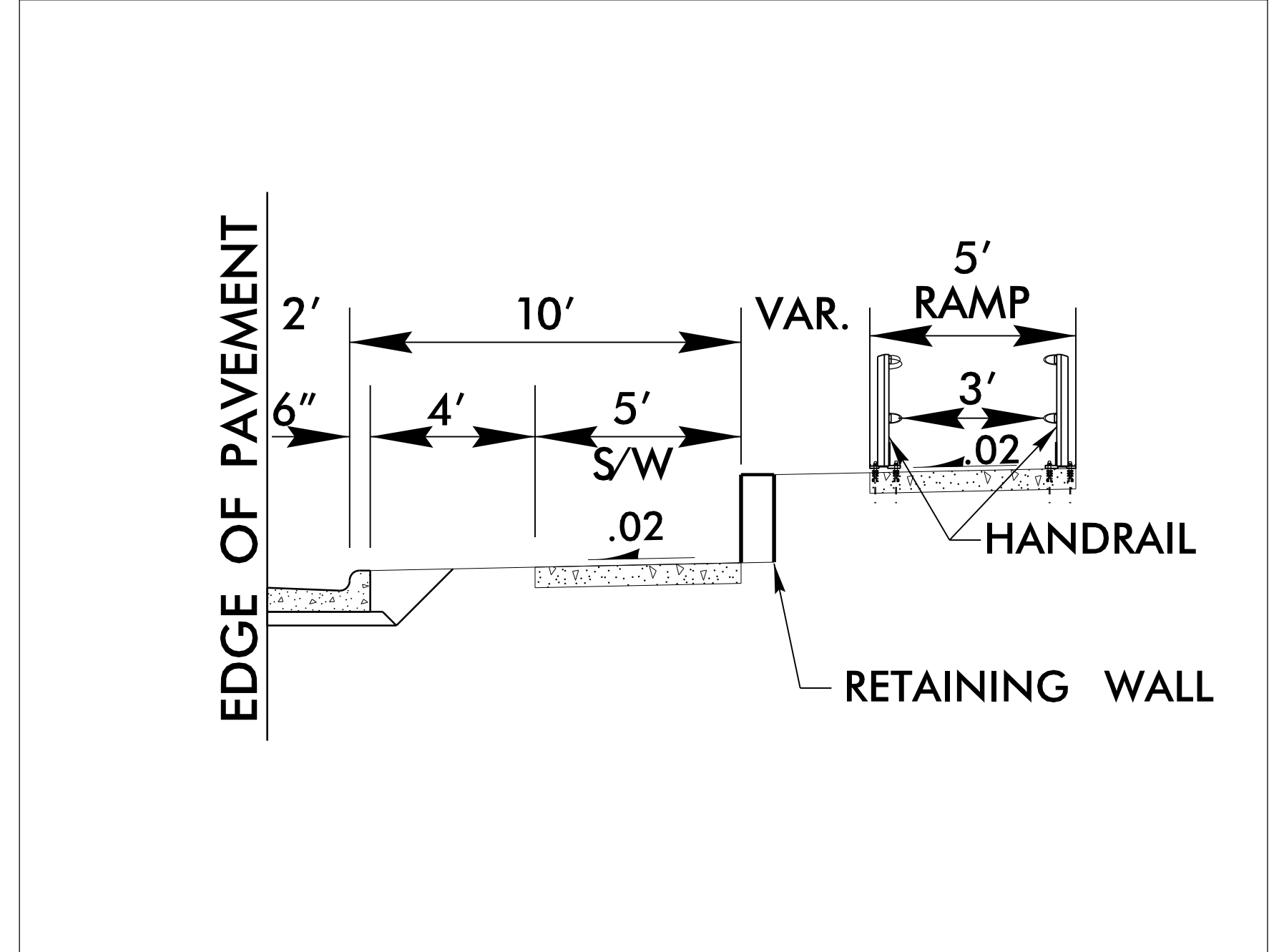
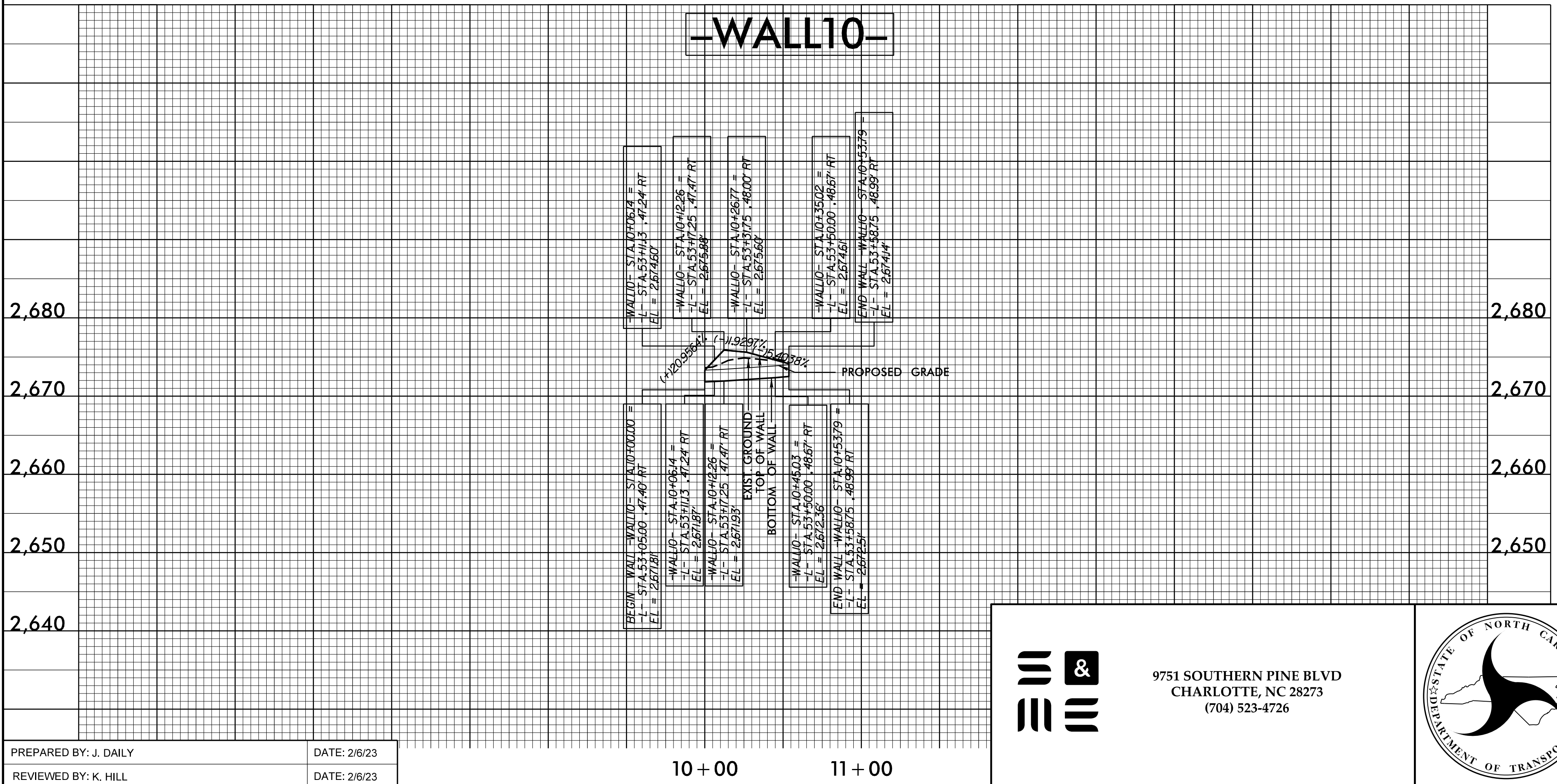
**DOCUMENT NOT CONSIDERED FINAL UNLESS ALL SIGNATURES COMPLETED**



(ENGLISH)

■ CONCRETE SIDEWALK / MEDIAN

NOTES:  
SEE SHEET 29 FOR -L- PROFILE  
SEE SHEET 12 FOR PLANS  
SEE SHEET X-16 FOR CROSS SECTIONS



PROJECT NO.: U-5839

HAYWOOD COUNTY

ST. TIME

PREPARED BY: J. DAILY DATE: 2/6/23

REVIEWED BY: K. HILL DATE: 2/6/23

7571 SOUTHERN PINE BLVD  
CHARLOTTE, NC 28273  
(704) 523-4726

NORTH CAROLINA  
DEPARTMENT OF TRANSPORTATION  
DIVISION OF HIGHWAYS

**GEOTECHNICAL  
ENGINEERING UNIT**

RETAINING WALL NO. 10

REVISIONS					
NO.	BY	DATE	NO.	BY	DATE
1			3		
2			4		

SHEET NO. W-8