

B.17/99

PROPOSED RETAINING WALL #2

RETAINING WALL #2 (-WALL2-) LENGTH = 88.56'

GEOTECHNICAL ENGINEER ENGINEER

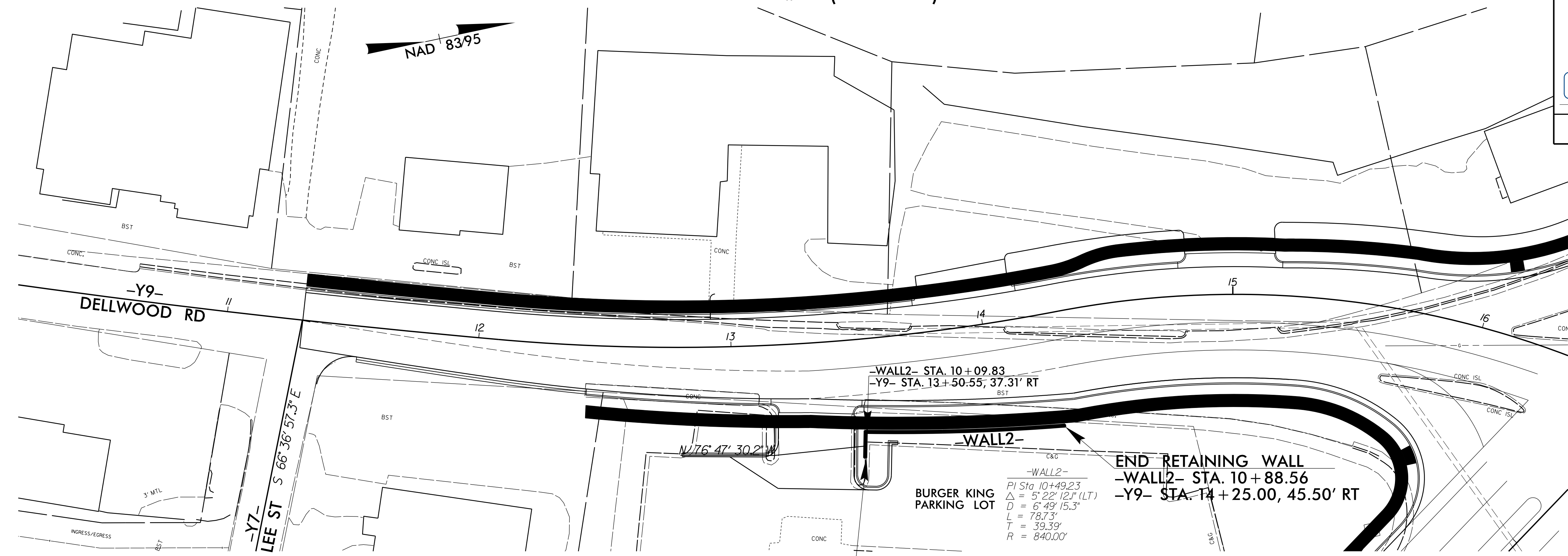
SEAL 045672 ENGINEER THOMAS J. DAILY

Thomas J. Daily 3/31/2023

DOCUMENT NOT CONSIDERED FINAL UNLESS ALL SIGNATURES COMPLETED



(ENGLISH)



BEGIN RETAINING WALL
-WALL2- STA. 10+00.00
-Y9- STA. 13+49.53, 47.09' RT

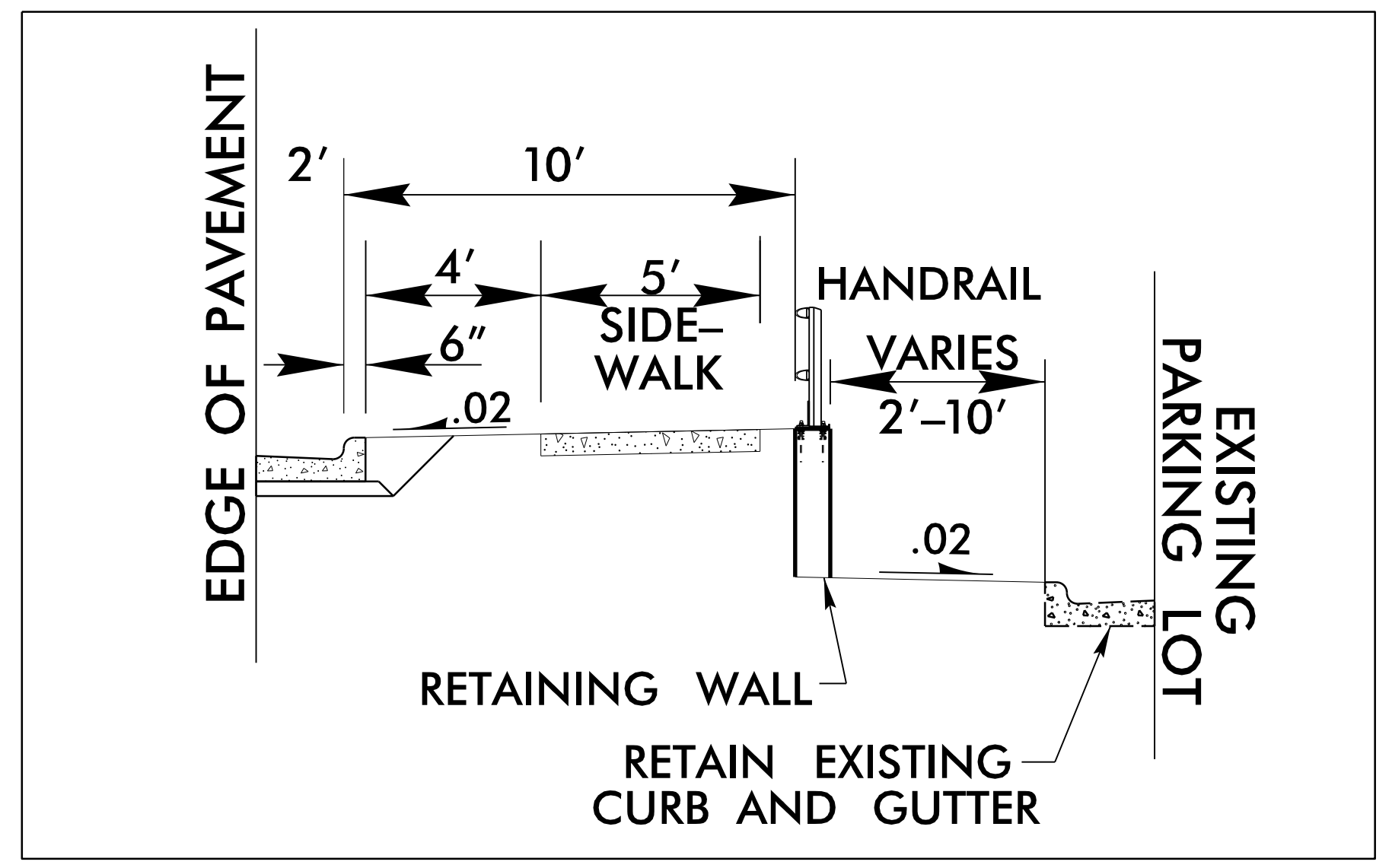
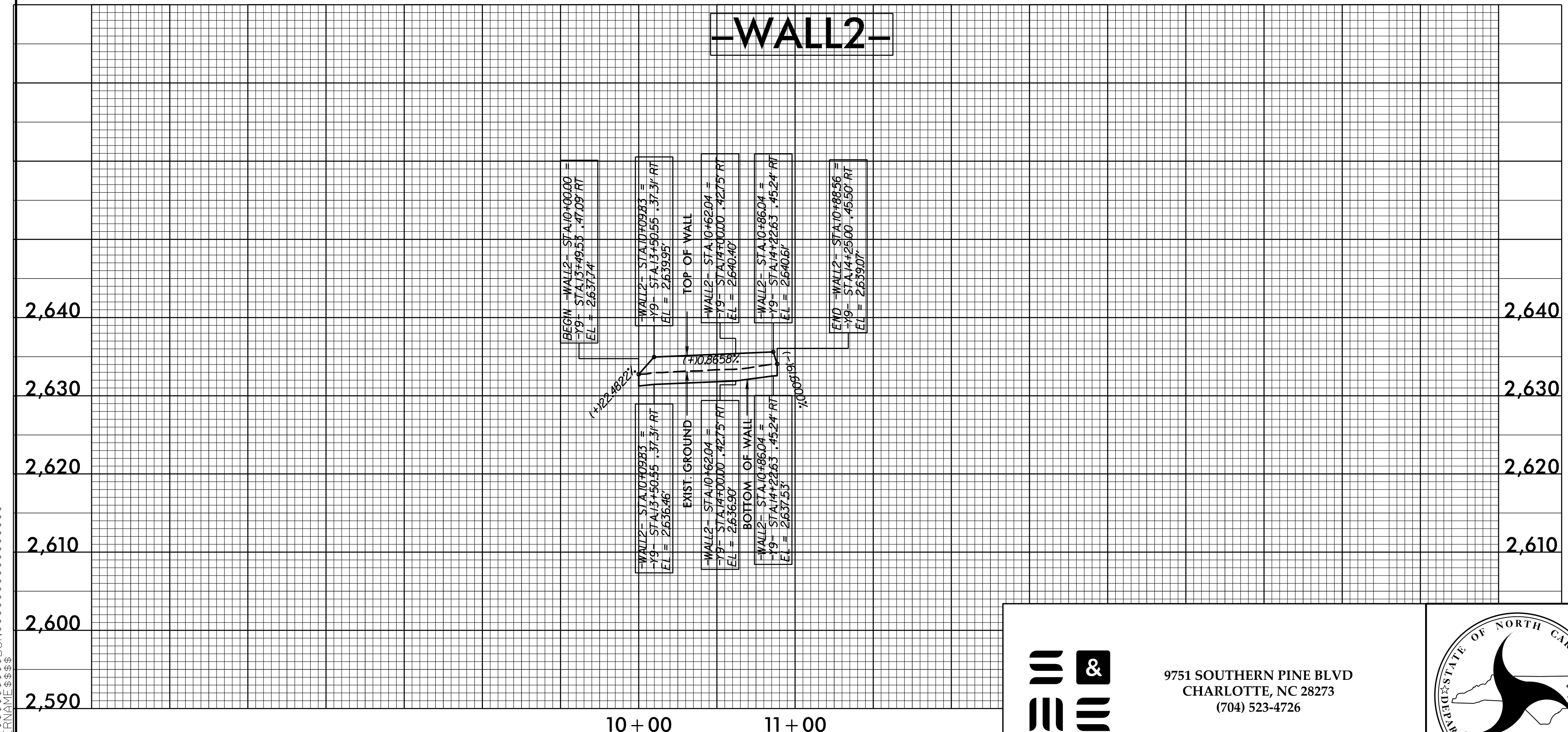
END RETAINING WALL
-WALL2- STA. 10+88.56
-Y9- STA. 14+25.00, 45.50' RT

BURGER KING PARKING LOT

$\Delta = 5^{\circ}22'12\text{J} \text{ (LT)}$
 $D = 6^{\circ}49'15.3\text{J}$
 $L = 78.73\text{J}$
 $T = 39.39\text{J}$
 $R = 840.00\text{J}$

CONCRETE SIDEWALK / MEDIAN

NOTES:
SEE SHEET 33 FOR -Y9- PROFILE
SEE SHEET 19 FOR PLANS
SEE SHEETS X-34 & X-35 FOR CROSS SECTIONS



PROJECT NO.: U-5839
HAYWOOD COUNTY

PREPARED BY: J. DAILY DATE: 2/6/23
REVIEWED BY: K. HILL DATE: 2/6/23

9751 SOUTHERN PINE BLVD
CHARLOTTE, NC 28273
(704) 523-4726

NORTH CAROLINA
DEPARTMENT OF TRANSPORTATION
DIVISION OF HIGHWAYS

GEOTECHNICAL
ENGINEERING UNIT

RETAINING WALL NO. 2

REVISIONS					
NO.	BY	DATE	NO.	BY	DATE
1			3		
2			4		

SHEET NO. W-2