

# ANCHOR HANGER WITH STOP RINGS AND EXPANSION COUPLINGS DETAIL

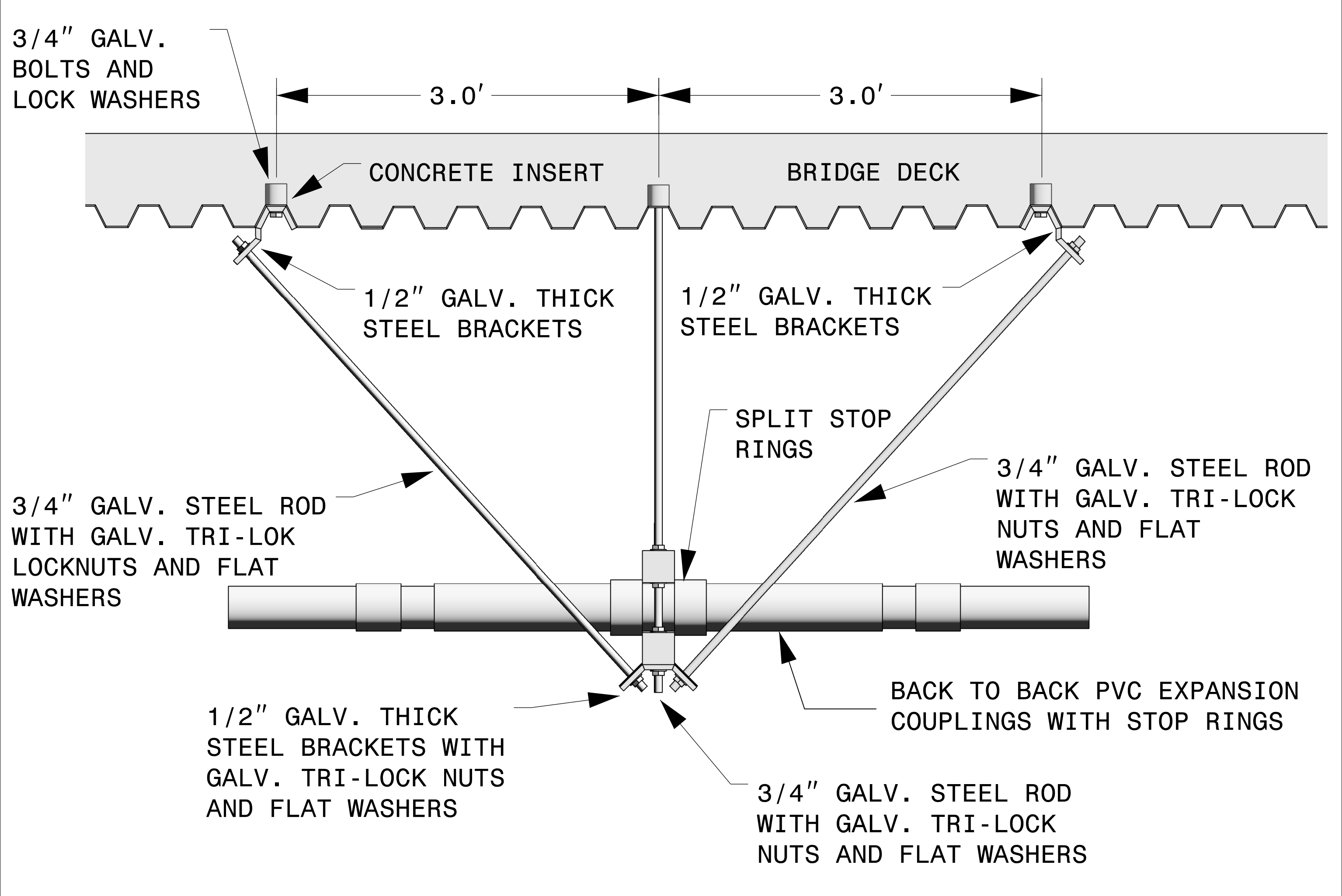
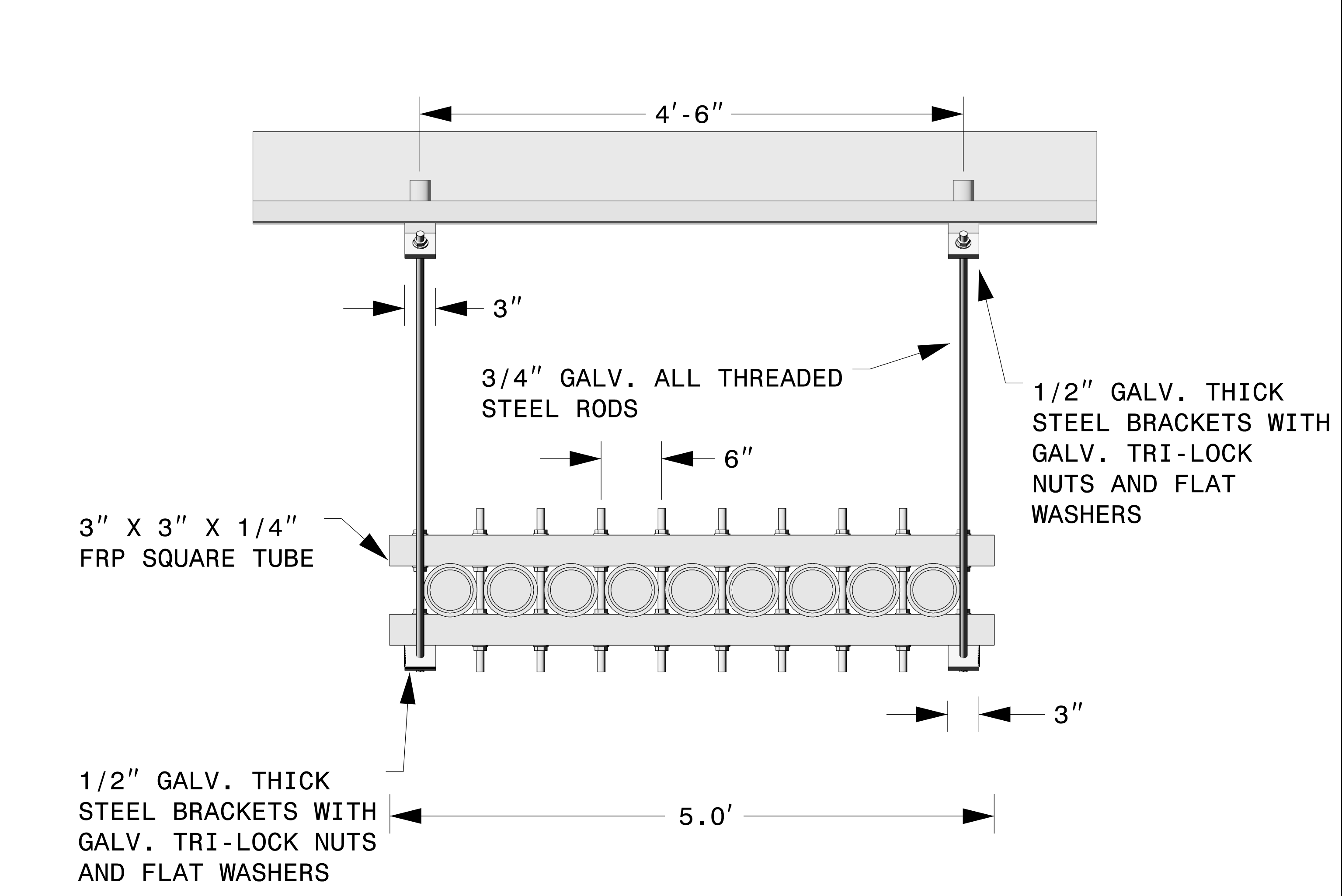
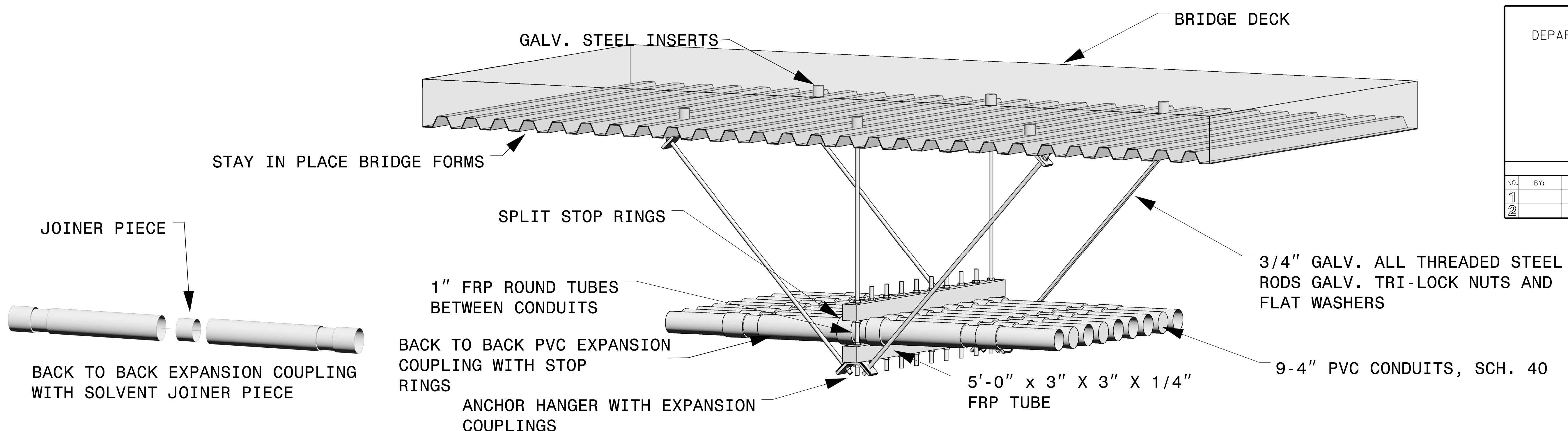
PROJECT NO. U-5839  
HAYWOOD COUNTY  
STATION: 31+45.00 -L- POT

STATE OF NORTH CAROLINA  
DEPARTMENT OF TRANSPORTATION  
RALEIGH

REVISIONS				SHEET NO.	
NO.	BY:	DATE:	NO.	BY:	DATE:
1			3		
2			4		

SHEET NO. SU-23  
TOTAL SHEETS

401 Harrison Oaks Blvd., Suite 200, Cary, NC 27513



DATE: 8/15/23 8:15 AM 8 FILES

DRAWN BY : W. B. ALLEN DATE : 4/19  
 CHECKED BY : Z. H. BROWN DATE : 4/19  
 DESIGN ENGINEER OF RECORD: L. K. AUSTIN DATE : 4/19

**DOCUMENT NOT CONSIDERED FINAL  
UNLESS ALL SIGNATURES COMPLETED**