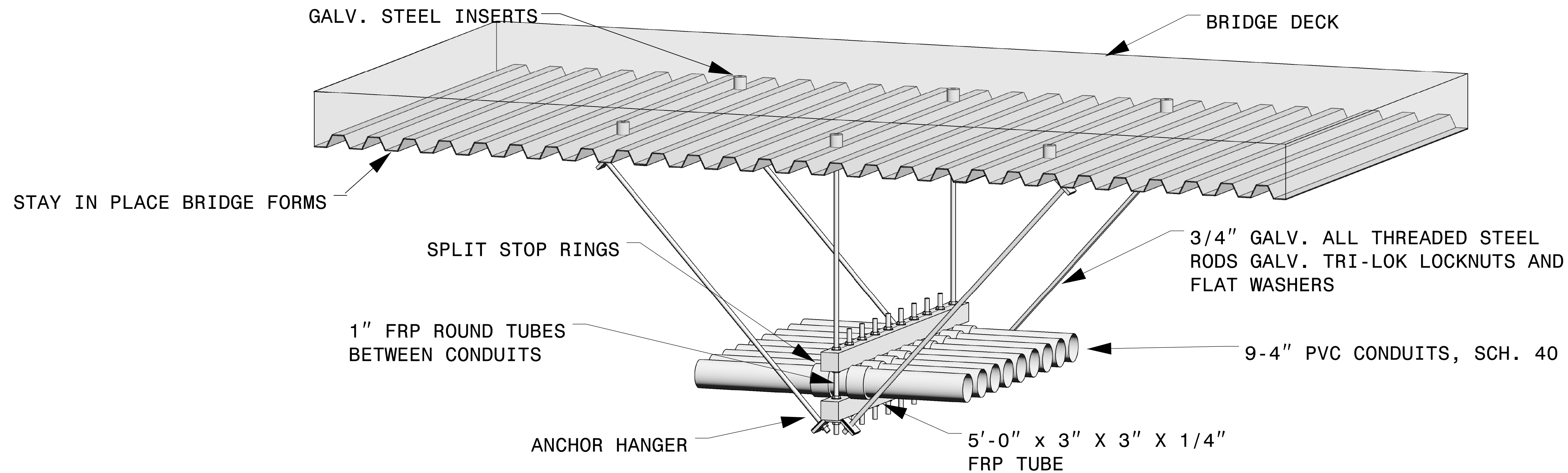


ANCHOR HANGER WITH STOP RINGS DETAIL

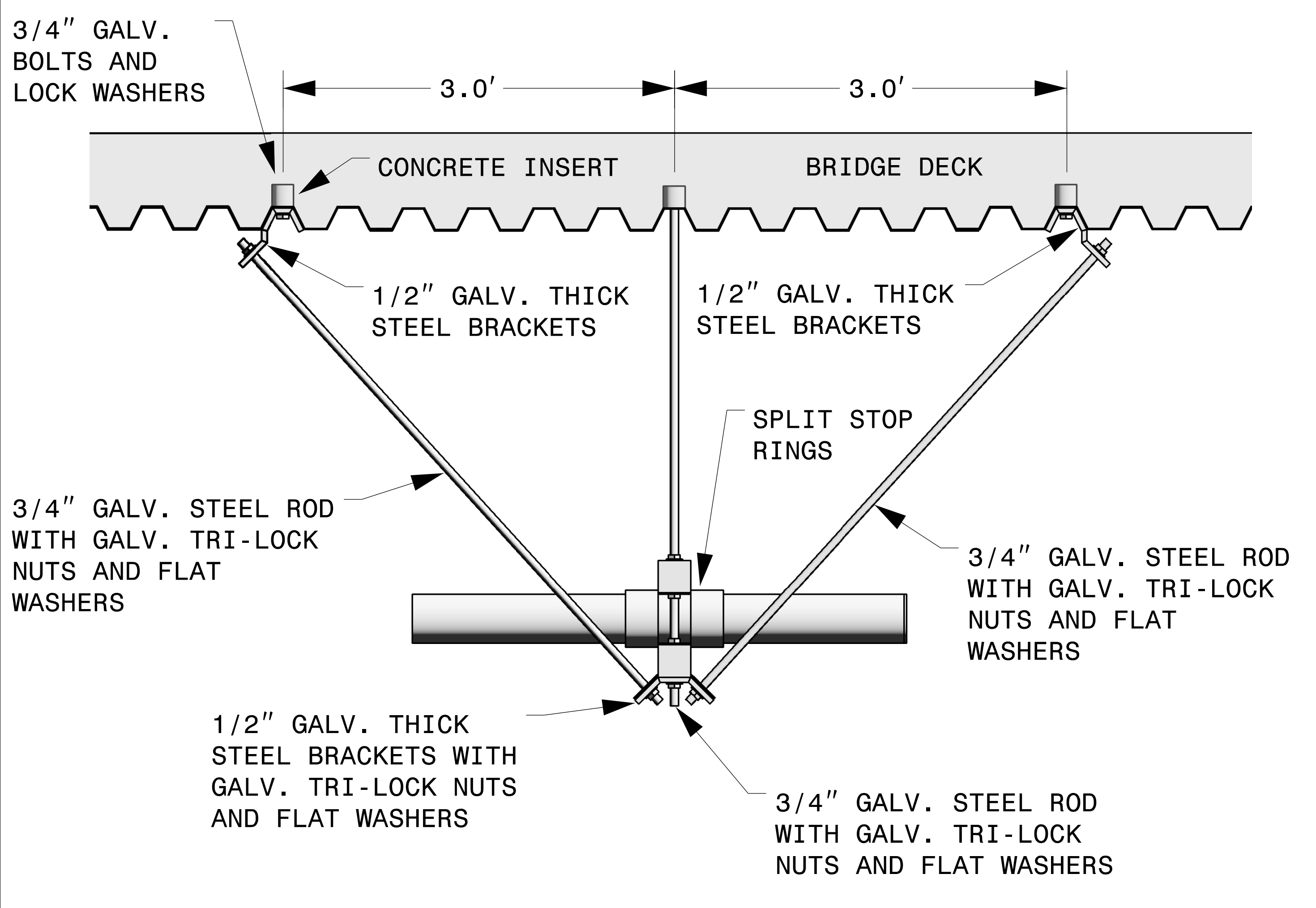
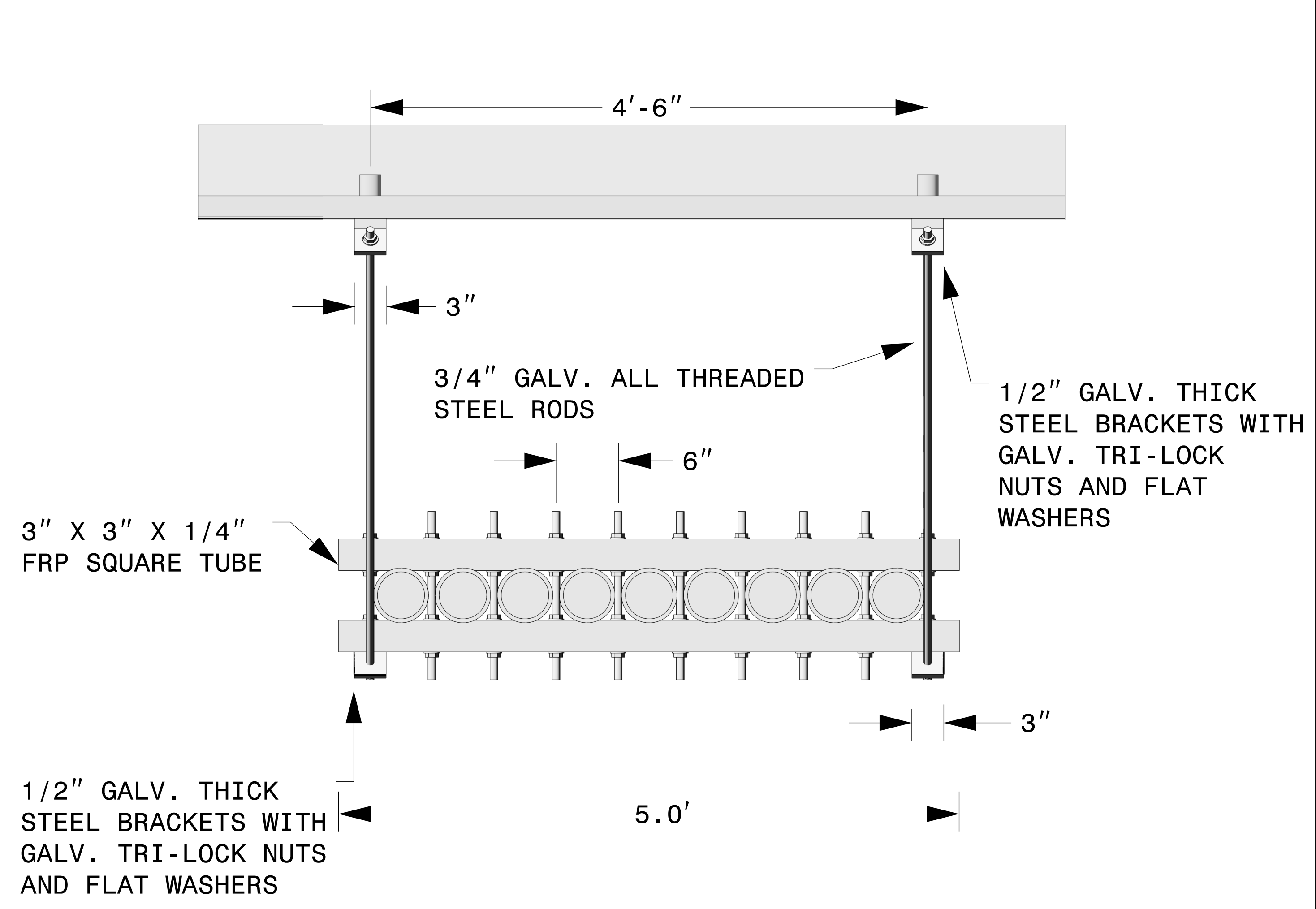
PROJECT NO. U-5839
 HAYWOOD COUNTY
 STATION: 31+45.00 -L- POT



STATE OF NORTH CAROLINA
 DEPARTMENT OF TRANSPORTATION
 RALEIGH

REVISIONS				SHEET NO.	
NO.	BY:	DATE:	NO.	BY:	DATE:
1			3		
2			4		

SHEET NO. SU-22
 TOTAL SHEETS .



DATE: 8:15 AM 8 FILES

DRAWN BY : W. B. ALLEN DATE : 4/19
 CHECKED BY : Z. H. BROWN DATE : 4/19
 DESIGN ENGINEER OF RECORD: L. K. AUSTIN DATE : 4/19

**DOCUMENT NOT CONSIDERED FINAL
 UNLESS ALL SIGNATURES COMPLETED**