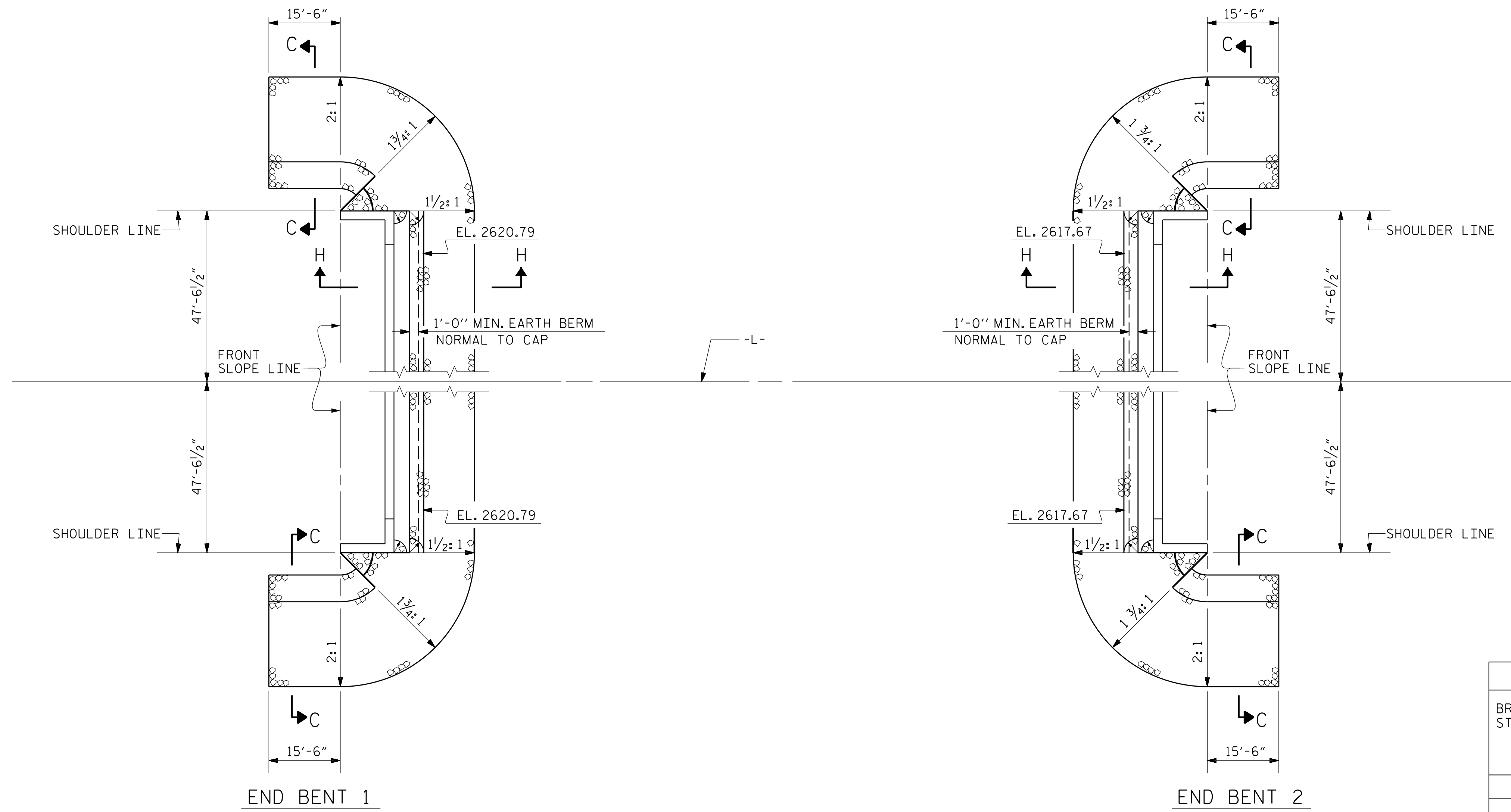
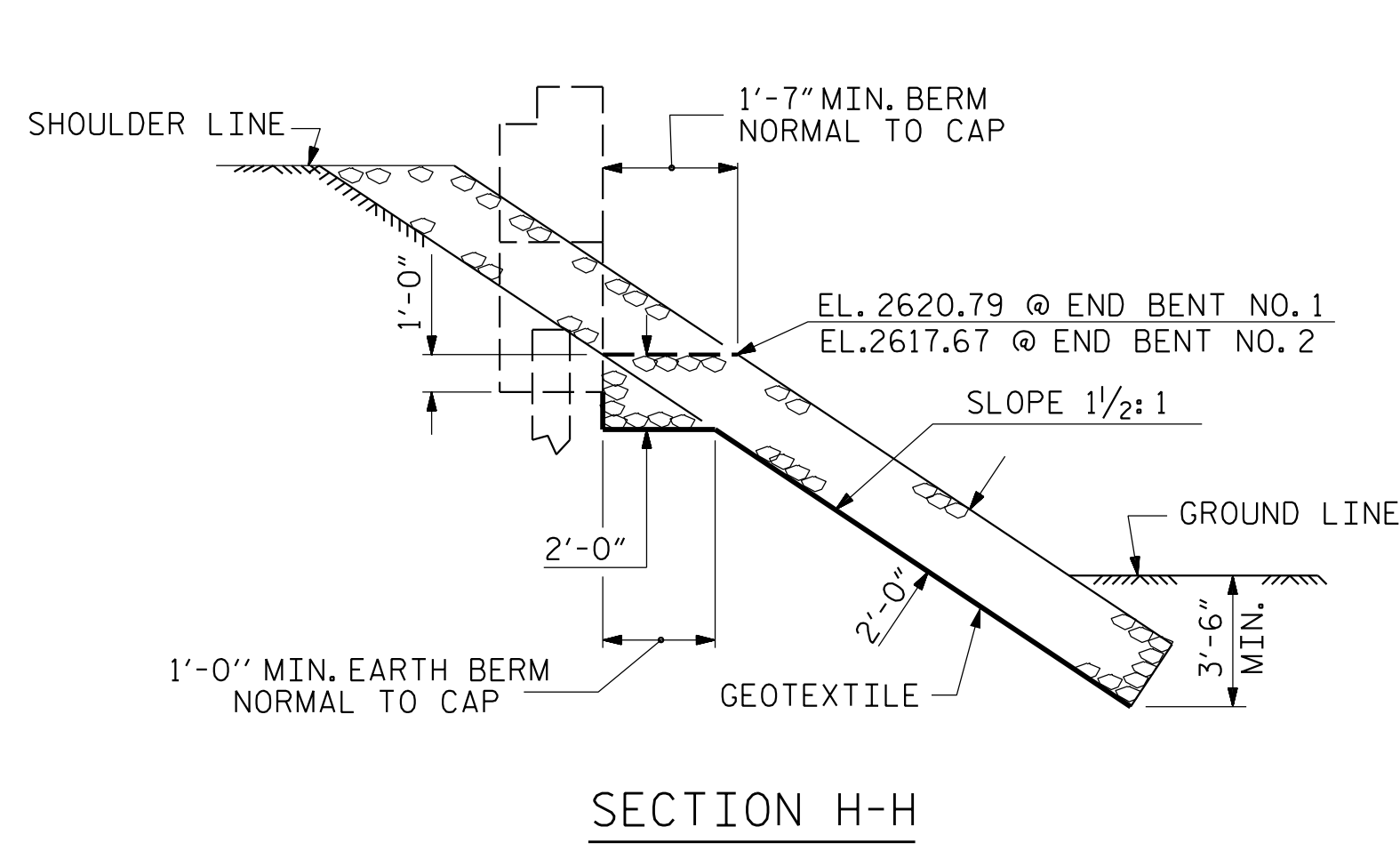


NOTES :
FOR BERM WIDTH DIMENSIONS, SEE GENERAL DRAWING.

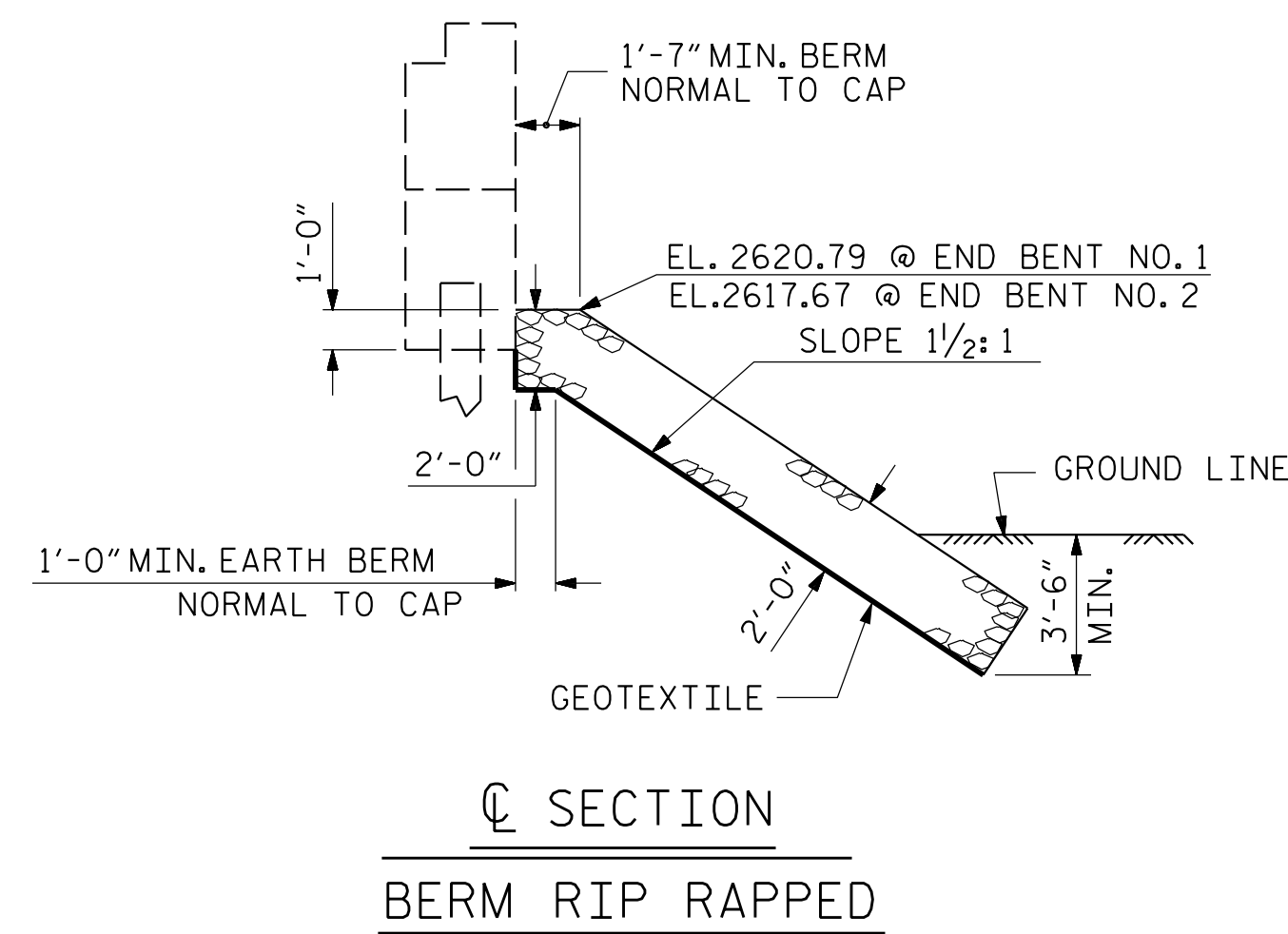


ESTIMATED QUANTITIES		
BRIDGE @ STA. 31+45.00 -L-	RIP RAP CLASS II (2'-0" THICK)	GEOTEXTILE FOR DRAINAGE
	TONS	SQUARE YARDS
END BENT 1	120	135
END BENT 2	90	100

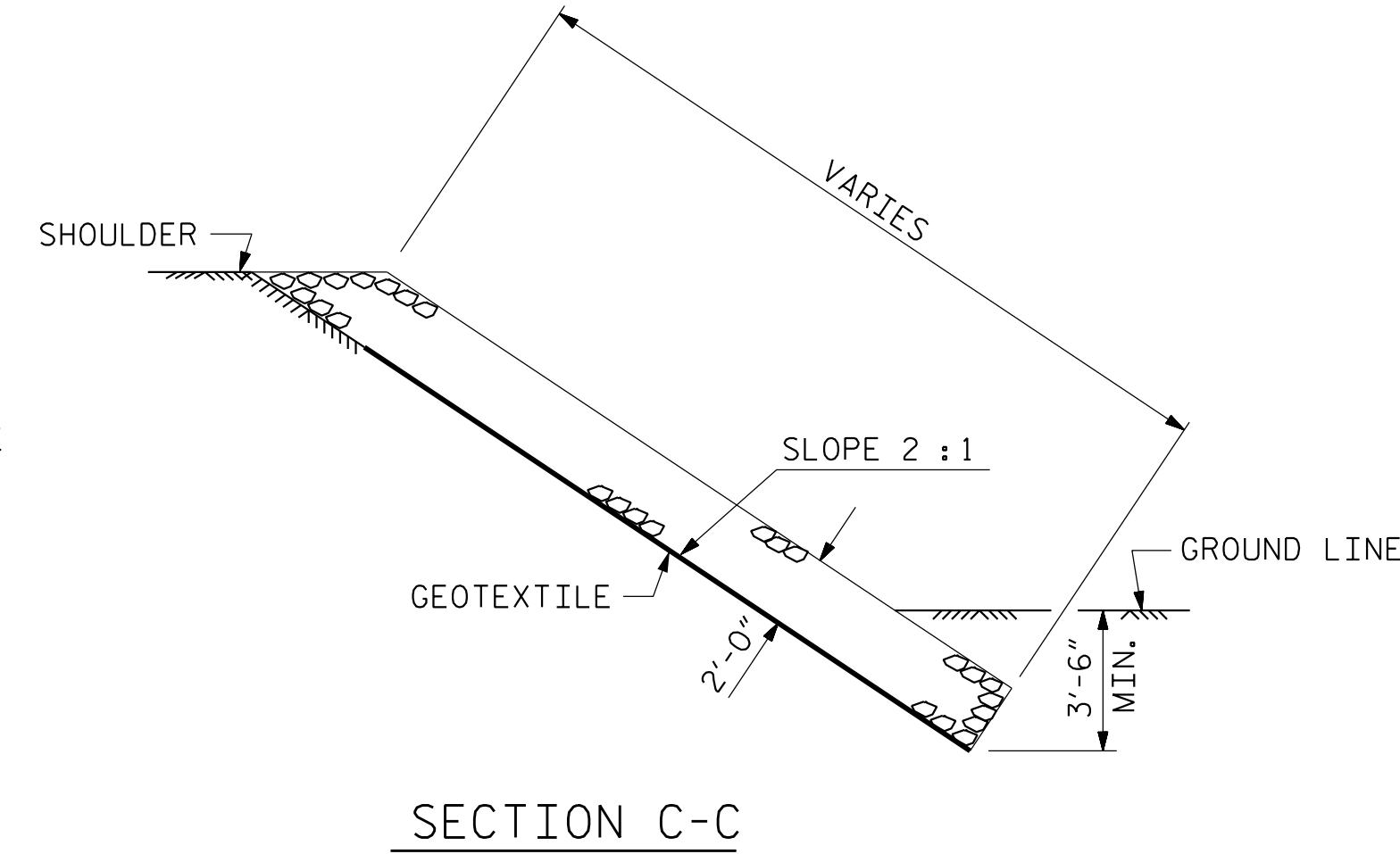
SHOULDER RIP RAP IS HIGHER THAN BERM RIP RAP



SECTION H-H



SECTION C-C
BERM RIP RAPPED



SECTION C-C

PROJECT NO. U-5839
HAYWOOD COUNTY
STATION: 31+45.00 -L- POT

STATE OF NORTH CAROLINA
DEPARTMENT OF TRANSPORTATION
RALEIGH

STANDARD
RIP RAP DETAILS

REVISIONS						SHEET NO.
NO.	BY:	DATE:	NO.	BY:	DATE:	TOTAL SHEETS
1			3			49
2			4			49

5/19/2023

PLANS PREPARED BY:

NV5

NV5 ENGINEERS & CONSULTANTS, INC.
3300 REGENCY PARKWAY, SUITE 100
CARY, NC 27518
P: 919.851.1912 www.nv5.com
NC License # F-1333

THIS STANDARD DRAWING REVIEWED & ADOPTED FOR USE AT THE REFERENCED LOCATION BY THE UNDERSIGNED:

DocuSigned by:
Robert C. Larson
SEAL
1414
BEB2398E222470

DOCUMENT NOT CONSIDERED FINAL
UNLESS ALL SIGNATURES COMPLETED

DESIGN ENGINEER OF RECORD : R. C. LARSON	DATE : 2/23
ASSEMBLED BY : W. B. ALLEN	DATE : 7/19
CHECKED BY : Z. H. BROWN	DATE : 7/19
DRAWN BY : REK 1/84	REV. 10/1/11 MAA/GM
CHECKED BY : RDU 1/84	REV. 12/21/11 MAA/GM
	REV. 12/17 MAA/THC

DocuSigned by:
BEB2398E222470

5/18/2023 12:00:05 PM R:\Structures\Bridges over Richard Creek\45 U5839-SMU-RR-43086.dgn