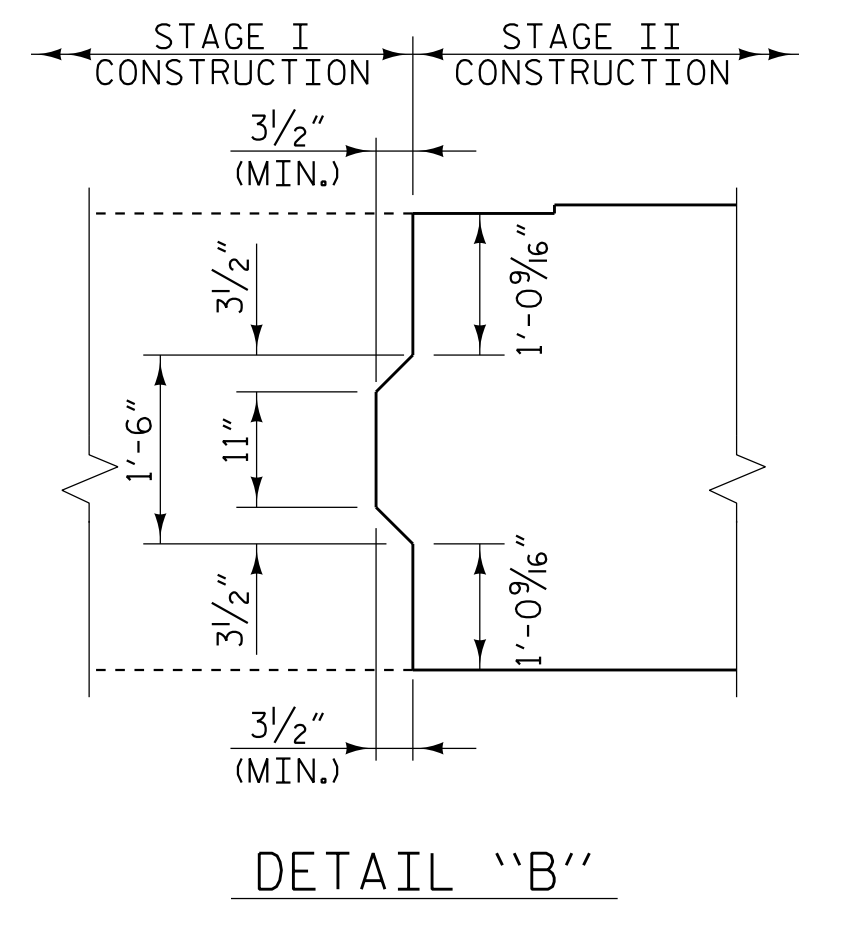
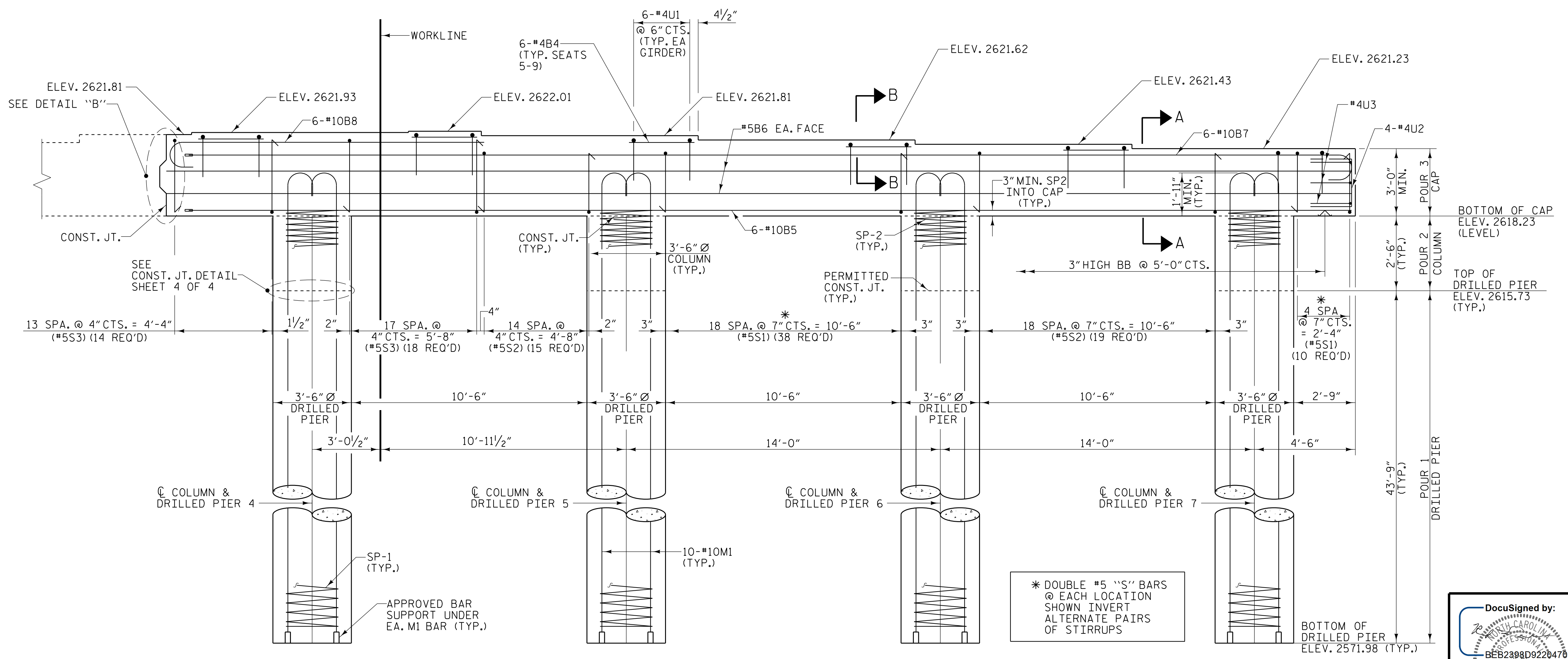


PLAN



DETAIL "B"



ELEVATION

PLANS PREPARED BY:

NV5

NV5 ENGINEERS & CONSULTANTS, INC.
 3300 REGENCY PARKWAY, SUITE 100
 CARY, NC 27518
 P: 919.851.1912 www.NV5.com
 NC License # F-5333

PROJECT NO. U-5839
HAYWOOD COUNTY
 STATION: 31+45.00 -L- POT

SHEET 2 OF 4

STATE OF NORTH CAROLINA
 DEPARTMENT OF TRANSPORTATION
 RALEIGH

SUBSTRUCTURE
BENT 2
 STAGE II

REVISIONS						SHEET NO.
NO.	BY:	DATE:	NO.	BY:	DATE:	TOTAL SHEETS
1			3			49
2			4			

DocuSigned by:

ROBERT C. LARSON
 PROFESSIONAL ENGINEER
 14114
 BEB2398D9220470

5/19/2023

**DOCUMENT NOT CONSIDERED FINAL
 UNLESS ALL SIGNATURES COMPLETED**

DRAWN BY: W. B. ALLEN DATE: 10/19
 CHECKED BY: Z. H. BROWN DATE: 11/19
 DESIGN ENGINEER OF RECORD: R. C. LARSON DATE: 2/23

DocuSigned by:

ROBERT C. LARSON
 PROFESSIONAL ENGINEER
 14114
 BEB2398D9220470

5/17/2023 7:03:51 PM R:\Structures\Bent2\Bent2.dgn