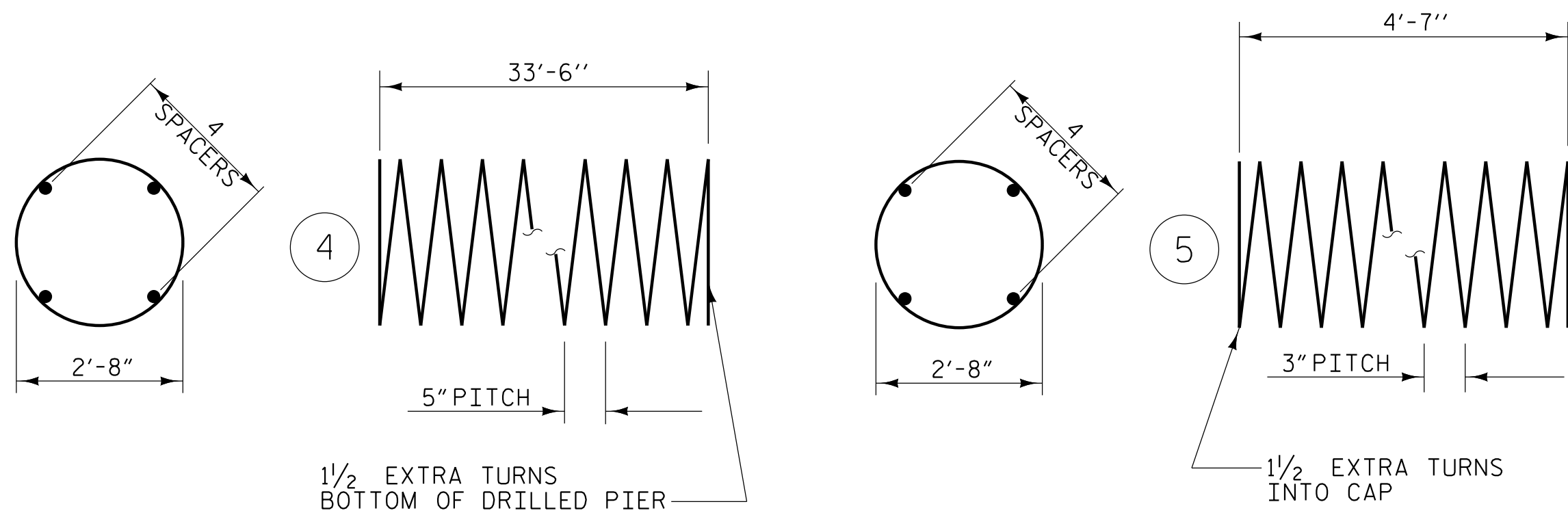
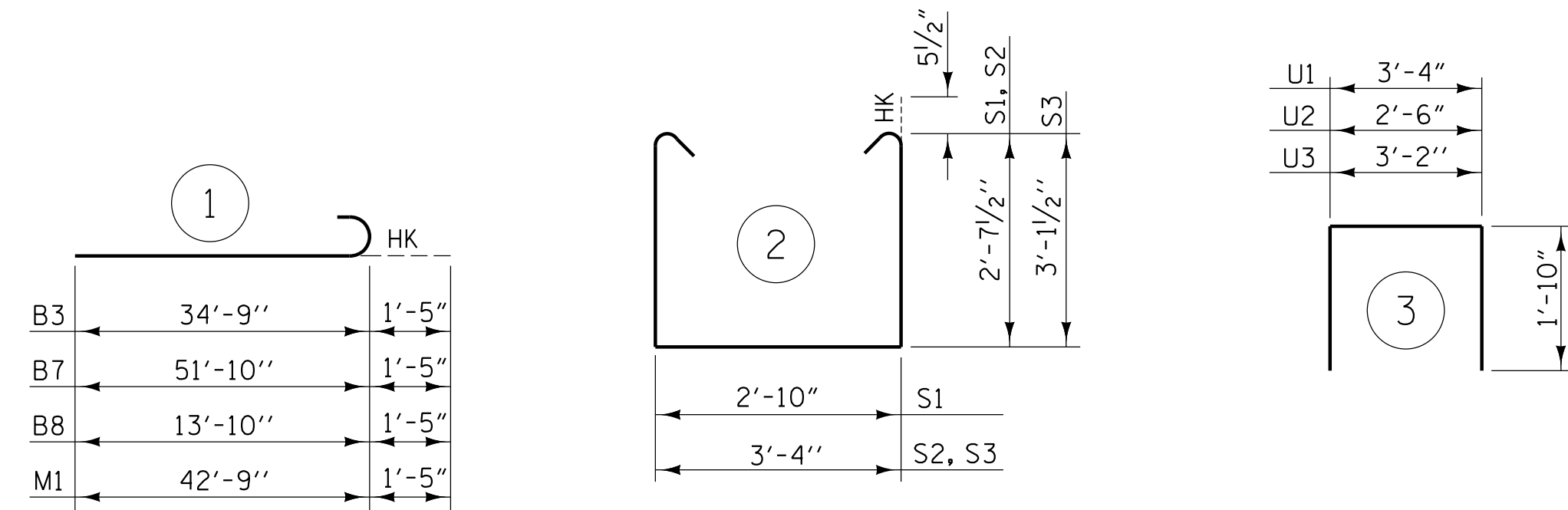


BAR TYPES

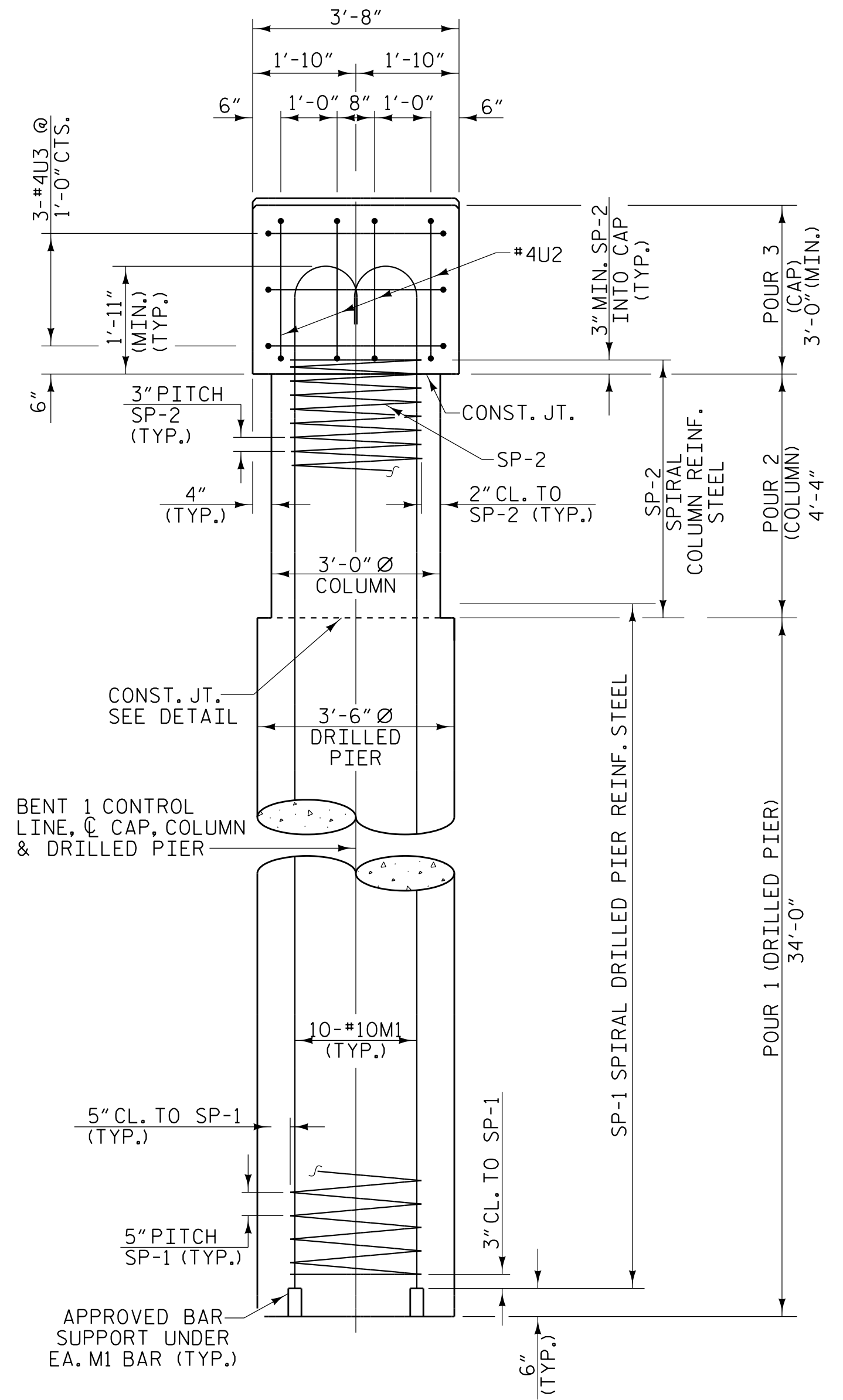


ALL BAR DIMENSIONS ARE OUT TO OUT

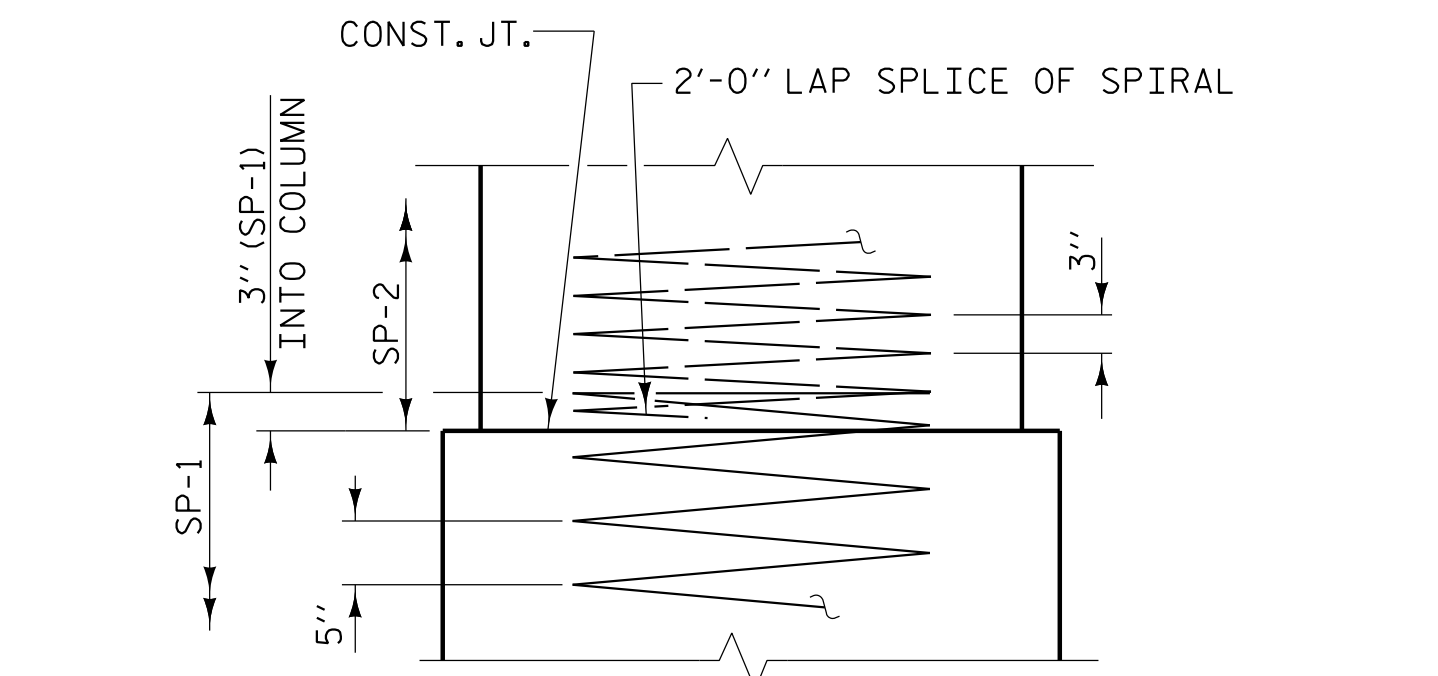
** THE SP-1 SPIRAL REINFORCING STEEL SHALL BE W31 OR D-31 COLD DRAWN WIRE OR #5 PLAIN OR DEFORMED BAR.
 *** THE SP-2 SPIRAL REINFORCING STEEL SHALL BE W20 OR D-20 COLD DRAWN WIRE OR #4 PLAIN OR DEFORMED BAR.
 ▲ NO SEPARATE PAYMENT WILL BE MADE FOR CSL TUBES. CSL TUBES WILL BE INCLUDED IN THE UNIT BID PRICE FOR DRILLED PIERS.

BILL OF MATERIAL

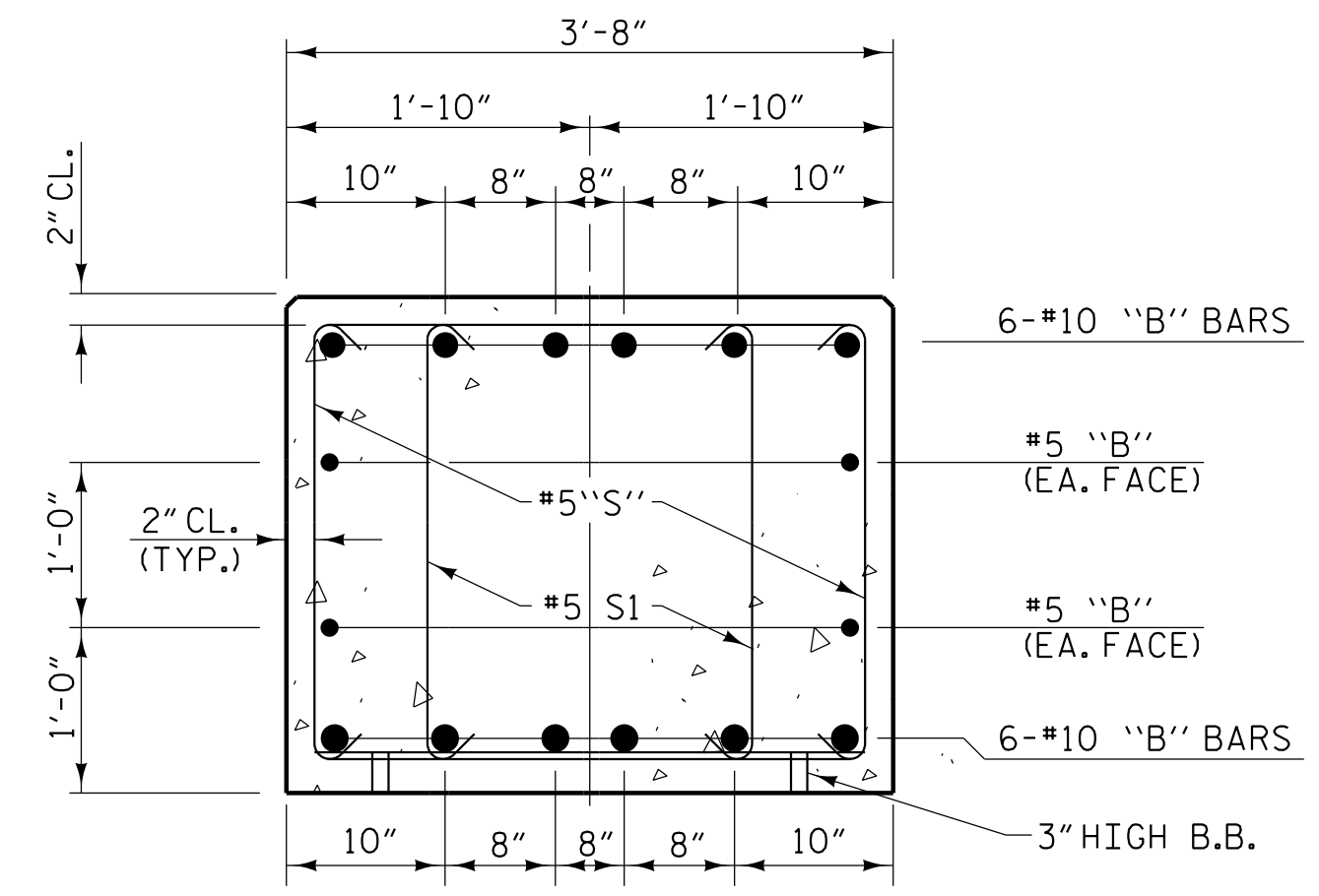
BENT 1 - STAGE I						BENT 1 - STAGE II							
BAR	NO.	SIZE	TYPE	LENGTH	WEIGHT	BAR	NO.	SIZE	TYPE	LENGTH	WEIGHT		
B1	6	#10	STR	34'-9"	897	B4	30	#4	STR	2'-11"	58		
B2	4	#5	STR	36'-9"	153	B5	6	#10	STR	51'-10"	1338		
B3	6	#10	1	36'-2"	934	B6	4	#5	STR	52'-10"	220		
B4	18	#4	STR	2'-11"	35	B7	6	#10	1	53'-3"	1375		
						B8	6	#10	1	15'-3"	394		
M1	30	#10	1	44'-2"	5701	M1	40	#10	1	44'-2"	7602		
S1	10	#5	2	9'-0"	94	S1	48	#5	2	9'-0"	451		
S2	41	#5	2	9'-6"	406	S2	34	#5	2	9'-6"	337		
U1	24	#4	3	7'-0"	112	S3	32	#5	2	10'-6"	350		
U2	4	#4	3	6'-2"	16	U1	36	#4	3	7'-0"	168		
U3	3	#4	3	6'-10"	14	U2	4	#4	3	6'-2"	16		
						U3	3	#4	3	6'-10"	14		
TOTAL REINFORCING STEEL						8362 lbs.	TOTAL REINFORCING STEEL						12323 lbs.
SP-1	3	**	4	673'-7"	2108	SP-1	4	**	4	673'-7"	2810		
SP-2	3	***	5	163'-8"	328	SP-2	4	***	5	163'-8"	437		
SPIRAL COLUMN REINFORCING STEEL (SP)						2436 LBS	SPIRAL COLUMN REINFORCING STEEL (SP)						3247 LBS
CLASS "A" CONCRETE - CU. YARDS							CLASS "A" CONCRETE - CU. YARDS						
POUR 2 - COLUMN						3.4 CU. YDS.	POUR 2 - COLUMN						4.5 CU. YDS.
POUR 3 - CAP						14.9 CU. YDS.	POUR 3 - CAP						24.5 CU. YDS.
TOTAL						18.3 CU. YDS.	TOTAL						29.0 CU. YDS.
DRILLED PIERS							DRILLED PIERS						
DRILLED PIER CONCRETE POUR 1 (DRILLED PIERS)						36.3 C.Y.	DRILLED PIER CONCRETE POUR 1 (DRILLED PIERS)						48.5 C.Y.
3'-6" Ø DRILLED PIER IN SOIL						61.3 LIN. FT.	3'-6" Ø DRILLED PIER IN SOIL						81.7 LIN. FT.
3'-6" Ø DRILLED PIER NOT IN SOIL						40.7 LIN. FT.	3'-6" Ø DRILLED PIER NOT IN SOIL						54.3 LIN. FT.
PERMANENT STEEL CASING FOR 3'-6" Ø DRILLED PIER						74.8 LIN. FT.	PERMANENT STEEL CASING FOR 3'-6" Ø DRILLED PIER						99.7 LIN. FT.
▲ CSL TUBES						426.0 LIN FT.	▲ CSL TUBES						568.0 LIN FT.



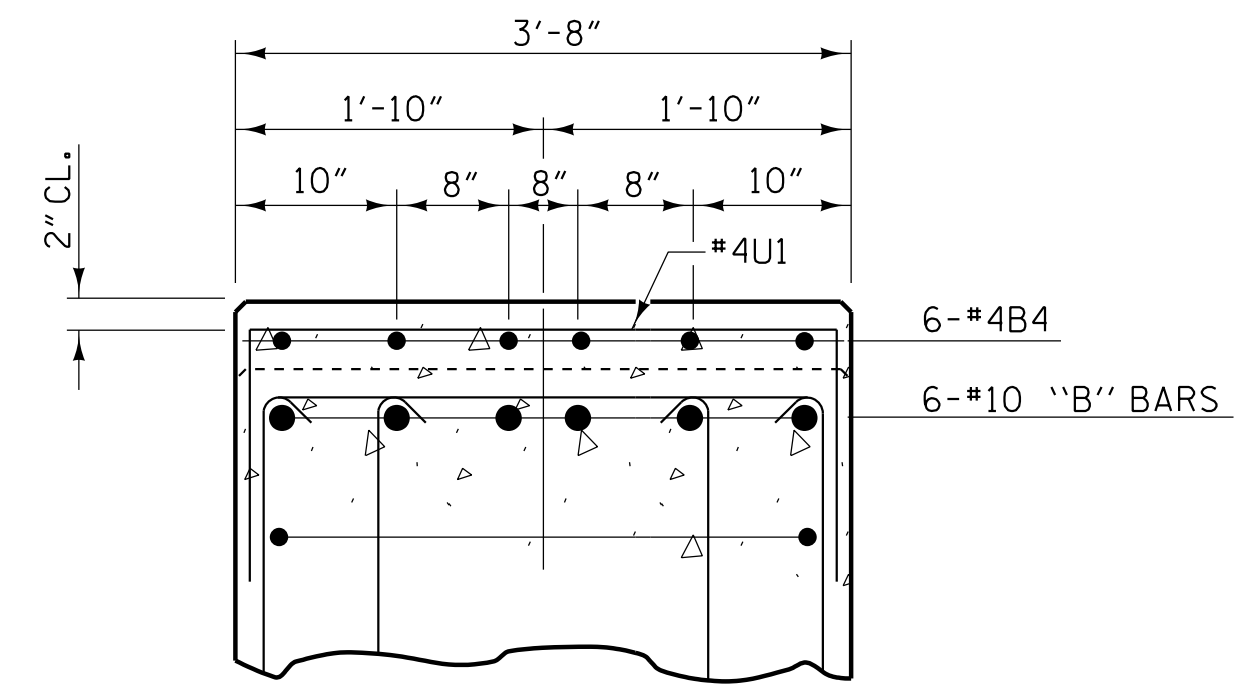
END ELEVATION



CONSTRUCTION JOINT DETAIL



SECTION A-A



SECTION B-B

5/17/2023 7:03:30 PM R:\Structures\Bent over Richard Creek\36 U5839_SMU B4_43086.dgn

DRAWN BY : W. B. ALLEN DATE : 10/19
 CHECKED BY : Z. H. BROWN DATE : 11/19
 DESIGN ENGINEER OF RECORD: R. C. LARSON DATE : 2/23

DocuSigned by:
 BEB2398D9220470

PLANS PREPARED BY:
NV5
 NV5 ENGINEERS & CONSULTANTS, INC.
 3300 REGENCY PARKWAY, SUITE 100
 CARY, NC 27518
 P: 919.851.1912 www.NV5.com
 NC License # F-1333

**DOCUMENT NOT CONSIDERED FINAL
 UNLESS ALL SIGNATURES COMPLETED**

DocuSigned by:

 BEB2398D9220470
 5/19/2023

PROJECT NO. U-5839
HAYWOOD COUNTY
 STATION: 31+45.00 -L- POT

SHEET 4 OF 4

STATE OF NORTH CAROLINA DEPARTMENT OF TRANSPORTATION RALEIGH					
SUBSTRUCTURE BENT 1					
REVISIONS					
NO.	BY:	DATE:	NO.	BY:	DATE:
1			3		
2			4		
SHEET NO. S2-36					TOTAL SHEETS 49