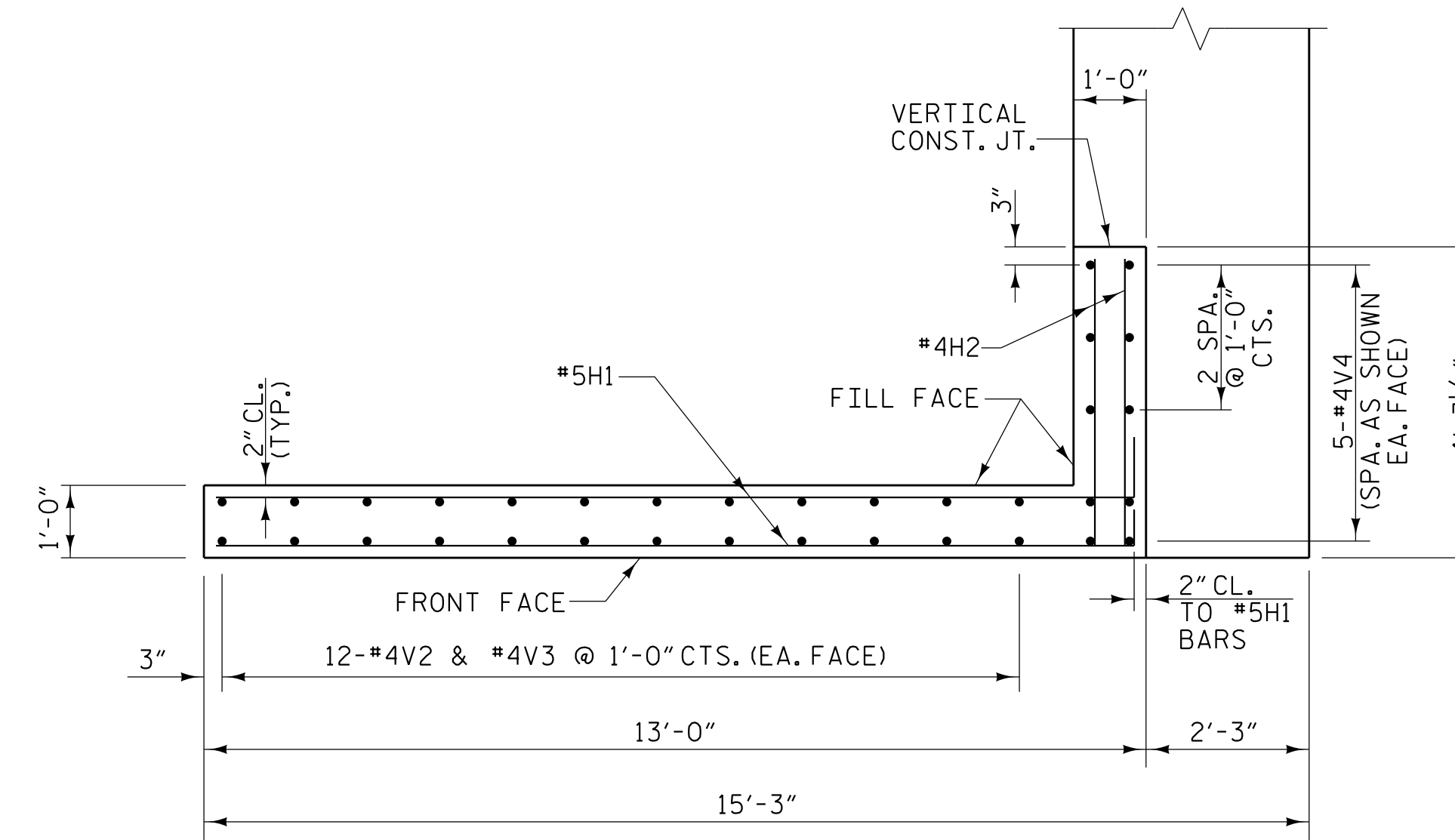
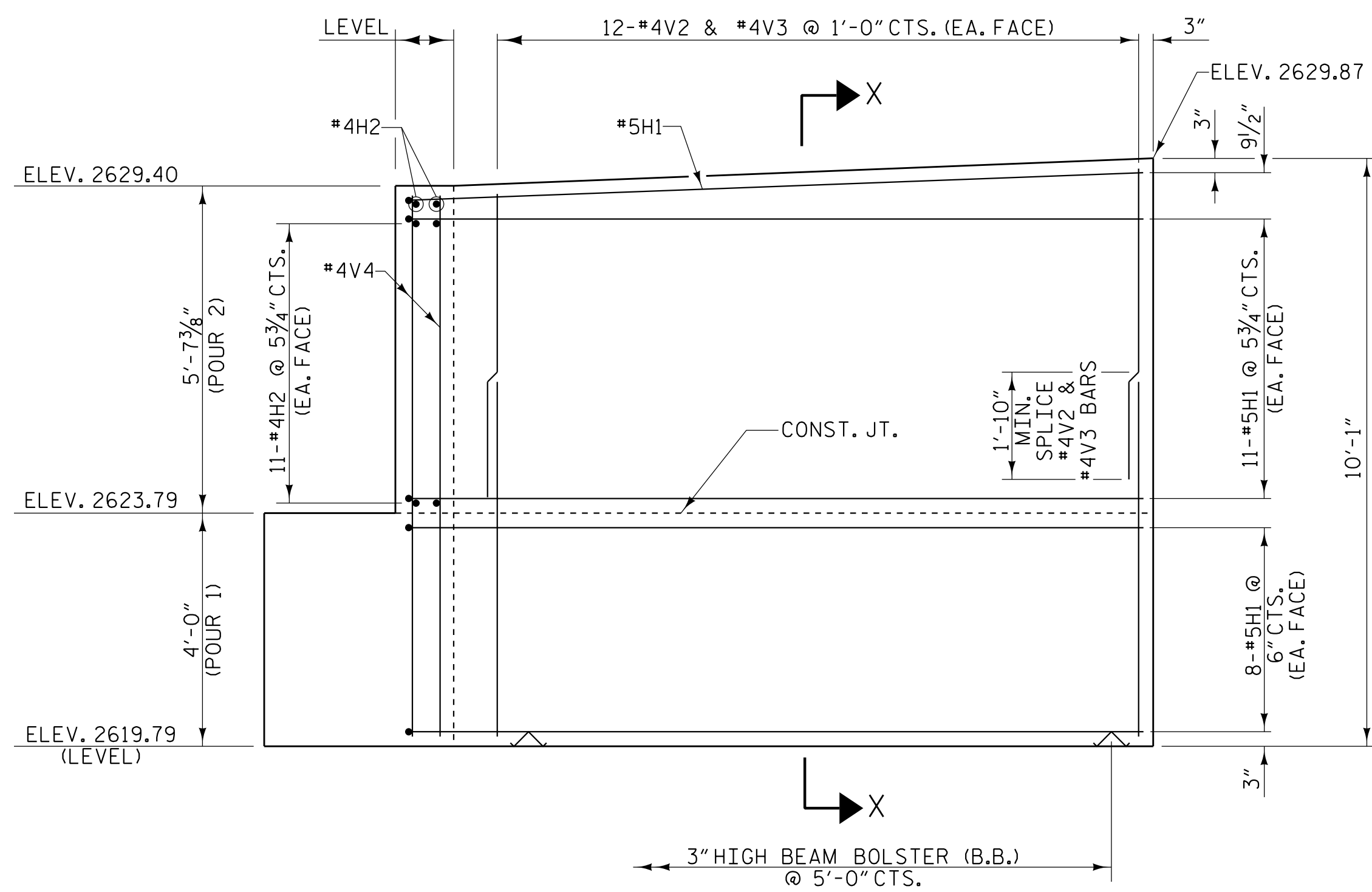


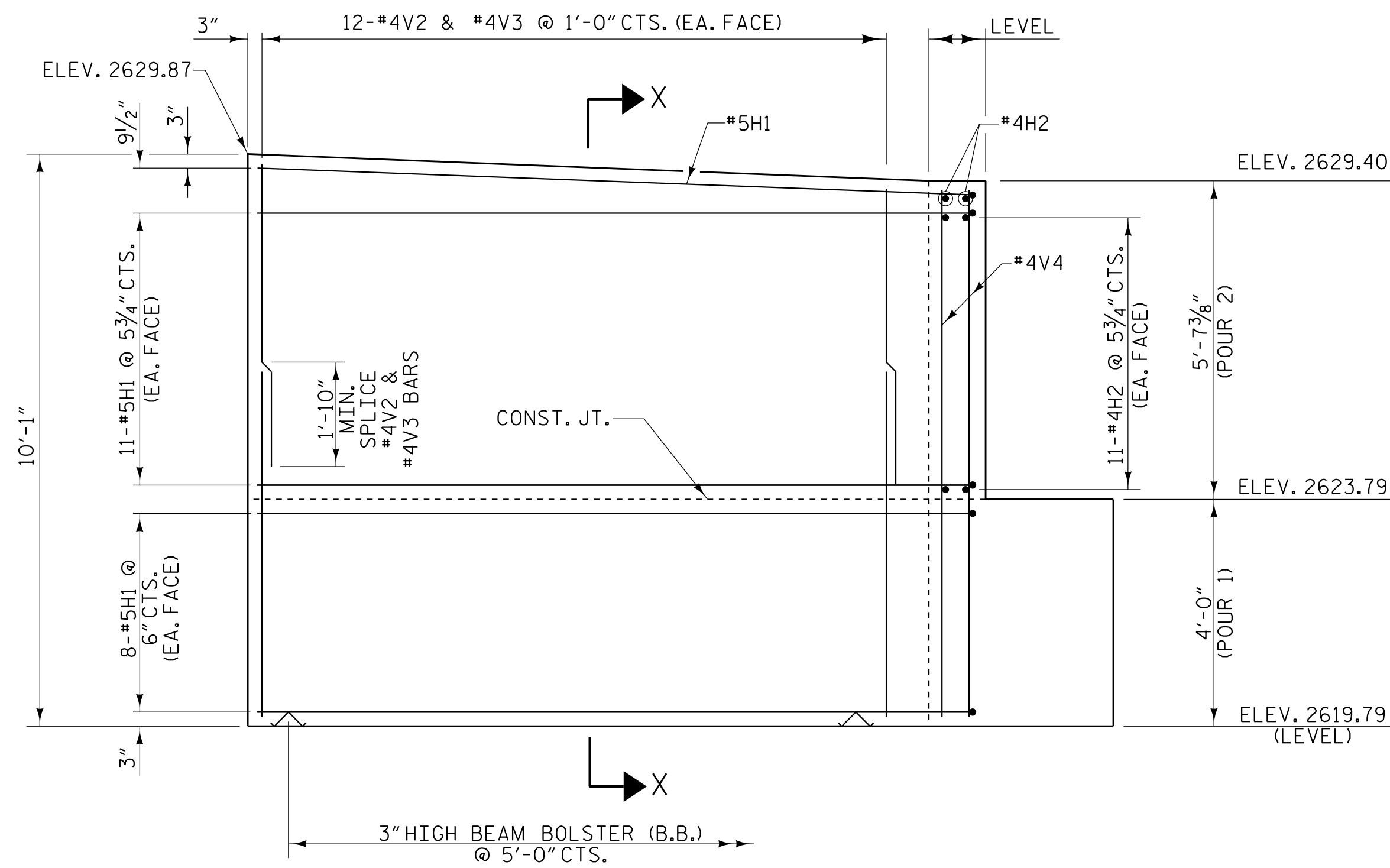
PLAN OF LEFT WING - W1
(STAGE I CONSTRUCTION)



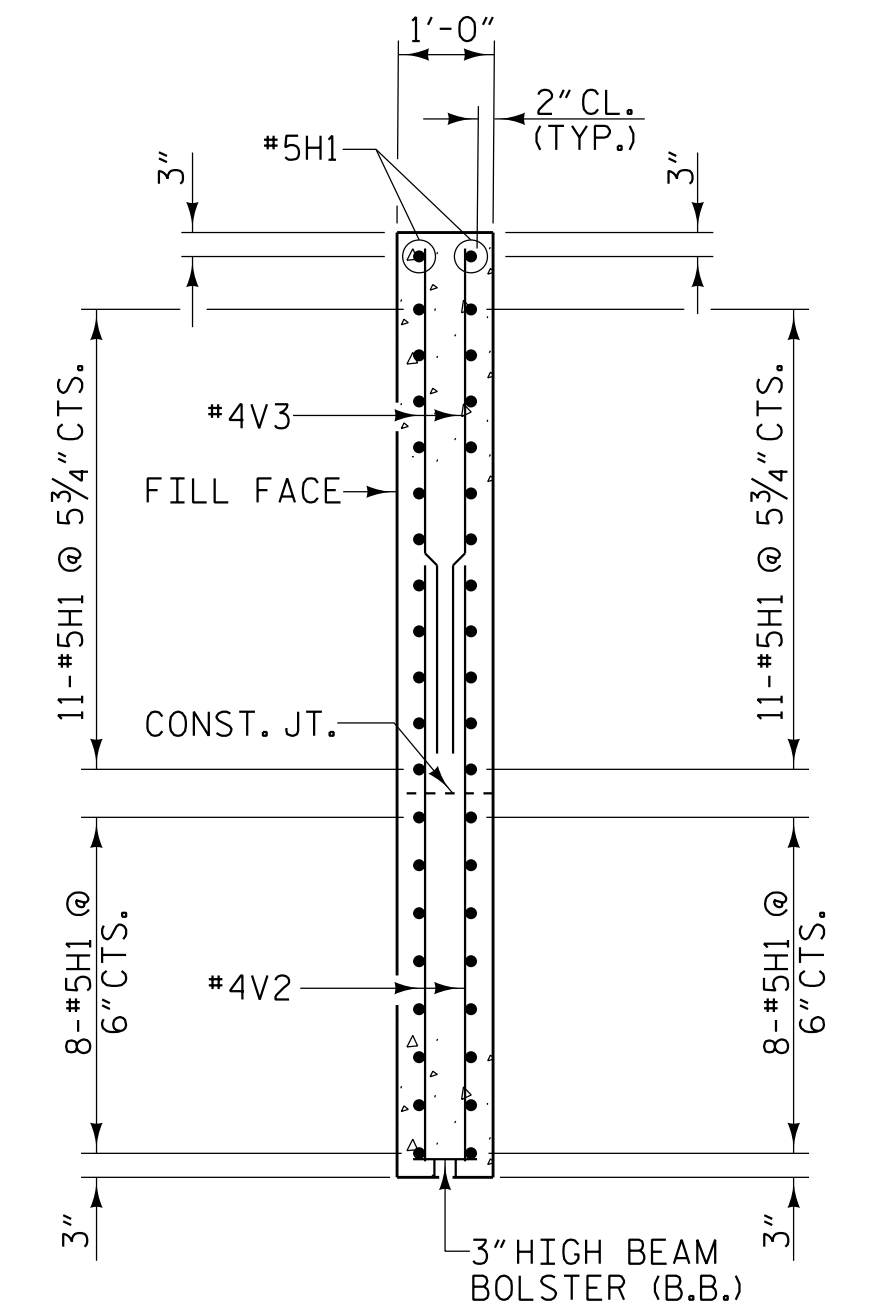
PLAN OF RIGHT WING - W2
(STAGE II CONSTRUCTION)



ELEVATION OF LEFT WING - W1
(STAGE I CONSTRUCTION)



ELEVATION OF RIGHT WING - W2
(STAGE II CONSTRUCTION)

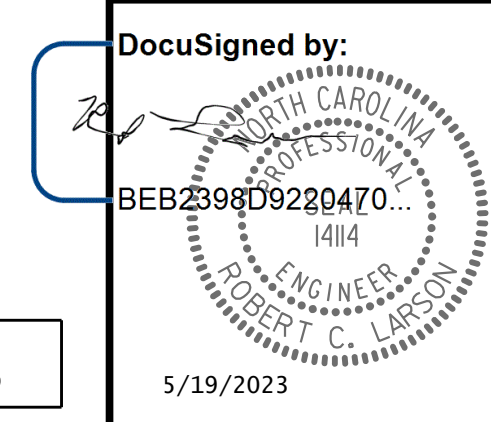


SECTION X-X

PROJECT NO. U-5839
HAYWOOD COUNTY
 STATION: 31+45.00 -L- POT

SHEET 3 OF 4

STATE OF NORTH CAROLINA DEPARTMENT OF TRANSPORTATION RALEIGH					
SUBSTRUCTURE INTEGRAL END BENT 1 WING DETAILS					
REVISIONS					
NO.	BY:	DATE:	NO.	BY:	DATE:
1			3		
2			4		
SHEET NO. S2-31					TOTAL SHEETS 49



**DOCUMENT NOT CONSIDERED FINAL
UNLESS ALL SIGNATURES COMPLETED**

5/17/2023 7:03:28 PM RA\Structures\Bridge over Richard Creek\10839 SMULE3.43086.dgn

DRAWN BY: W. B. ALLEN DATE: 10/19
 CHECKED BY: Z. H. BROWN DATE: 11/19
 DESIGN ENGINEER OF RECORD: R. C. LARSON DATE: 2/23

DocuSigned by:
 BEB2398D9220470

5/19/2023