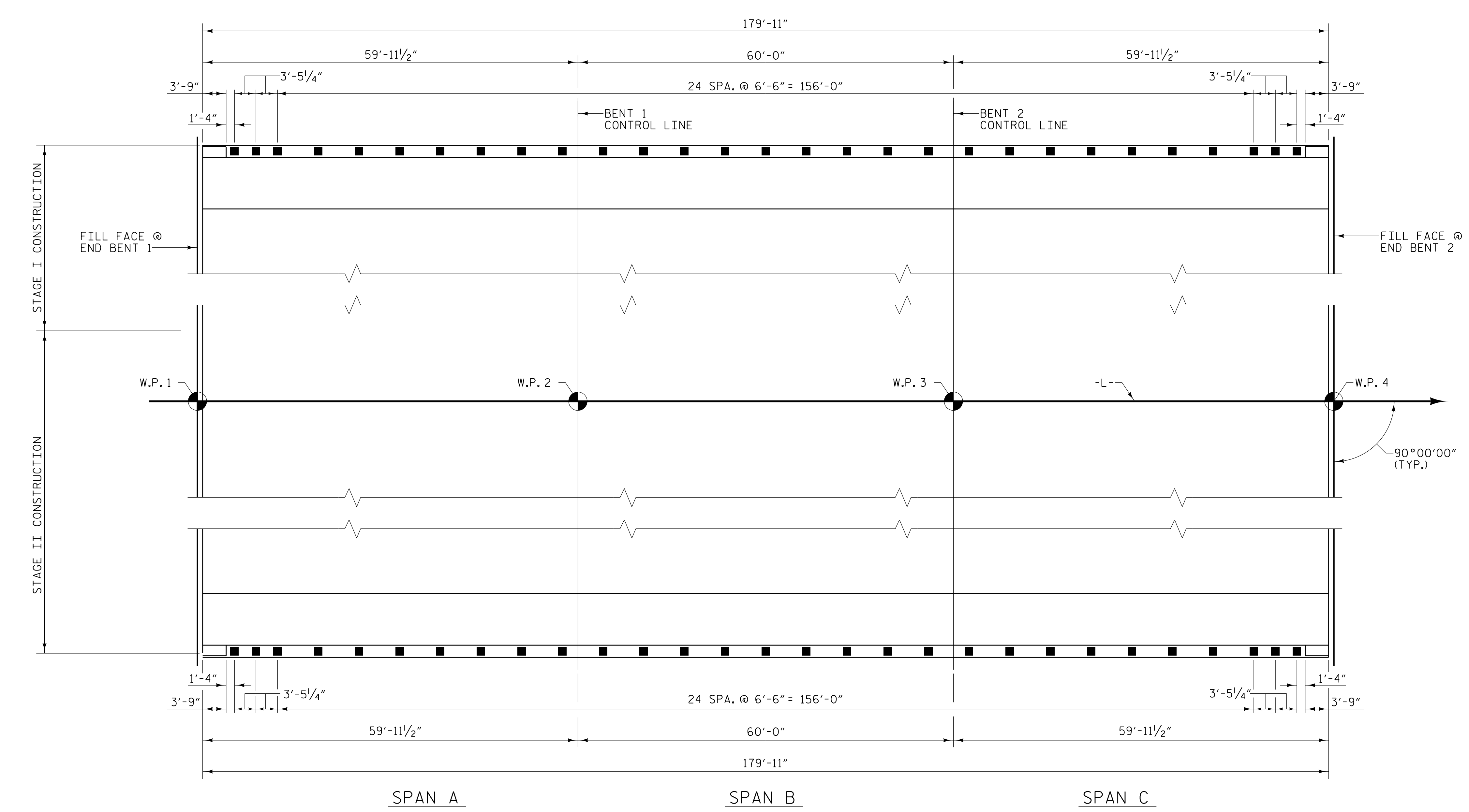
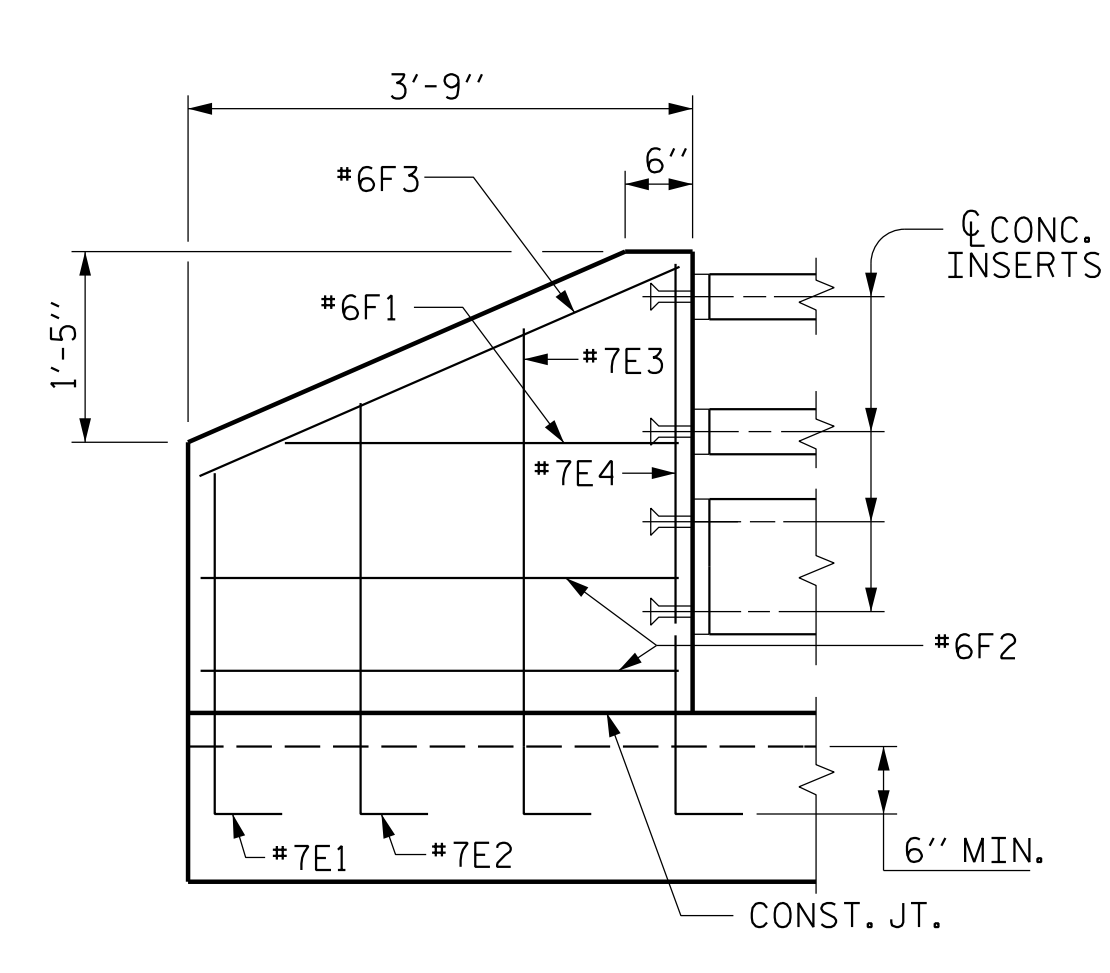


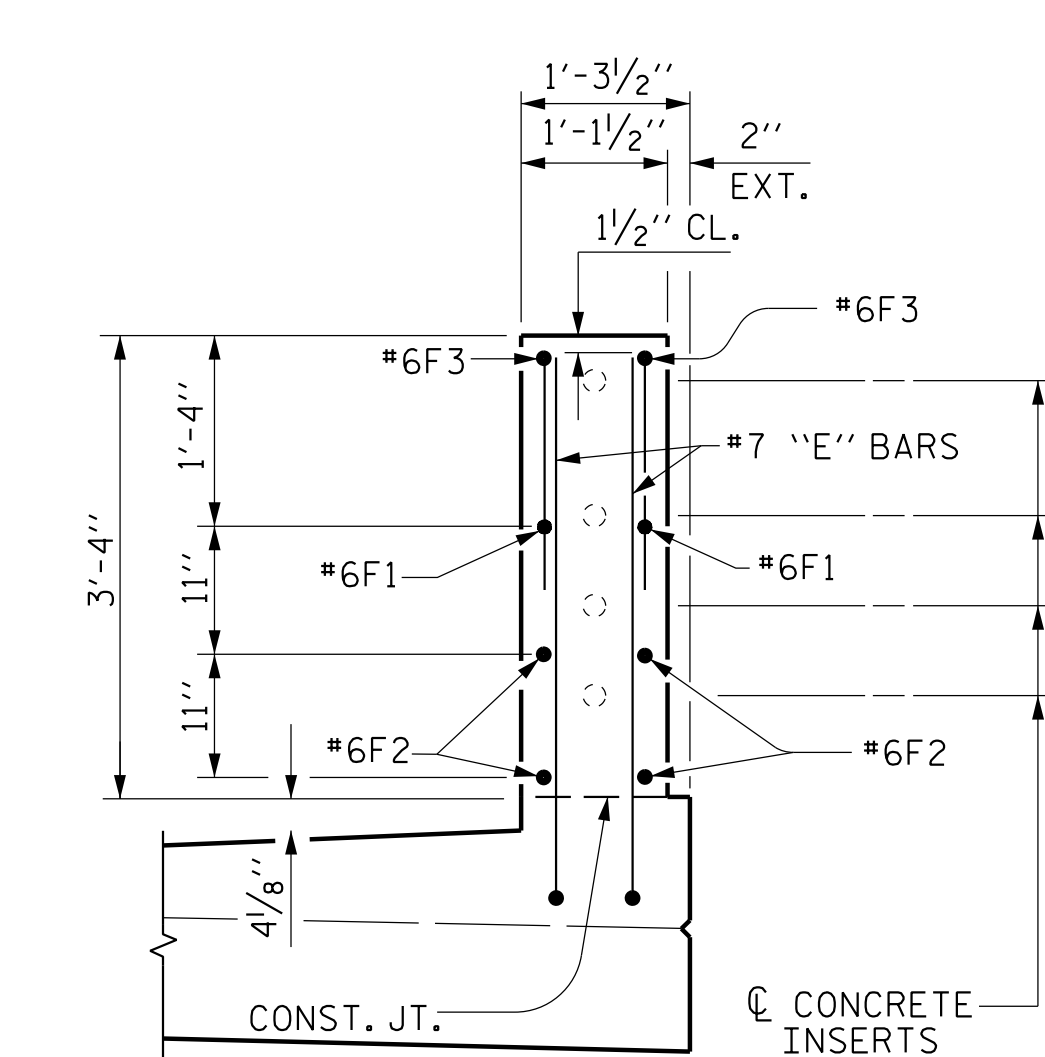
NOTE
 THE REINFORCING STEEL AND CONCRETE FOR THE END POSTS IS INCLUDED IN THE UNIT PRICE BID FOR REINFORCED CONCRETE DECK SLAB. SEE "SUPERSTRUCTURE BILL OF MATERIAL" SHEET FOR BAR DETAILS AND CONCRETE QUANTITIES.



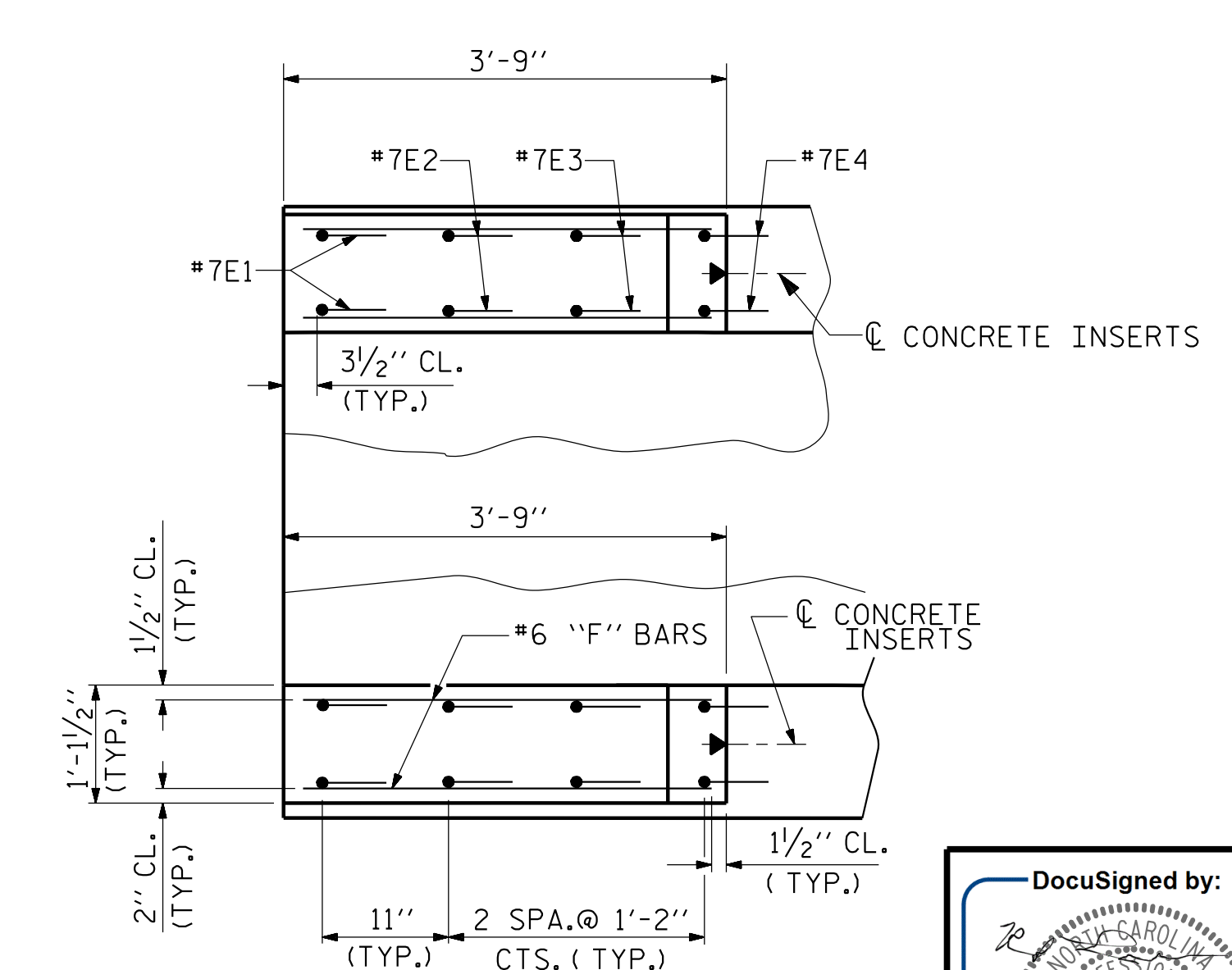
PLAN OF RAIL POST SPACINGS



ELEVATION



**END VIEW
 END POST DETAILS**



PLAN

**DOCUMENT NOT CONSIDERED FINAL
 UNLESS ALL SIGNATURES COMPLETED**

PLANS PREPARED BY:
NV5
 NV5 ENGINEERS & CONSULTANTS, INC.
 3300 REGENCY PARKWAY, SUITE 100
 CARY, NC 27518
 P. 919.851.1912 www.NV5.com
 NC License # F-1333

PROJECT NO. U-5839
HAYWOOD COUNTY
 STATION: 31+45.00 -L- POT

STATE OF NORTH CAROLINA
 DEPARTMENT OF TRANSPORTATION
 RALEIGH
 SUPERSTRUCTURE
**RAIL POST SPACINGS
 AND
 END POST DETAILS**

REVISIONS						SHEET NO.
NO.	BY:	DATE:	NO.	BY:	DATE:	TOTAL SHEETS
1			3			49
2			4			

DocuSigned by:

 BEB2398D922047C
 14114
 ENGINEER
 ROBERT C. LARSON
 5/19/2023

DRAWN BY: W. B. ALLEN DATE: 5/19
 CHECKED BY: Z. H. BROWN DATE: 7/19
 DESIGN ENGINEER OF RECORD: R. C. LARSON DATE: 2/23

DocuSigned by:

 BEB2398D922047C

5/17/2023 7:03:25 PM R:\Structures\Bridges over Richard Creek\Y6 U5839_SML3M4_43086.dgn