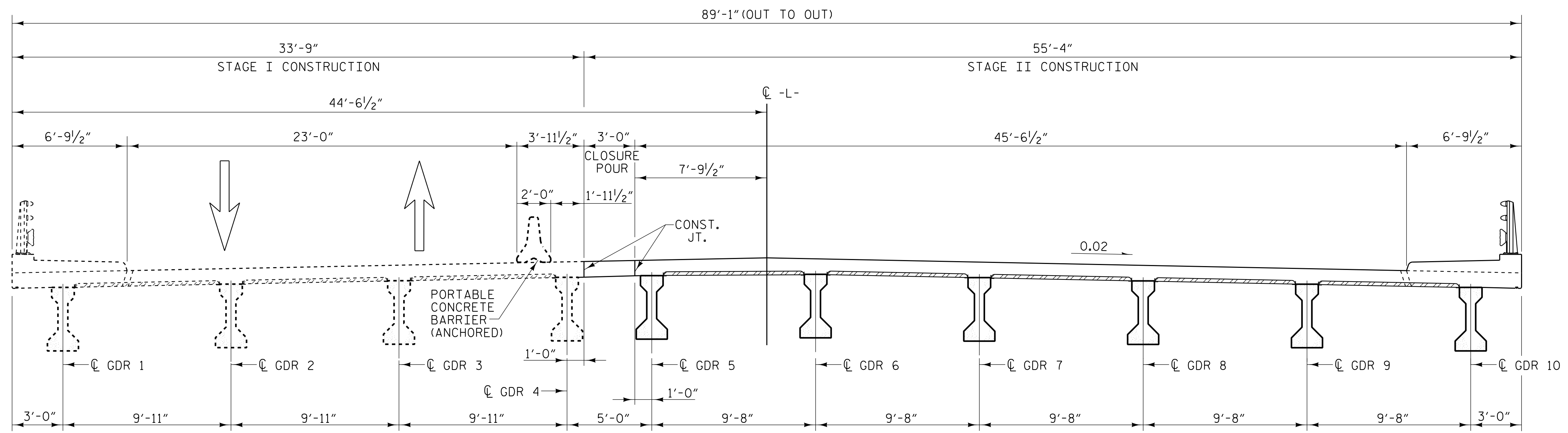


STAGE I CONSTRUCTION



STAGE II CONSTRUCTION

PROJECT NO. U-5839
HAYWOOD COUNTY
 STATION: 31+45.00 -L- POT

NOTES:

- FOR TRAFFIC PHASING, SEE TRAFFIC CONTROL PLANS.
- THE PORTABLE CONCRETE BARRIER IS A TRAFFIC CONTROL PAY ITEM.
- SEE TRAFFIC CONTROL PLANS FOR LOCATION AND PAY LIMITS OF THE PORTABLE CONCRETE BARRIER.

PLANS PREPARED BY:

NV5

NV5 ENGINEERS & CONSULTANTS, INC.
 3300 REGENCY PARKWAY, SUITE 100
 CARY, NC 27518
 P: 919.851.1912 www.NV5.com
 NC License # F-1333

DocuSigned by:

[Signature]

BBB2398D9220470

STATE OF NORTH CAROLINA
 PROFESSIONAL SEAL
 14114
 ENGINEER
 ROBERT C. LARSON
 5/19/2023

STATE OF NORTH CAROLINA
 DEPARTMENT OF TRANSPORTATION
 RALEIGH

CONSTRUCTION STAGING SEQUENCE

REVISIONS						SHEET NO.
NO.	BY:	DATE:	NO.	BY:	DATE:	TOTAL SHEETS
1			3			49
2			4			

5/17/2023 7:03:14 PM R:\Structures\Bridge over Richard Creek\05 U5839_SMU_PC_43086.dgn

DRAWN BY: W. B. ALLEN DATE: 5/19
 CHECKED BY: Z. H. BROWN DATE: 7/19
 DESIGN ENGINEER OF RECORD: R. C. LARSON DATE: 2/23

DocuSigned by:

[Signature]

BBB2398D9220470

**DOCUMENT NOT CONSIDERED FINAL
 UNLESS ALL SIGNATURES COMPLETED**