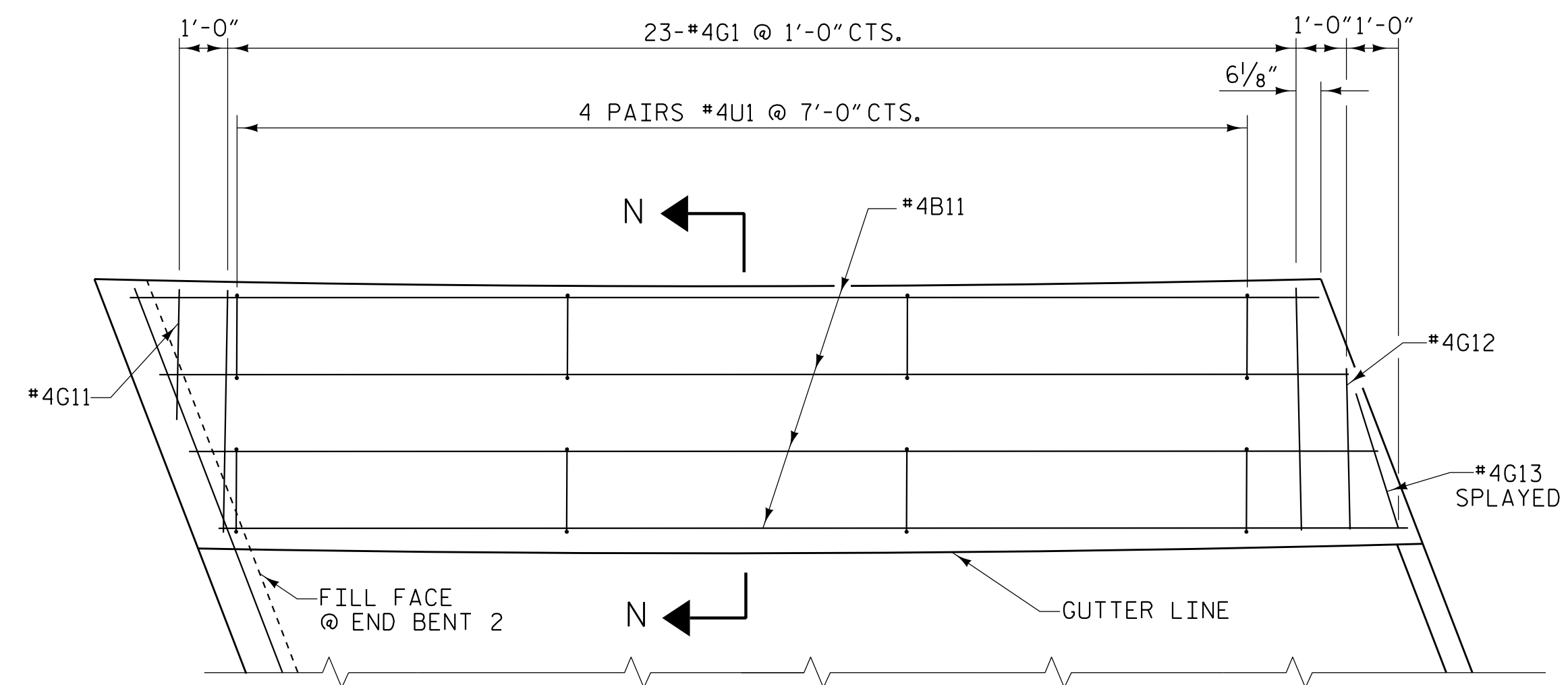
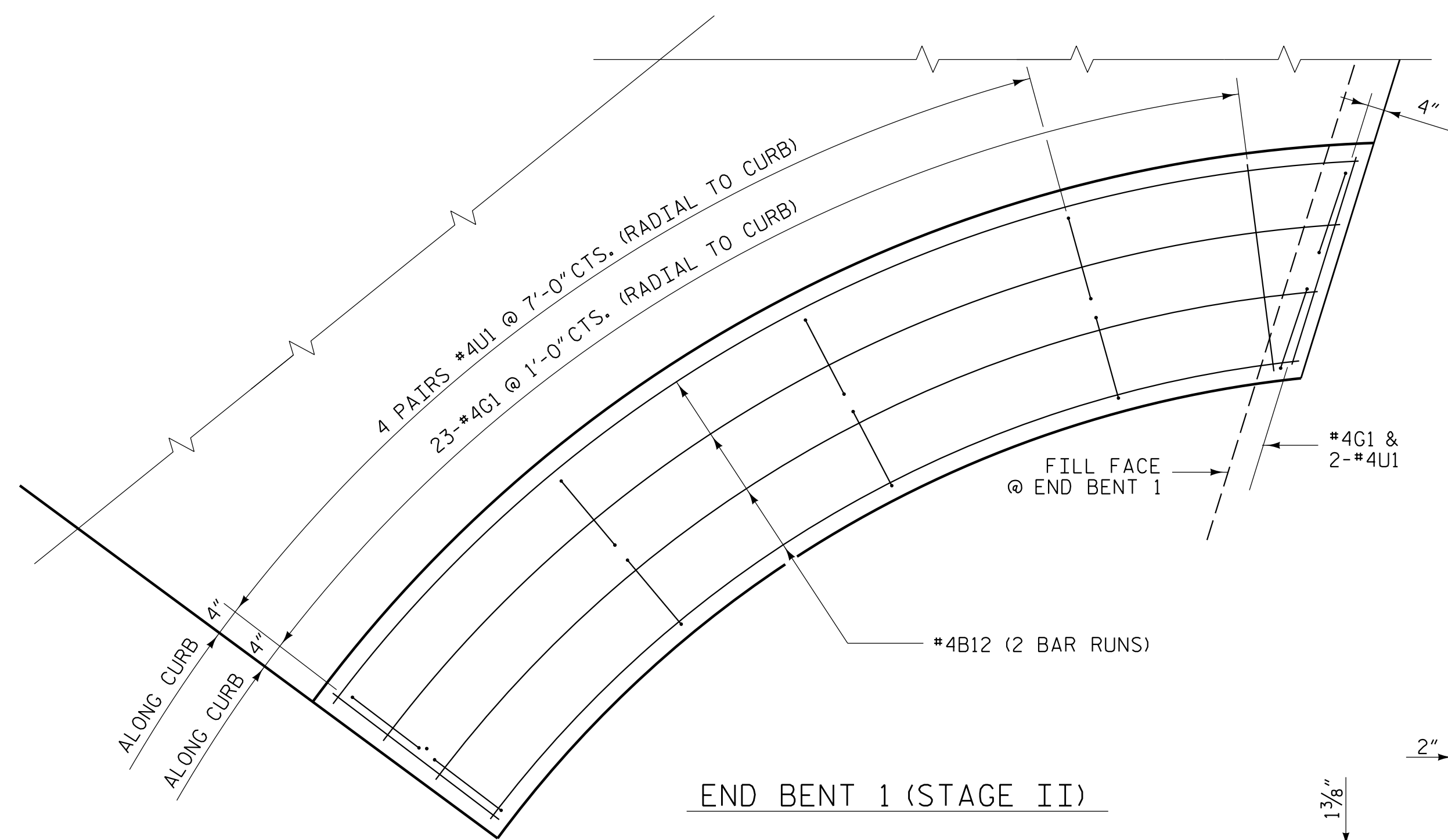


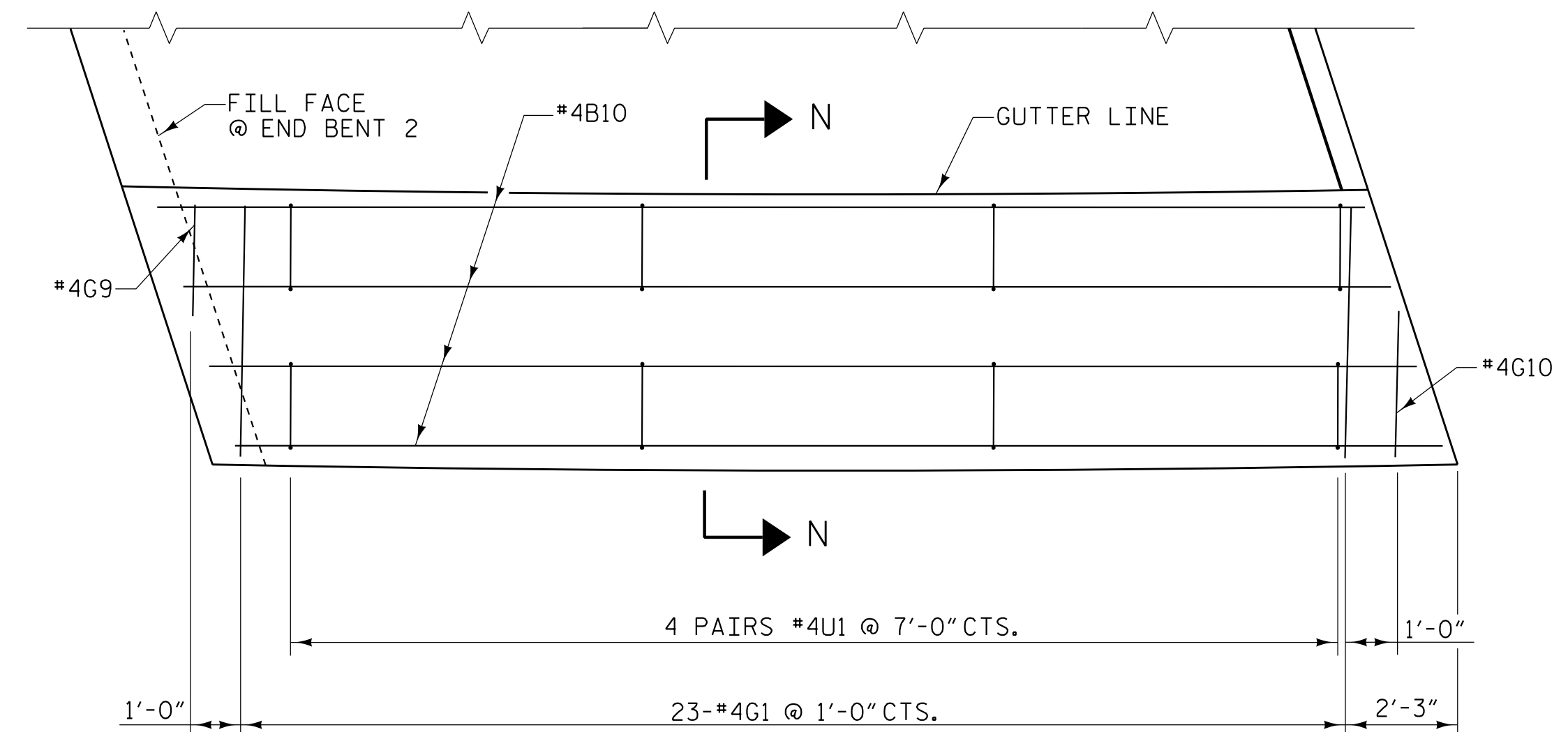
END BENT 1 (STAGE II)



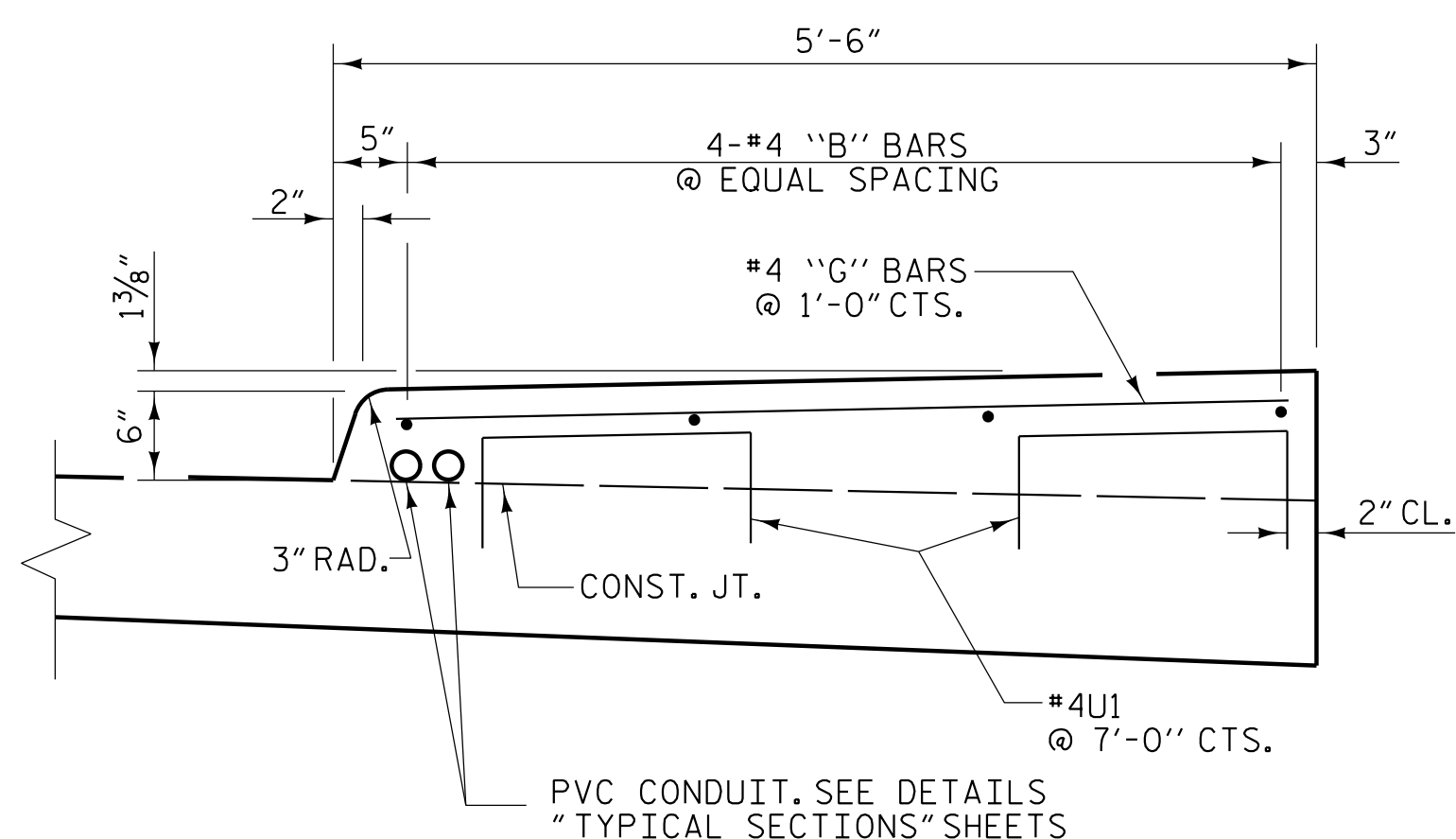
END BENT 2 (STAGE II)



END BENT 1 (STAGE II)



END BENT 2 (STAGE I)



SECTION N-N

DETAILS OF SIDEWALK ON APPROACH SLAB

PROJECT NO. U-5839
HAYWOOD COUNTY
 STATION: 24+64.13 -L- POC

SHEET 4 OF 5

STATE OF NORTH CAROLINA
 DEPARTMENT OF TRANSPORTATION
 RALEIGH

BRIDGE APPROACH
 SLAB DETAILS

REVISIONS						SHEET NO.
NO.	BY:	DATE:	NO.	BY:	DATE:	TOTAL SHEETS
1			3			63
2			4			

PLANS PREPARED BY:

NV5 ENGINEERS & CONSULTANTS, INC.
 3300 REGENCY PARKWAY, SUITE 100
 CARY, NC 27518
 P: 919.851.1912 www.nv5.com
 NC License # F-1333

DocuSigned by:

SEAL 14114
 PROFESSIONAL ENGINEER
 ROBERT C. LARSON
 5/18/2023

**DOCUMENT NOT CONSIDERED FINAL
 UNLESS ALL SIGNATURES COMPLETED**

DRAWN BY: W. B. ALLEN DATE: 1/20
 CHECKED BY: Z. H. BROWN DATE: 5/20
 DESIGN ENGINEER OF RECORD: R. C. LARSON DATE: 4/23

DocuSigned by:

 BEB2398D9220470

5/17/2023 7:40:20 PM R:\Structures\3 span Bridge cover RRV62_U5839_SMU_A54_43084.dgn