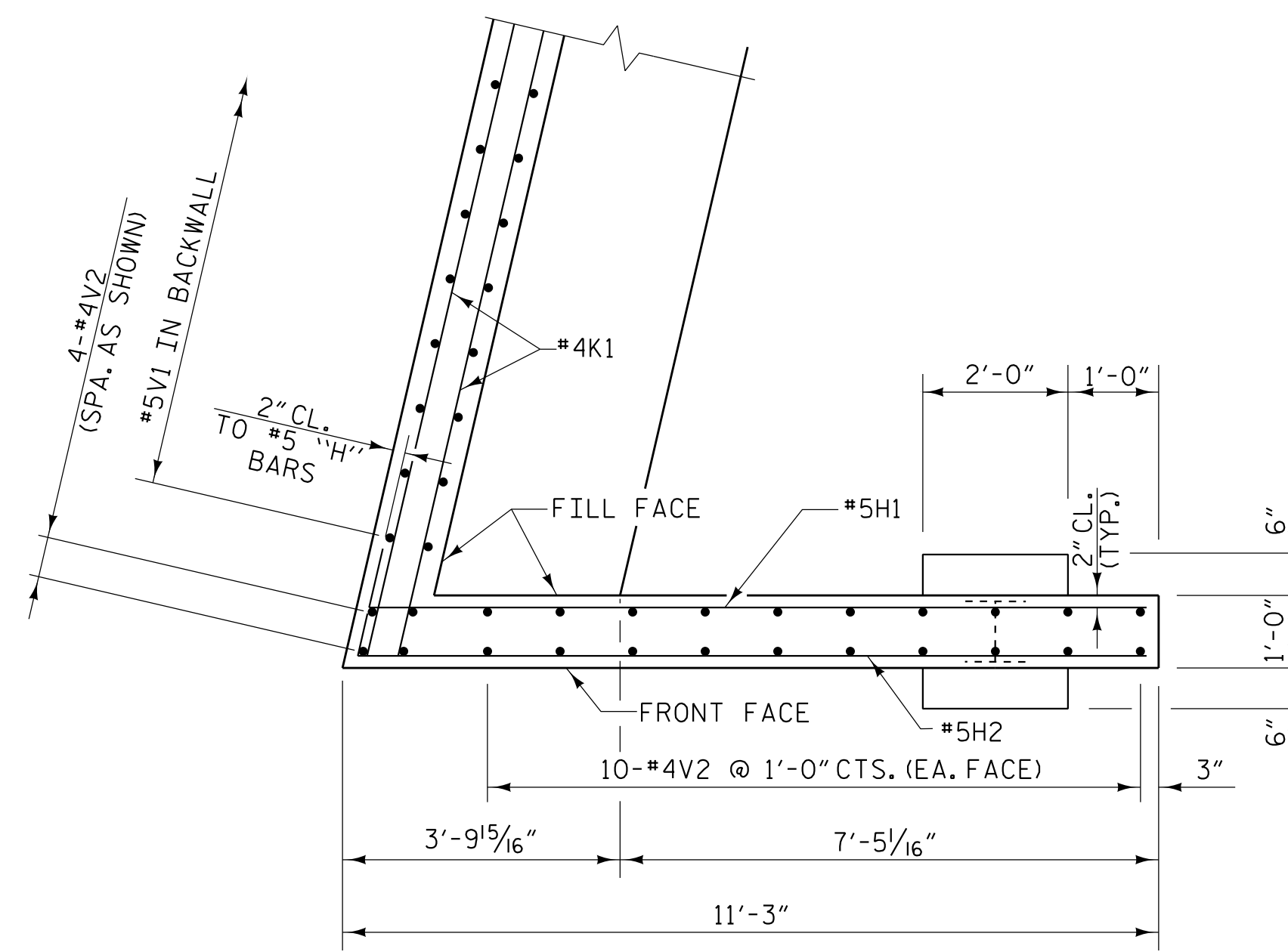
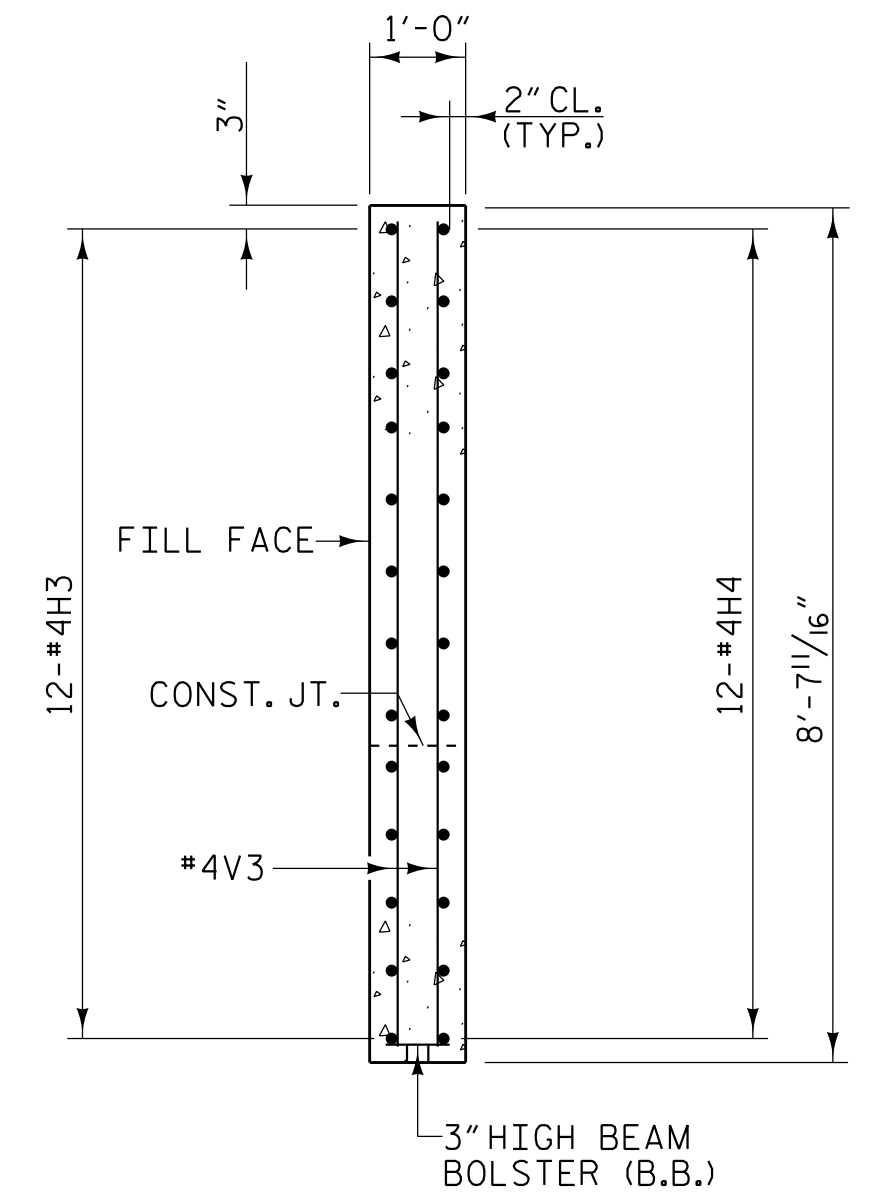


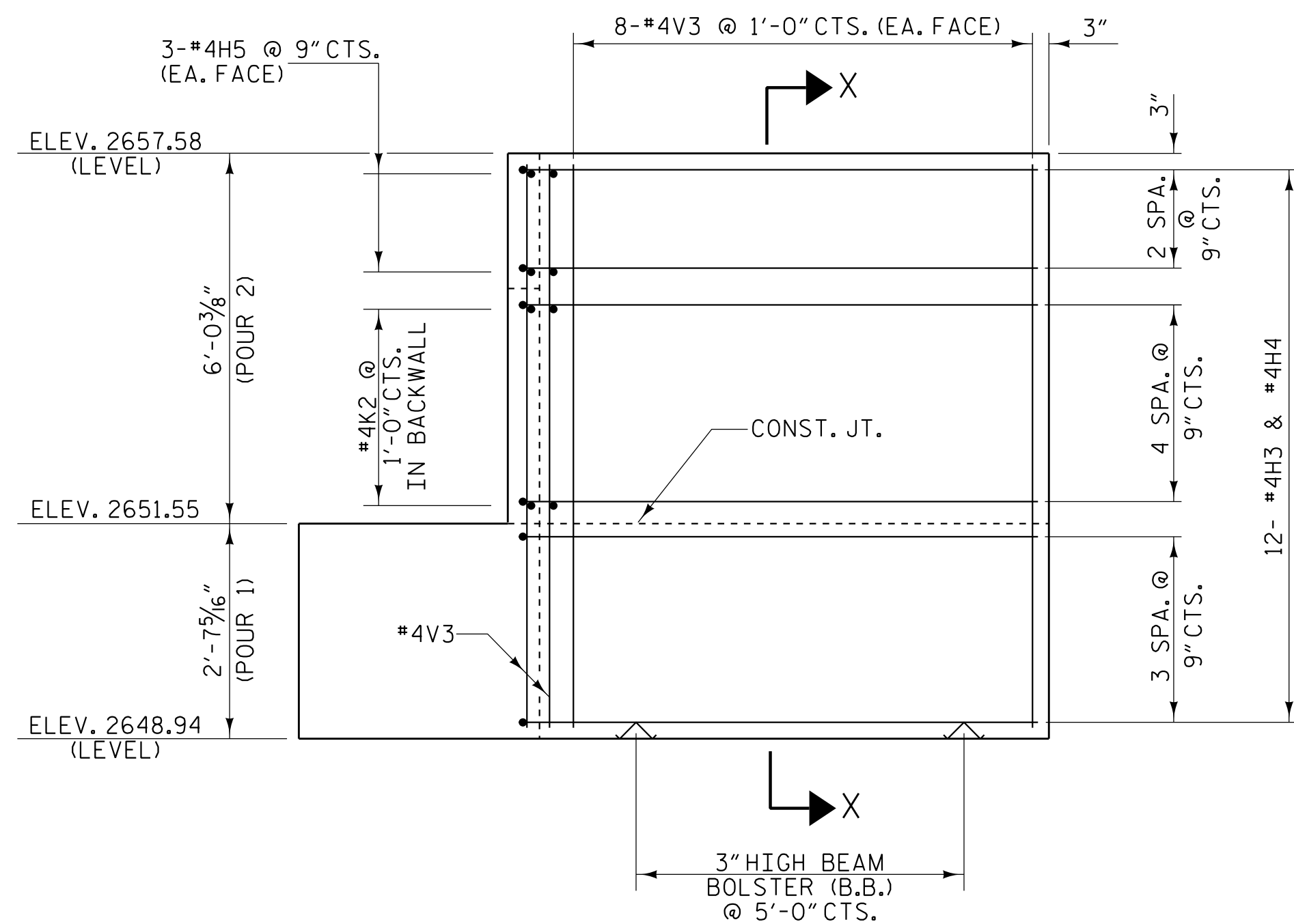
PLAN OF LEFT WING - W1
(STAGE II CONSTRUCTION)



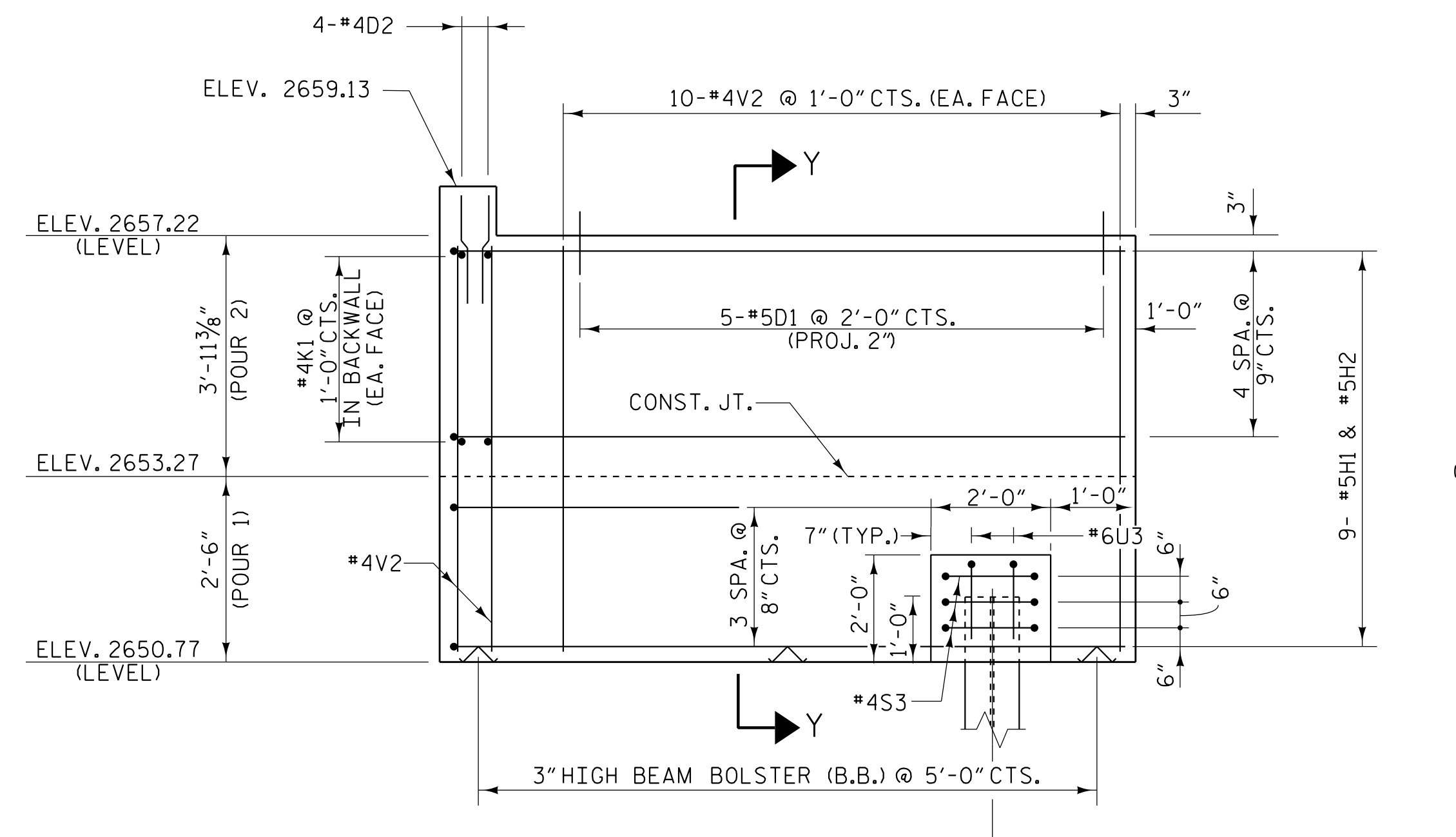
PLAN OF RIGHT WING - W2
(STAGE I CONSTRUCTION)



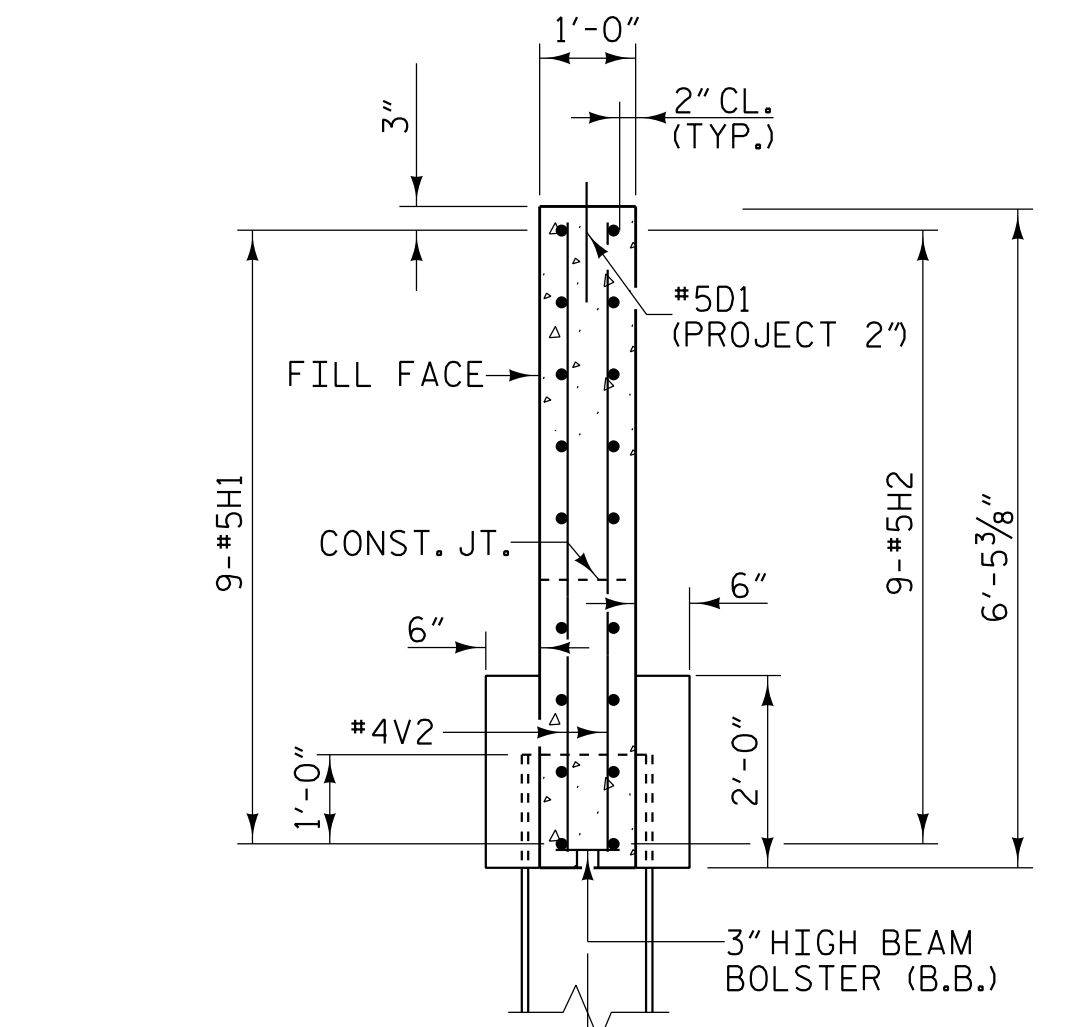
SECTION X-X



ELEVATION OF LEFT WING - W1
(STAGE II CONSTRUCTION)



ELEVATION OF RIGHT WING - W2
(STAGE I CONSTRUCTION)



SECTION Y-Y

PROJECT NO. U-5839
HAYWOOD COUNTY
STATION: 24+64.13 -L- POC

SHEET 3 OF 4

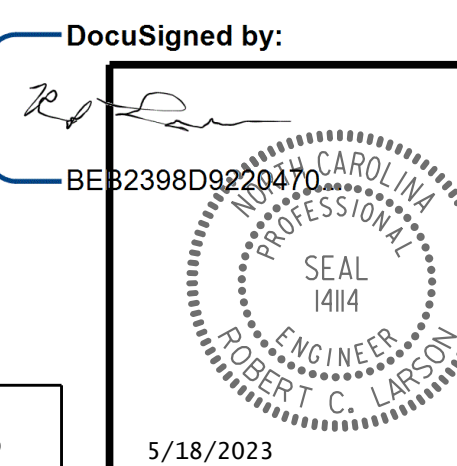
STATE OF NORTH CAROLINA
DEPARTMENT OF TRANSPORTATION
RALEIGH

SUBSTRUCTURE
END BENT 1
WING DETAILS

REVISIONS

NO.	BY:	DATE:	NO.	BY:	DATE:
1			3		
2			4		

SHEET NO.
S1-43
TOTAL SHEETS
63



DOCUMENT NOT CONSIDERED FINAL
UNLESS ALL SIGNATURES COMPLETED

5/18/2023

5/17/2023 7:40:00 PM R:\Structures\3 span Bridge over RR\43 US839_SMU.E3_43084.dgn

DRAWN BY: W. B. ALLEN DATE: 6/20
CHECKED BY: Z. H. BROWN DATE: 6/20
DESIGN ENGINEER OF RECORD: R. C. LARSON DATE: 4/23

