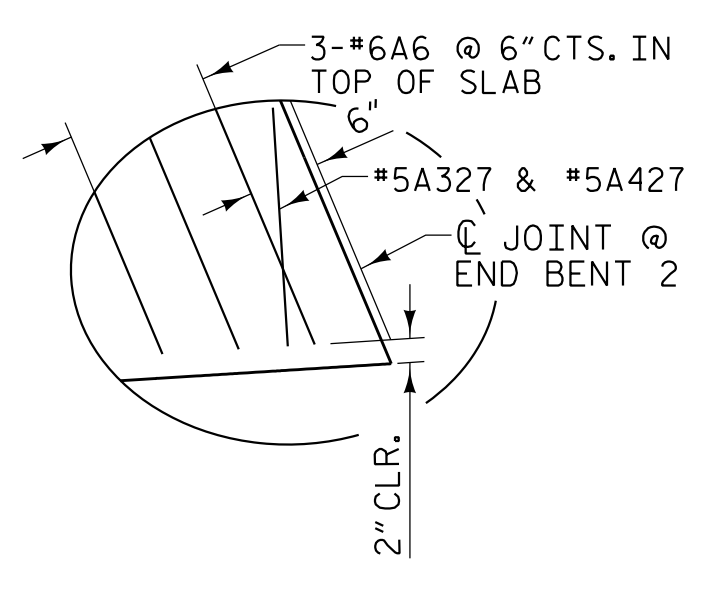
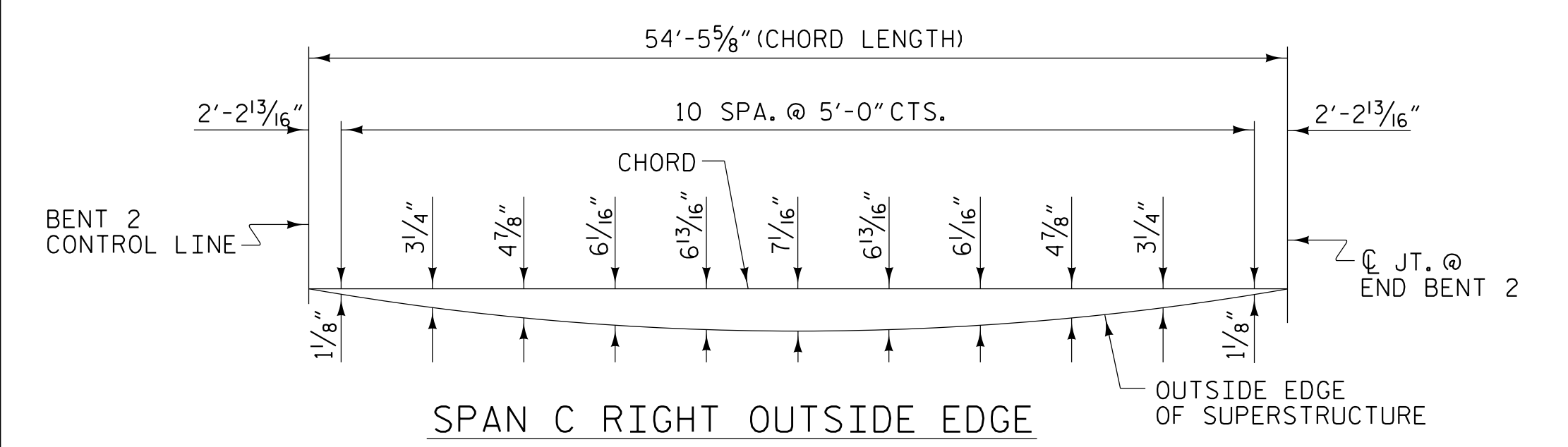
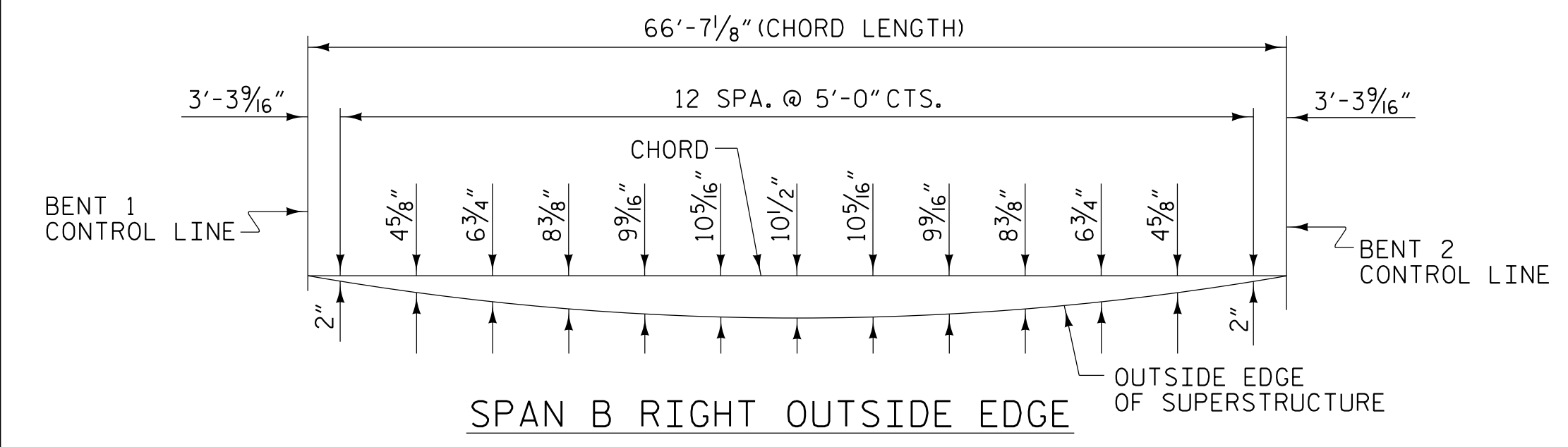
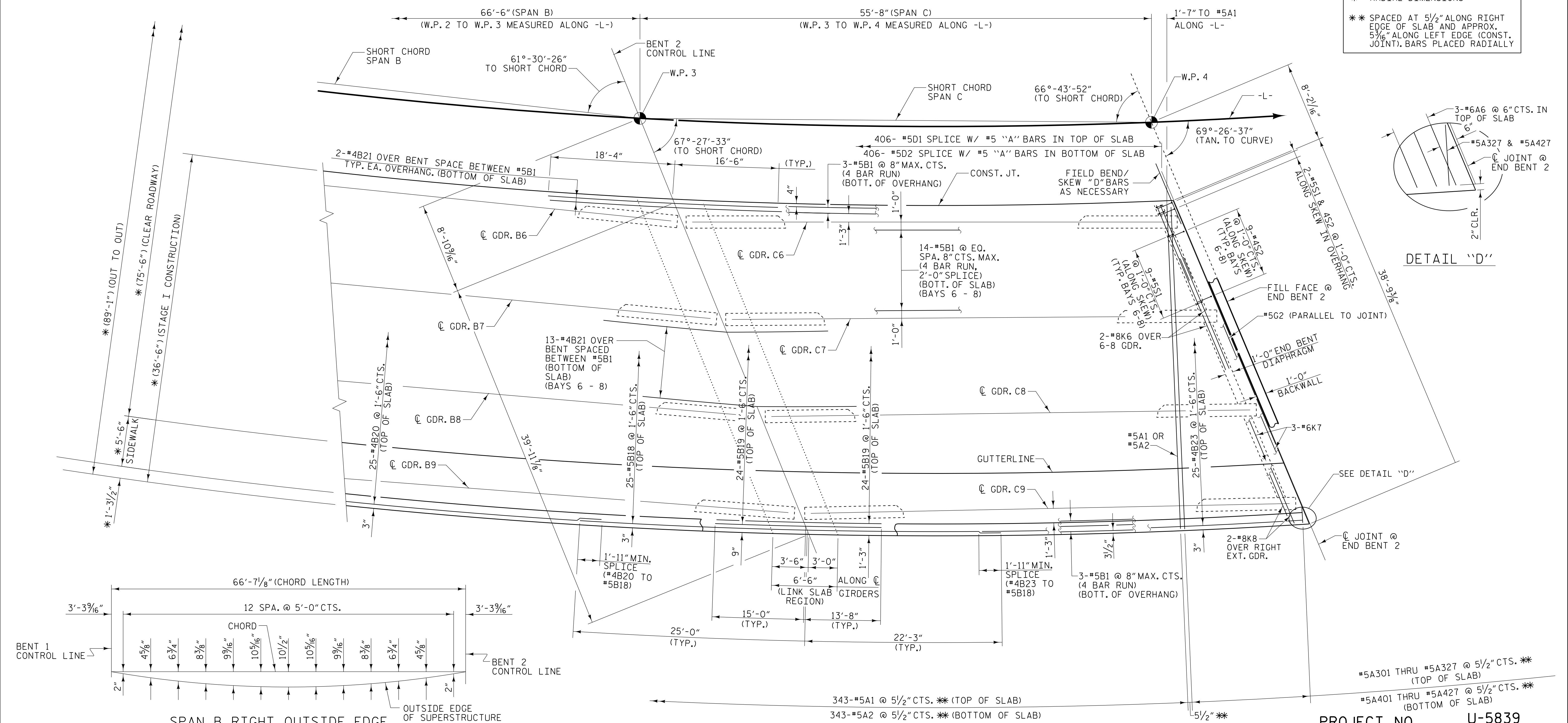


\* RADIAL DIMENSIONS  
 \*\* SPACED AT 5/2" ALONG RIGHT EDGE OF SLAB AND APPROX. 5 3/6" ALONG LEFT EDGE (CONST. JOINT). BARS PLACED RADIALLY



DETAIL "D"



ARC OFFSETS

SPANS B & C

NOTES

- FOR SIDEWALK DETAILS AND REINFORCING STEEL, SEE "SIDEWALK PLAN AND DETAILS" SHEETS.
- FOR TRANSVERSE CONSTRUCTION JOINT DETAIL, SEE "SUPERSTRUCTURE TYPICAL SECTION" SHEET 5 OF 5.
- FOR POUR SEQUENCE AND LOCATION OF TRANSVERSE CONSTRUCTION JOINTS, SEE "SUPERSTRUCTURE BILL OF MATERIAL" SHEET 3 OF 3.
- DOWELS SHALL BE PLACED IN THE SAME HORIZONTAL PLANE AS THE TOP AND BOTTOM SLAB REINFORCING STEEL.
- \*\*5G" BARS MAY BE SHIFTED SLIGHTLY, AS NECESSARY, TO CLEAR REINFORCING STEEL AND STIRRUPS.
- FOR ARC OFFSETS FOR LEFT EDGE, SEE SHEET 6 OF 6.

PLANS PREPARED BY:

NV5 ENGINEERS & CONSULTANTS, INC.  
 3300 REGENCY PARKWAY, SUITE 100  
 CARY, NC 27518  
 P: 919.851.1912 www.nv5.com  
 NC License # F-1333

DocuSigned by:

ROBERT C. LARSON  
 ENGINEER  
 5/18/2023

**DOCUMENT NOT CONSIDERED FINAL  
 UNLESS ALL SIGNATURES COMPLETED**

PROJECT NO. **U-5839**  
 HAYWOOD COUNTY  
 STATION: **24+64.13 -L- POC**

SHEET 3 OF 6

STATE OF NORTH CAROLINA DEPARTMENT OF TRANSPORTATION RALEIGH					
SUPERSTRUCTURE PLAN OF SPANS STAGE I					
REVISIONS					
NO.	BY:	DATE:	NO.	BY:	DATE:
1			3		
2			4		
SHEET NO.					S1-14
TOTAL SHEETS					63

5/17/2023 7:05:55 PM R:\Structures\3 span Bridge over RR\U5839.SMU\53\_430184.dgn

DRAWN BY: **W. B. ALLEN** DATE: **12/19**  
 CHECKED BY: **Z. H. BROWN** DATE: **1/20**  
 DESIGN ENGINEER OF RECORD: **R. C. LARSON** DATE: **4/23**

DocuSigned by:  

 BEB2398D9220470