

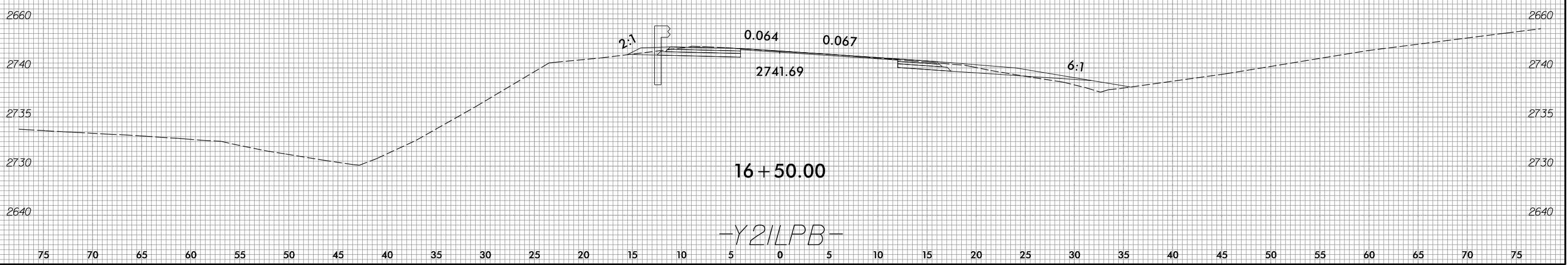
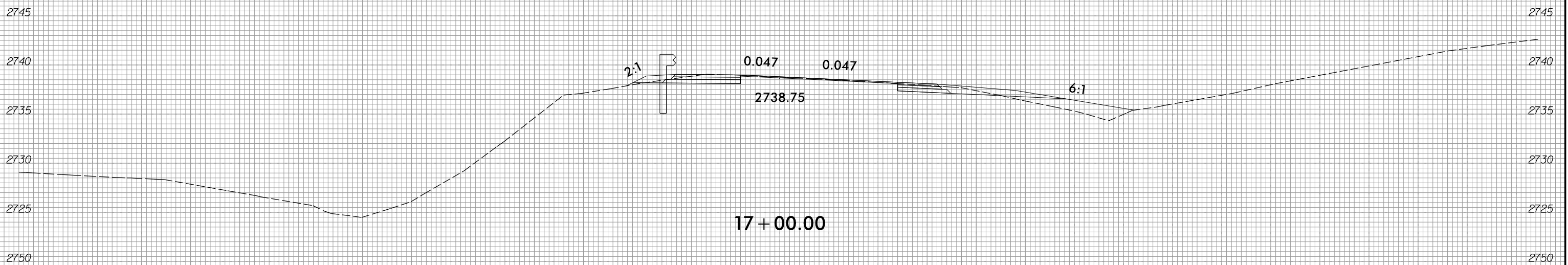
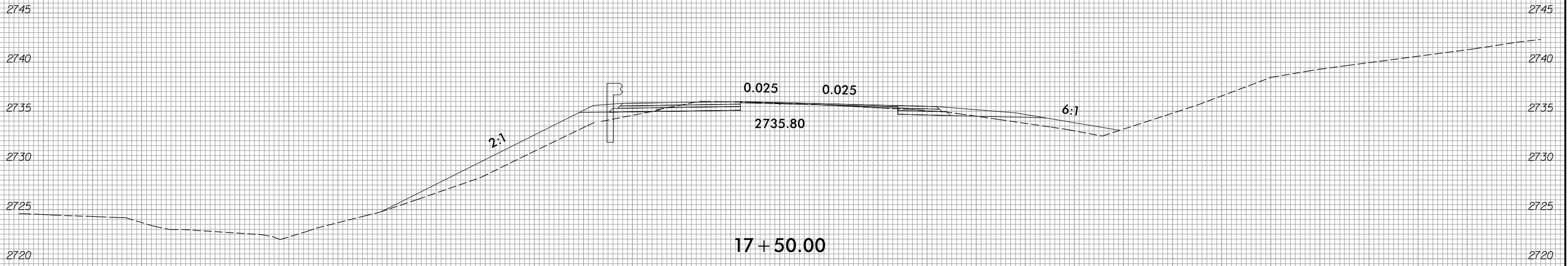
6/23/16



PROJ. REFERENCE NO.  
U-5839

SHEET NO.  
X-54

75 70 65 60 55 50 45 40 35 30 25 20 15 10 5 0 5 10 15 20 25 30 35 40 45 50 55 60 65 70 75



4/6/2023  
I:\Roadway\Corridor-Modeling\U5839\_rdy\_XPL\_Y2ILPB.dgn  
Region:California