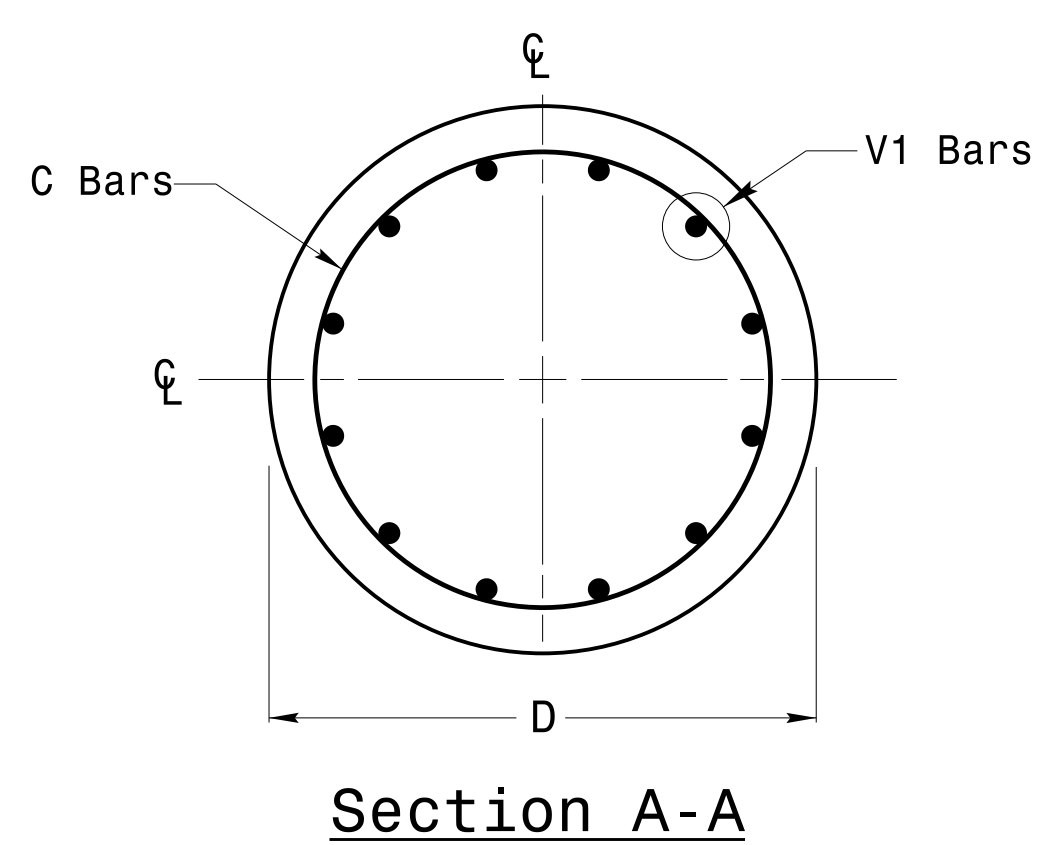
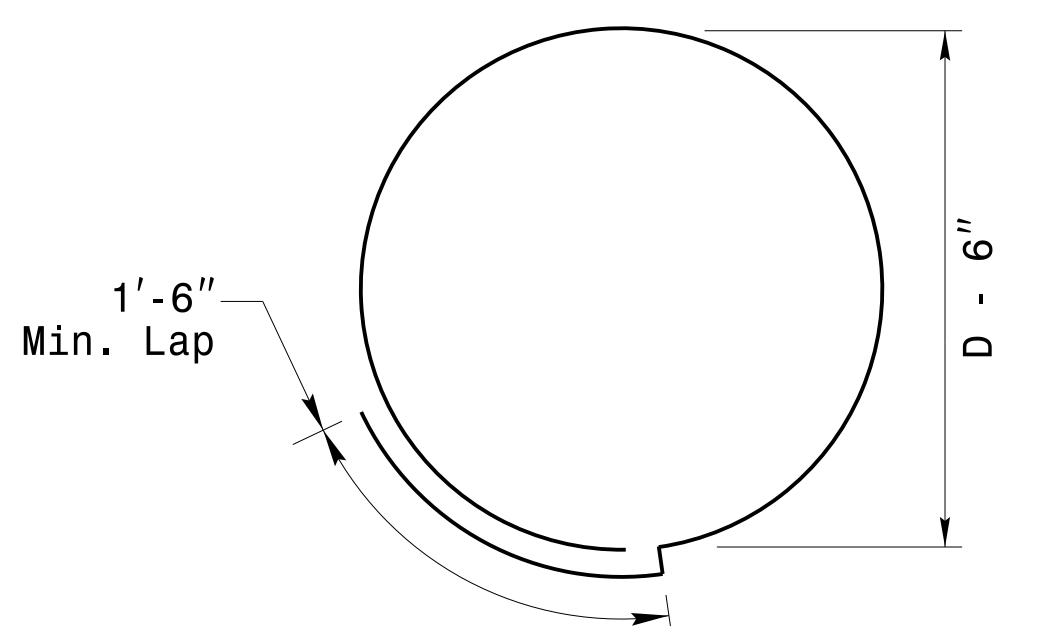


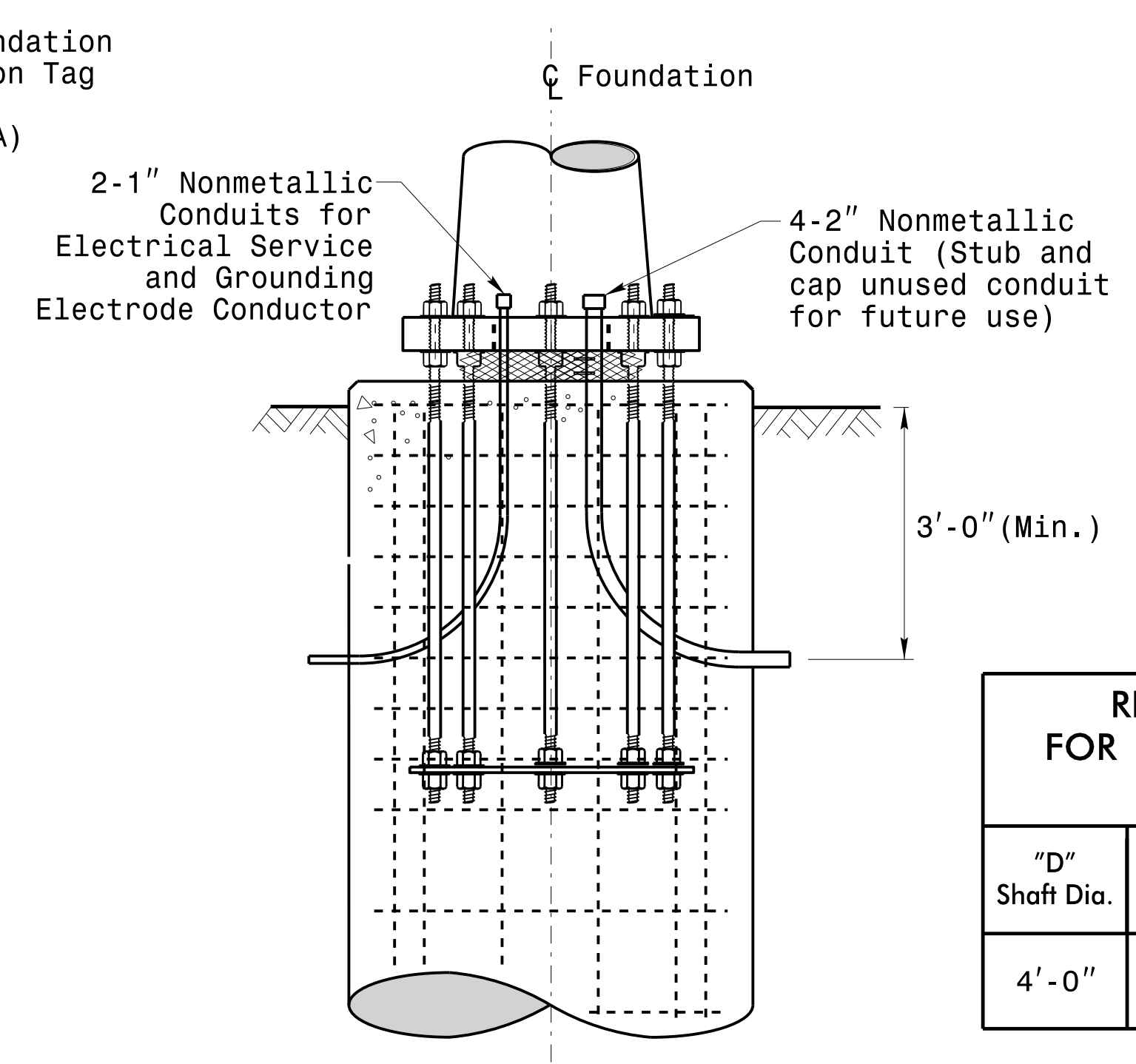
Concrete Shaft Elevation



Section A-A



Typical "C" Bar Detail



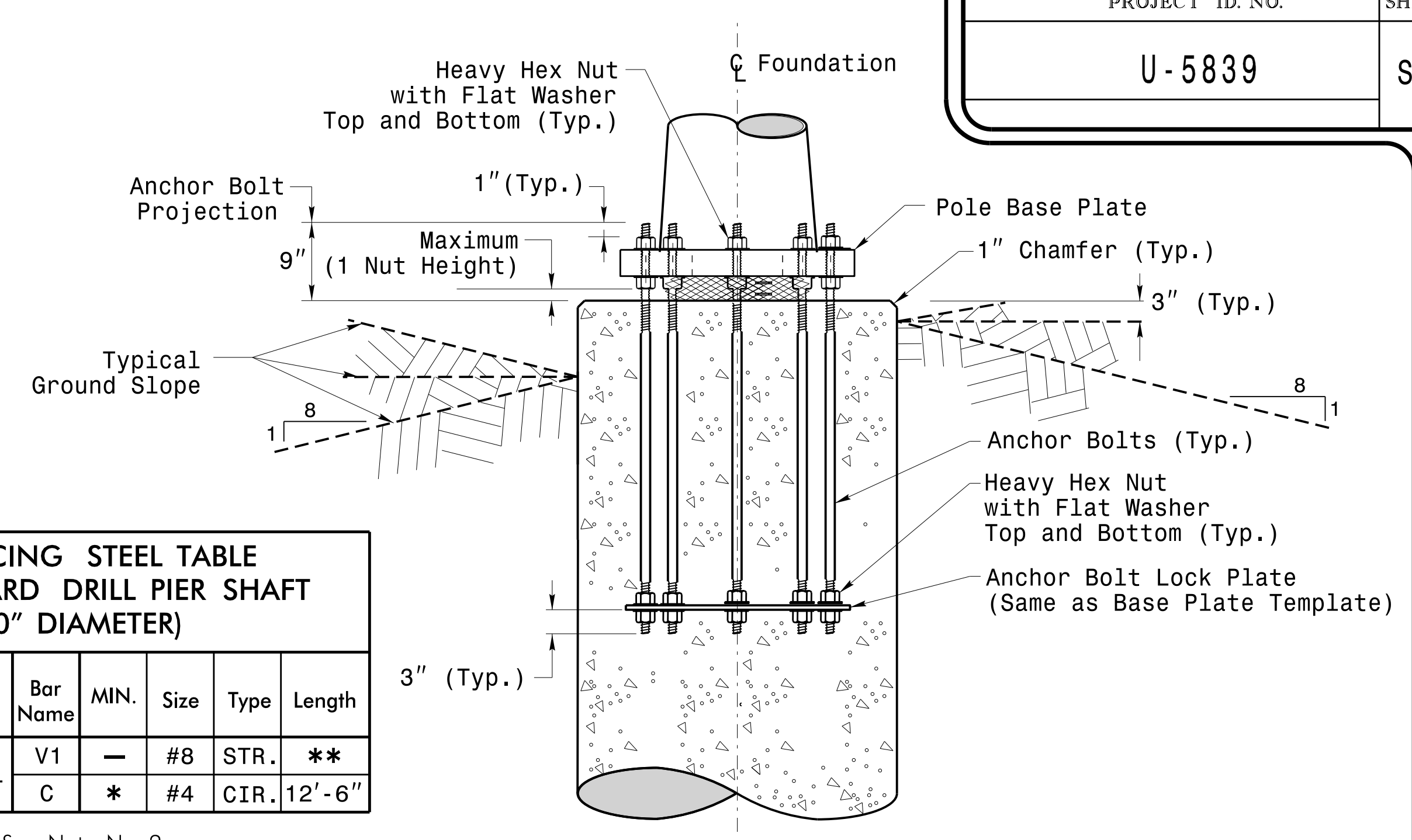
Typical Foundation Conduit Details

| "D" Shaft Dia. | Conc. Volume (cu. yds.) | Bar Name | MIN. | Size | Type | Length |
|----------------|-------------------------|----------|------|------|------|--------|
| 4'-0" | .465 x L | V1 | - | #8 | STR. | ** |
| | | C | * | #4 | CIR. | 12'-6" |

* See Note No. 2
 ** See Note No. 3

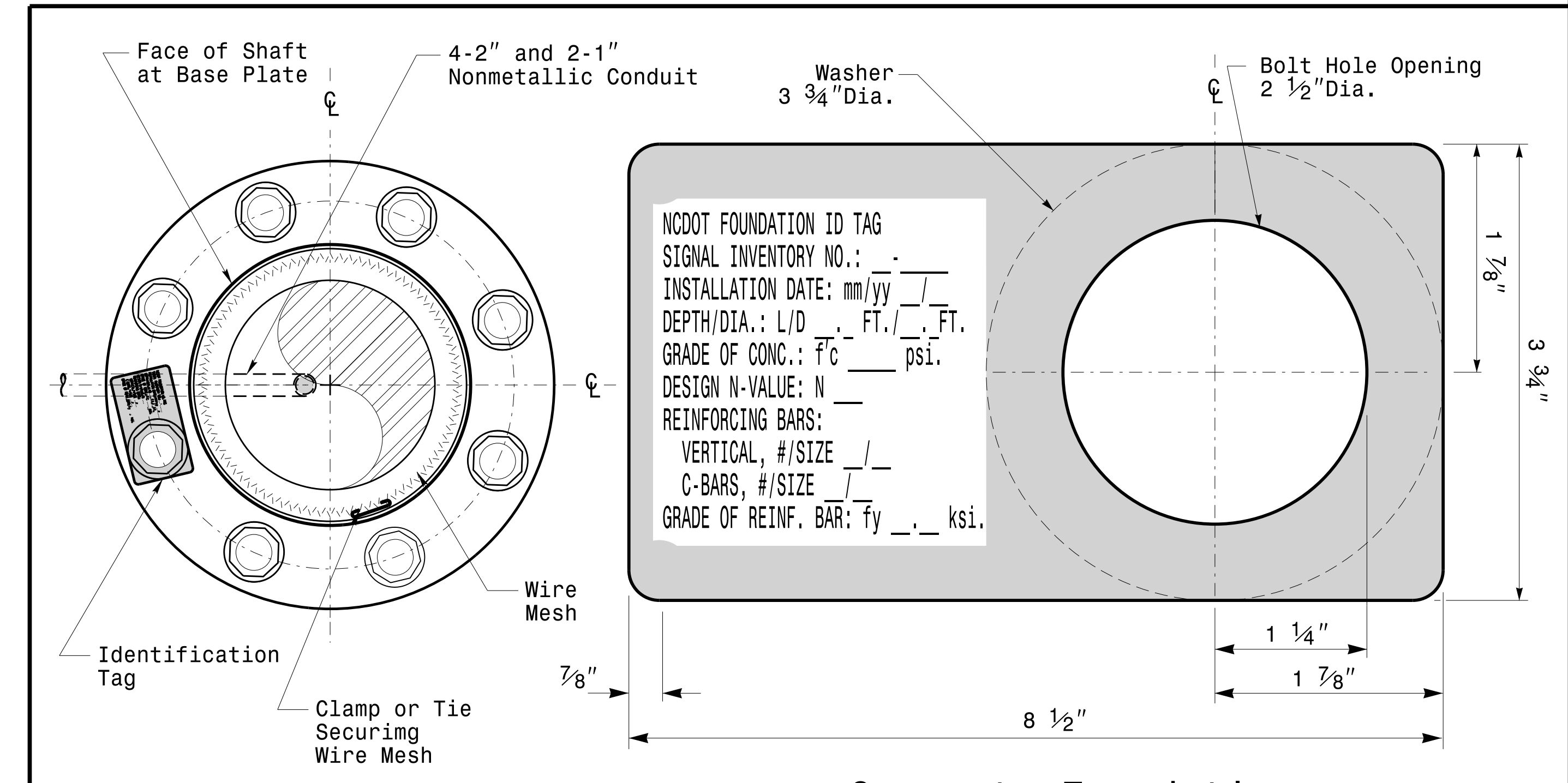
General Notes:

- If actual subsurface conditions differ significantly from boring data contact the Engineer before excavating or placing concrete.
- Circular tie reinforcing rings may be vertically adjusted by +/-3" at a depth between 2'-0" and 3'-0" to facilitate the installation of electrical conduit entering in the cage.
- For standard foundations, see sheet Sig. M8 for details. Vertical reinforcing bars (V1) may be horizontally adjusted by +/-3" to facilitate the installation of electrical conduit entering into the cage.
- Provide 2" to 5" foundation projection above ground level depending on the ground slope.
- Unless otherwise shown, foundation designs are based on non-sloping level ground surfaces with slope ratios of 8:1 (H:V) or flatter. If actual ground line slopes are steeper contact the Engineer before excavating or placing concrete.
- Construct foundations in accordance with NCDOT Standard Provisions SP09 R005- Foundations and Anchor Rod Assemblies for Metal Poles. All applicable 2018 NCDOT Standard Specifications are referenced in this provision. Refer to the NCDOT Resources/Specifications page located on the Connect NCDOT website.
[https://connect.ncdot.gov/resources/Specifications and Special Provisions.aspx](https://connect.ncdot.gov/resources/Specifications%20and%20Special%20Provisions.aspx)
- Use air entrained AA concrete mix with a compression strength of f'c=4500 psi.(min.) after 28 days.
- Use ASTM A615 grade 60 deformed bars for all reinforcing steel. Maintain at least 3" cover on all reinforcement.
- Locate the Identification Tag on the top of the base plate, directly above the conduit's entry point.
- Provide two layers of galvanized welded 23 gauge (0.25) 6" wide 4 mesh wire around pipes under the base plate and secure it with ties if necessary.
- Preferred location for the I.D. Tag is as shown in Detail-A; directly above the conduit entering the foundation.



Typical Foundation Anchor Bolt Details

(Reinforcing Cage Not Shown for Clarity)



Concrete Foundation Identification Tag Details

D = Diameter
 L = Length/Depth
 mm = Month
 yy = Year

Detail-A

| | | | |
|---|--|--|--|
| <p>750 N. Greenfield Pkwy, Garner, NC 27529</p> | <p>Construction Details For Foundations</p> | | |
| | <p>PLAN DATE: OCTOBER 2018</p> <p>DESIGNED BY: C.B. COGDILL</p> <p>PREPARED BY: N. BITTING</p> <p>REVIEWED BY: D.C. SARKAR</p> | <p>REV. NO.</p> <p>COMMENTS</p> <p>INIT.</p> <p>DATE</p> | |

Construction Details - Foundations

11-001-2017-08:33T
 135650115-51014516-2014-Sig.M7-Std.-Construction-Details-Poles.dgn
 11/11/2017