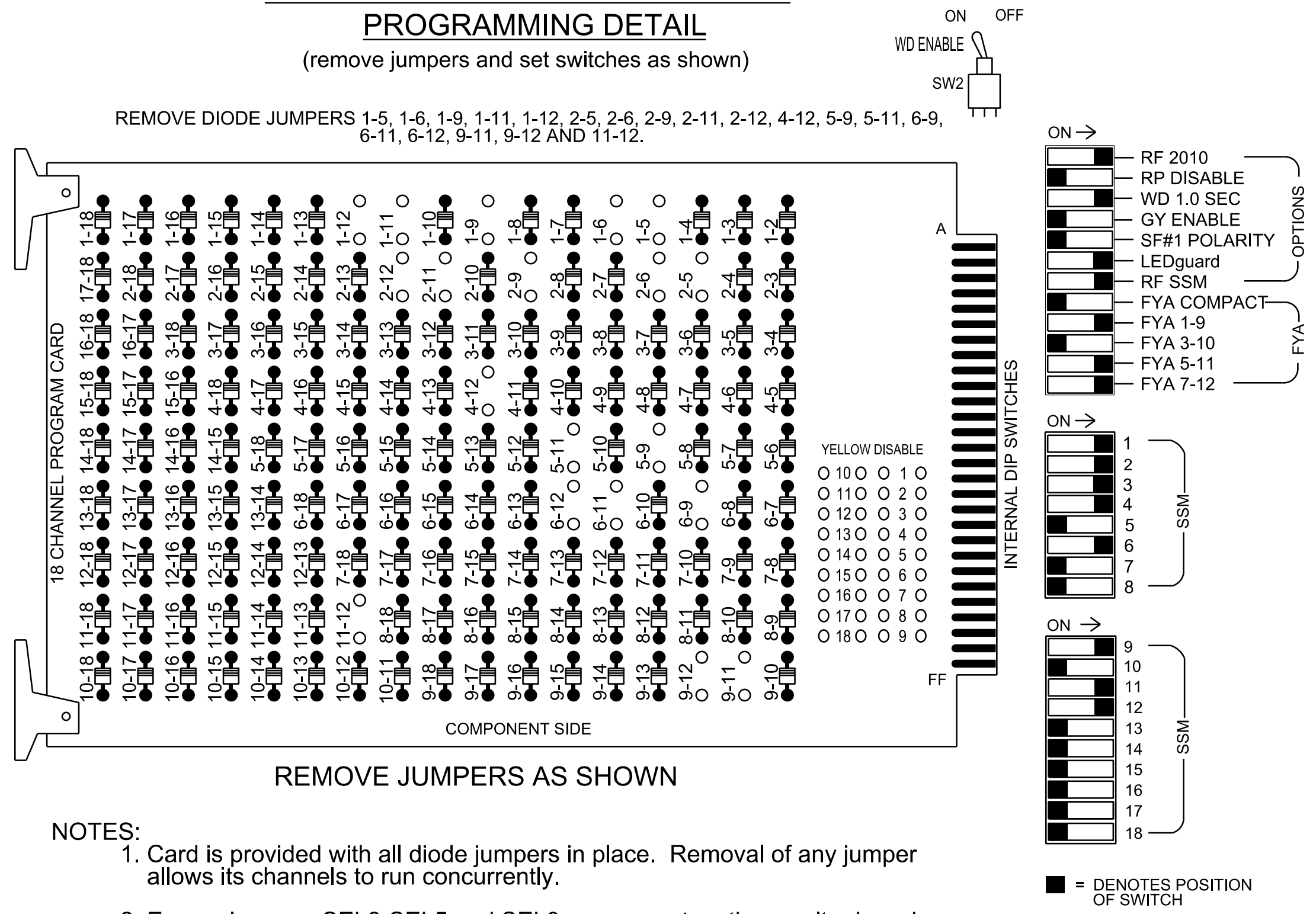


18 CHANNEL IP CONFLICT MONITOR PROGRAMMING DETAIL

(remove jumpers and set switches as shown)



NOTES

- To prevent "flash-conflict" problems, insert red flash program blocks for all unused vehicle load switches in the output file. The installer shall verify that signal heads flash in accordance with the signal plan.
- Program controller to start up in phase 2 Green No Walk and 6 Green No Walk.
- If this signal will be managed by an ATMS software, enable controller and detector logging for all detectors used at this location.
- The cabinet and controller are part of the D14-12 Waynesville Signal System.

EQUIPMENT INFORMATION

Controller.....2070LX
 Cabinet.....332 w/ Aux
 Software.....Q-Free MAXTIME
 Cabinet Mount.....Base
 Output File Positions.....18 With Aux. Output File
 Load Switches Used.....S1, S2, S4, S5, S7, S8, AUX S1, AUX S4, AUX S5

Phases Used.....1, 2, 3, 4, 5, 6
 Overlap "1".....*
 Overlap "2".....NOT USED
 Overlap "3".....*
 Overlap "4".....*

*See overlap programming detail on sheet 2

SIGNAL HEAD HOOK-UP CHART

LOAD SWITCH NO.	S1	S2	S3	S4	S5	S6	S7	S8	S9	S10	S11	S12	AUX S1	AUX S2	AUX S3	AUX S4	AUX S5	AUX S6		
CMU CHANNEL NO.	1	2	13	3	4	14	5	6	15	7	8	16	9	10	17	11	12	18		
PHASE	1	2	2 PED	3	4	4 PED	5	6	6 PED	7	8	8 PED	OL1	OL2	SPARE	OL3	OL4	SPARE		
SIGNAL HEAD NO.	11*	32	21.22	NU	31	32	41	42	43	NU	51*	61,62	NU	NU	NU	11*	NU	51*	63*	NU
RED	*	128		116	116	101	101					134							A101	
YELLOW		129		117	117	102	102	*	135											
GREEN		130		118	118	103	103		136											
RED ARROW						101							A121					A114		
YELLOW ARROW		126				102							A122					A115	A102	
FLASHING YELLOW ARROW													A123					A116	A103	
GREEN ARROW	127	127		118	103	103		133												

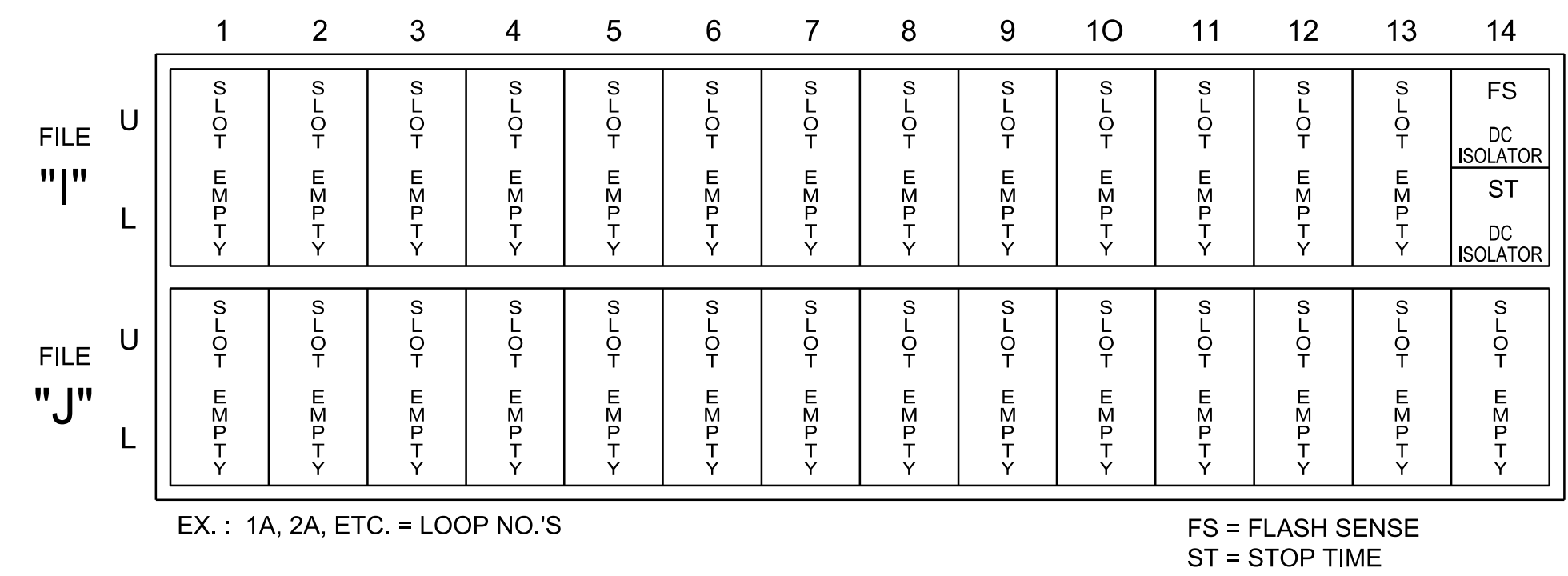
NU = Not Used
 * Denotes install load resistor. See load resistor installation detail this sheet.
 * See pictorial of head wiring in detail this sheet.

SPECIAL DETECTOR NOTE

Install a multizone microwave detection system for vehicle detection. Perform installation according to manufacturer's directions and NCDOT engineer-approved mounting locations to accomplish the detection schemes shown on the Signal Design Plans.

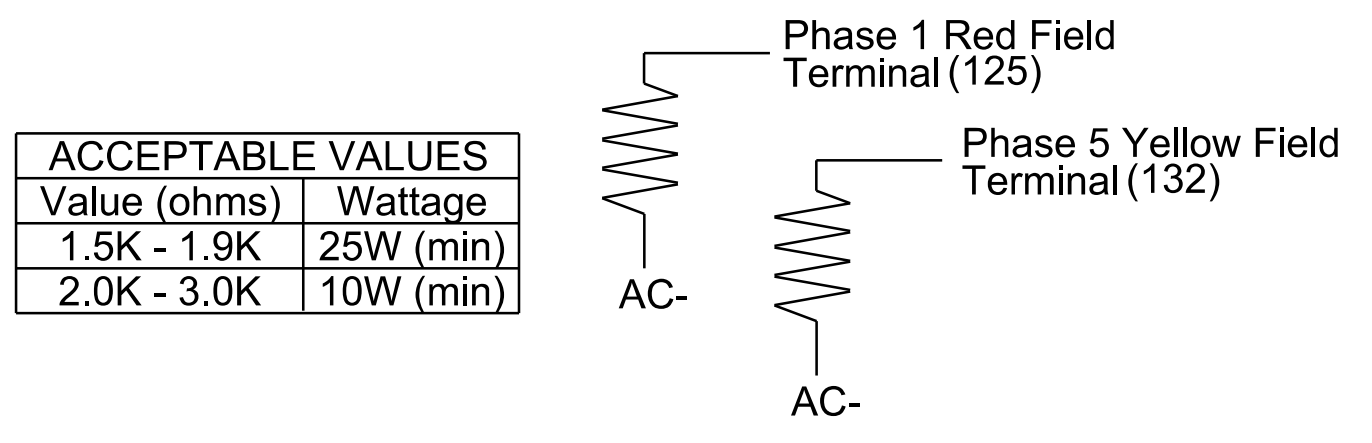
INPUT FILE POSITION LAYOUT

(front view)



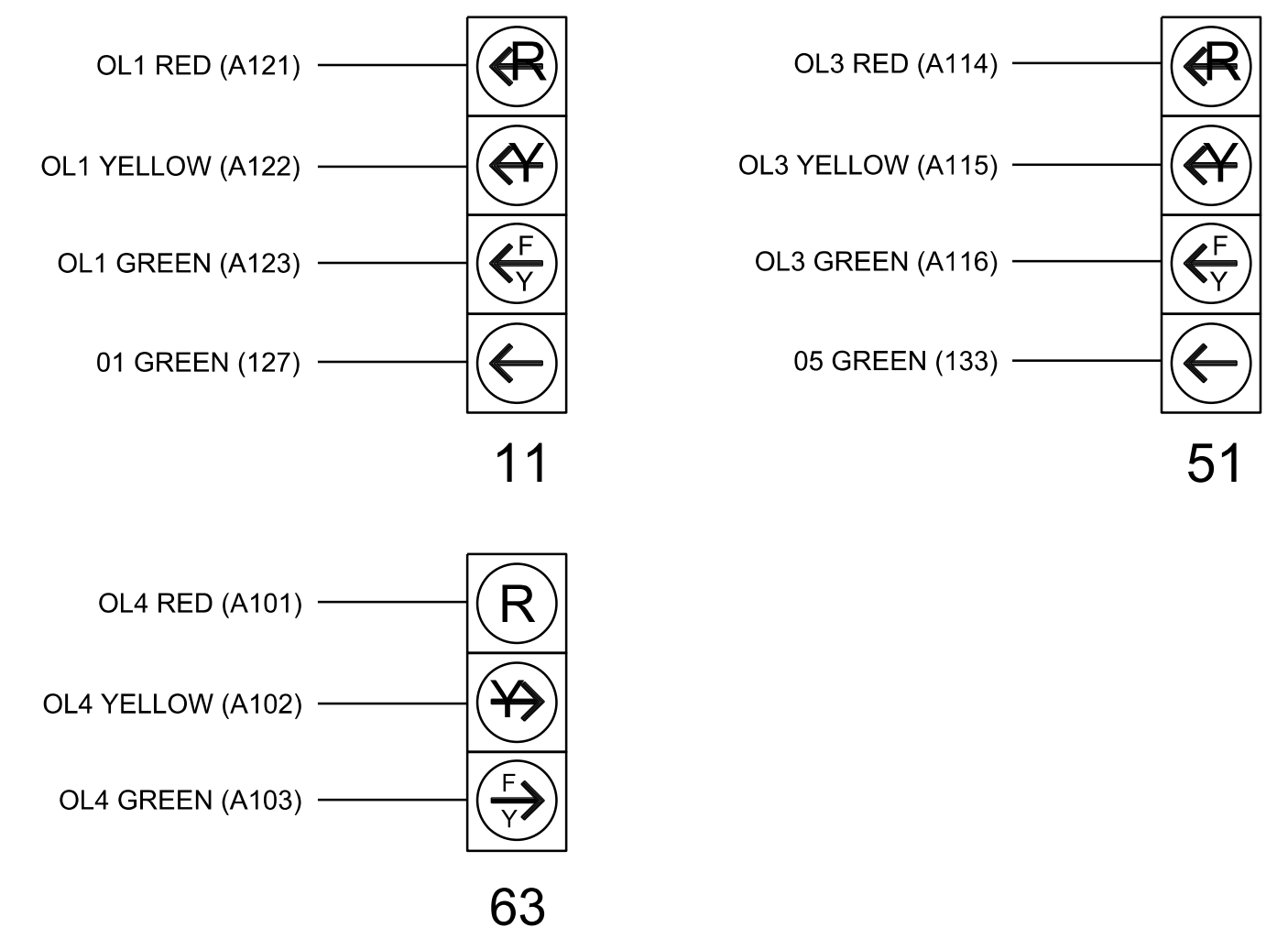
LOAD RESISTOR INSTALLATION DETAIL

(install resistors as shown)



FYA SIGNAL WIRING DETAIL

(wire signal heads as shown)



THIS ELECTRICAL DETAIL IS FOR THE SIGNAL DESIGN: 14-0359T3
 DESIGNED: Apr 2023
 SEALED: 04/11/2023
 REVISED: N/A

Electrical Detail - Sheet 1 of 2
 Temporary Design 3 - (TMP Phase II, Step 1)

ELECTRICAL AND PROGRAMMING DETAILS FOR: RAMEY KEMP ASSOCIATES 8210 University Executive Park Drive Suite 220 Charlotte, North Carolina 28262 Phone: 704-543-4262 www.rkainc.com NC License No. F-1469	Prepared For: US 276 (Russ Avenue) at Dellwood Road/ SR 1184 (Howell Mill Road) Division 14 Haywood County Waynesville	SEAL SEAL 32396 WILLIAM J. HAMILTON ENGINEER 04/11/2023
	PLAN DATE: April 2023 PREPARED BY: TS Popelka REVISIONS:	REVIEWED BY: WJ Hamilton RKA PROJ. NO: 16085 (040) INIT. DATE

750 N. Greenfield Pkwy, Garner, NC 27529