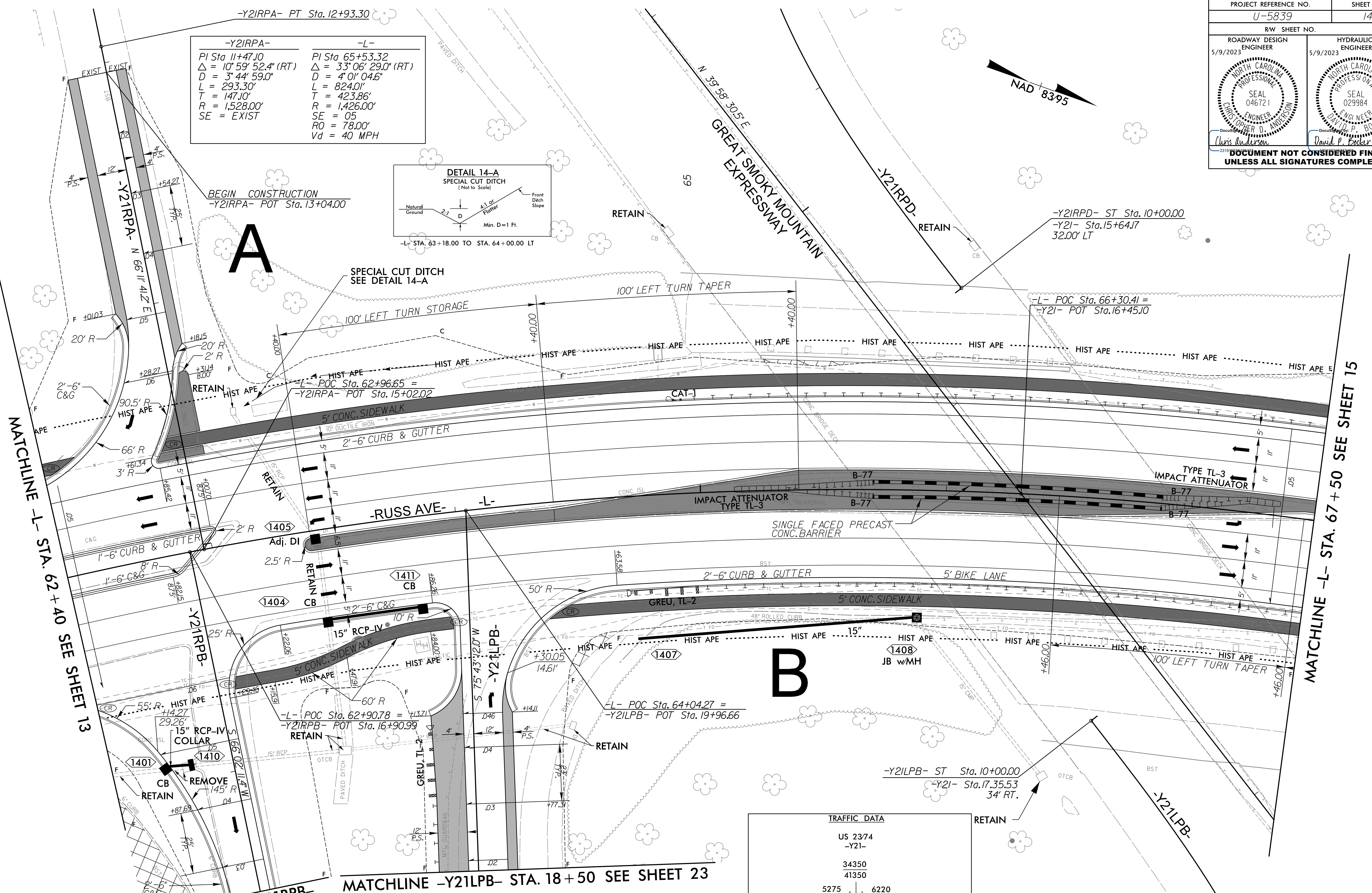
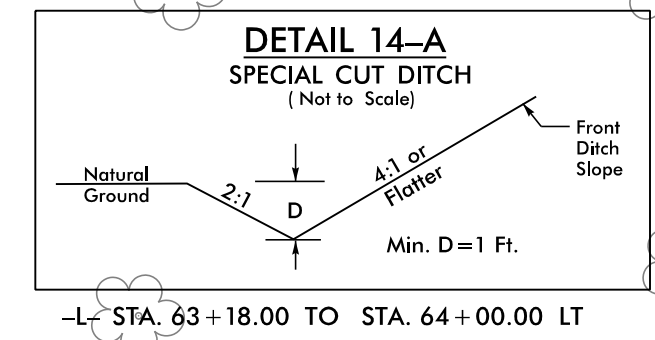


PROJECT REFERENCE NO. U-5839	SHEET NO. 14
RW SHEET NO.	
ROADWAY DESIGN ENGINEER 5/9/2023	HYDRAULICS ENGINEER 5/9/2023
DOCUMENT NOT CONSIDERED FINAL UNLESS ALL SIGNATURES COMPLETED	

-Y2IRPA-	-L-
PI Sta 11+47.10	PI Sta 65+53.32
$\Delta = 10^\circ 59' 52.4" (RT)$	$\Delta = 33^\circ 06' 29.0" (RT)$
$D = 3^\circ 44' 59.0"$	$D = 4^\circ 01' 04.6"$
$L = 293.30'$	$L = 824.01'$
$T = 147.10'$	$T = 423.86'$
$R = 1,528.00'$	$R = 1,426.00'$
SE = EXIST	SE = 05
	RO = 78.00'
	Vd = 40 MPH



TRAFFIC DATA

US 2374		-Y21-	
34350		41350	
5275	6220	6360	7470
26160	16560	11610	1070
29575	17975	14025	1320
33540		42870	
-Y21-		YEAR 2021 ADT	
US 2374		YEAR 2041 ADT	

FOR -L- PROFILE SEE SHT.30
 FOR -Y2IRPA- PROFILE SEE SHT.38
 FOR -Y2IRPB- PROFILE SEE SHT.38
 FOR -Y2ILPB- PROFILE SEE SHT.39

	HIST APE		AREA OF POTENTIAL EFFECTS BOUNDARY
	CONCRETE SIDEWALK/MEDIAN		PAVEMENT REMOVAL
	PAVED SHOULDER		

NV5

NV5 ENGINEERS & CONSULTANTS, INC.
 7500 E. INDEPENDENCE BLVD, STE 100
 CHARLOTTE, NC 28227
 P: 704.537.7300 www.NV5.com

NC License # F-1333
 formerly CALYX Engineers & Consultants

8.17.2023
 R:\Roadway\Pro\U5839_RDY_PSH_14.dgn
 Ryan.Carethers