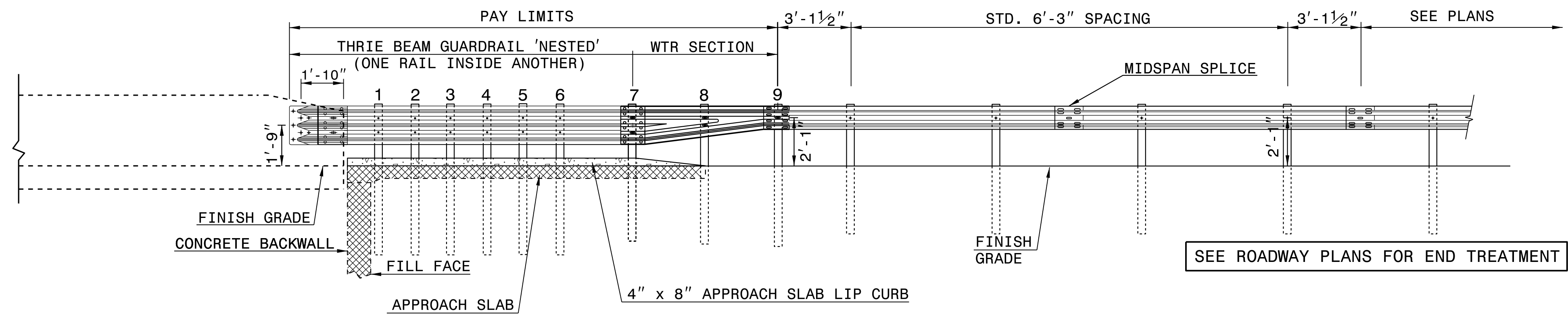


STATE OF NORTH CAROLINA
DEPT. OF TRANSPORTATION
DIVISION OF HIGHWAYS
RALEIGH, N.C.

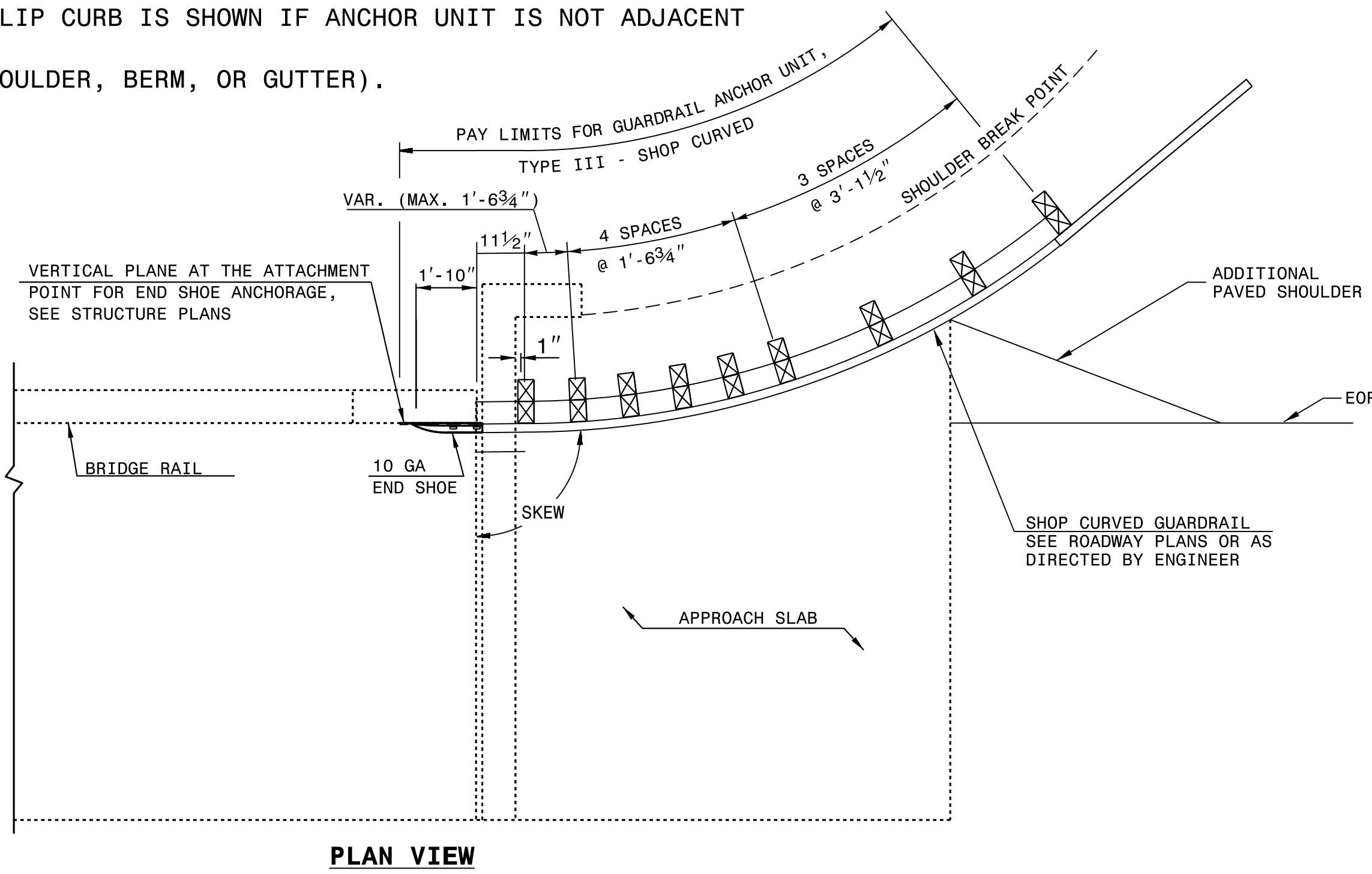
ENGLISH DETAIL DRAWING FOR
**TYPE III - SHOP CURVED
STRUCTURE ANCHOR UNIT**

SHEET 1 OF 1
TYPE III SC



NOTE:

- **POST NOT REQUIRED FOR SKEW ANGLES GREATER THAN 150° OR LESS THAN 30° UNLESS OTHERWISE DIRECTED BY THE ENGINEER.
- *THE DISTANCE FROM END OF BRIDGE RAIL TO CENTER LINE OF THE FIRST POST SHOULD BE 11 1/2" IF CONCRETE BACKWALL IS NOT PRESENT.
- SHOULDER BERM GUTTER MUST BE INSTALLED TO THE LIMITS 8" x 4" LIP CURB IS SHOWN IF ANCHOR UNIT IS NOT ADJACENT TO AN APPROACH SLAB.
- MEASURE GUARDRAIL HEIGHT FROM THE TOP OF ADJACENT SURFACE (SHOULDER, BERM, OR GUTTER).
- USE NO STEEL POSTS WITHIN THE GUARDRAIL ANCHOR UNIT LIMITS.
- LAP JOINTS IN THE DIRECTION OF TRAFFIC FLOW.
- SEE STANDARD 862.03 SHEET 4 FOR POST SECTIONS 1 THRU 9.



**GUARDRAIL ANCHOR UNIT, TYPE III - SHOP CURVED
FOR ATTACHMENT TO RAIL ON BRIDGE**

SHEET 1 OF 1
TYPE III SC

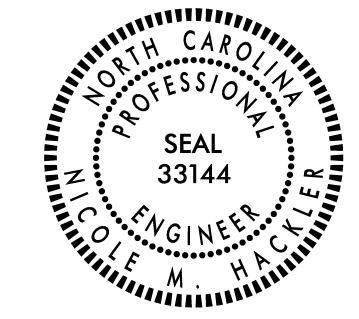
STATE OF NORTH CAROLINA
DEPT. OF TRANSPORTATION
DIVISION OF HIGHWAYS
RALEIGH, N.C.

ENGLISH DETAIL DRAWING FOR
**TYPE III - SHOP CURVED
STRUCTURE ANCHOR UNIT**

01-FEB-2018 09:49 S:\Contracts\Special Details\howerton\Guardrail\31 inch Guardrail\type_iii_sc.dgn J:\howerton AT_CSD-292595

DOCUMENT NOT CONSIDERED FINAL
UNLESS ALL SIGNATURES COMPLETED

5/25/2023



DocuSigned by:
Nicole M. Hecker
58843203416405

**CONTRACT STANDARDS
AND DEVELOPMENT UNIT**
Office 919-707-6950 FAX 919-250-4119

SEE PLATE FOR TITLE

ORIGINAL BY: E.E.Ward DATE: 4-4-02
MODIFIED BY: T.S.Spell DATE: 2-01-18
CHECKED BY: DATE:
FILE SPEC.: J:\howerton\guardrail\31inchguardrail\typeiiiisc.dgn