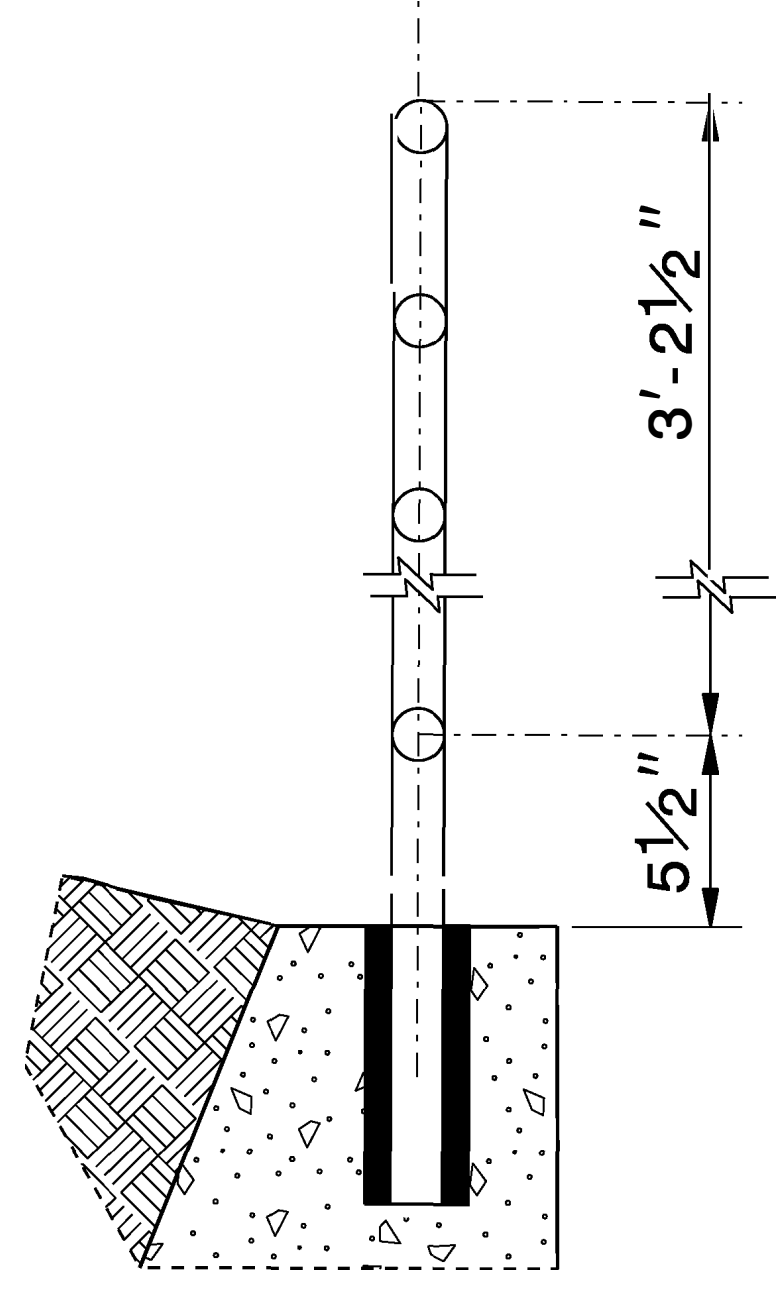
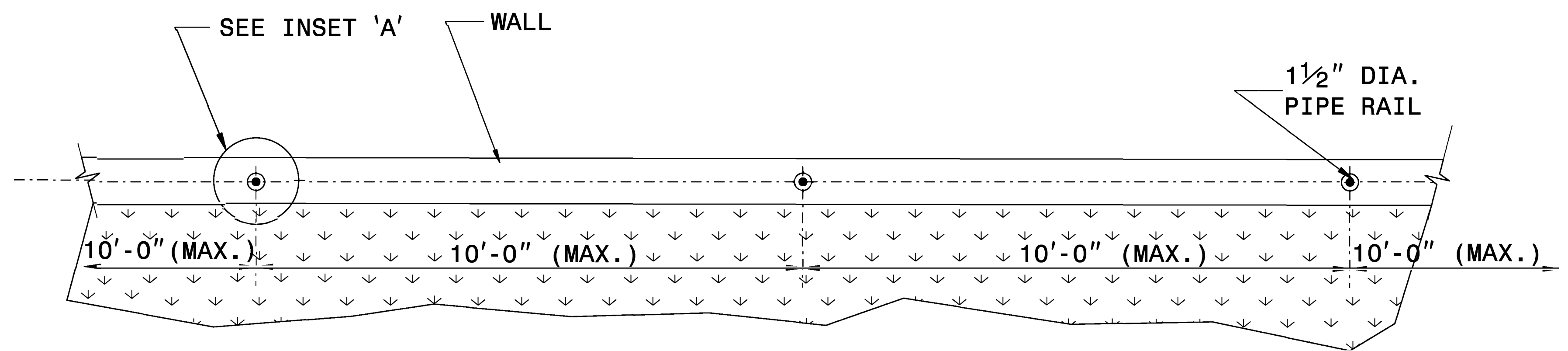


ELEVATION OF HANDRAIL



INSET 'A'



PLAN VIEW

NOTES:

CONSTRUCT PROPOSED STEEL PIPE RAIL 1 1/2" DIAMETER SCHEDULE 40 PLAIN END GALVANIZED STEEL PIPE MEETING THE REQUIREMENTS OF ASTM A53.

PAINT, IF REQUIRED BY THE ENGINEER, IN ACCORDANCE WITH SECTION 1080 OF THE STANDARD SPECIFICATIONS.

WELD IN ACCORDANCE WITH ARTICLE 1072-18 OF THE STANDARD SPECIFICATIONS.

SUBMIT THE ATTACHMENT OF THE HANDRAIL TO THE RETAINING WALL TO THE CONTRACTS AND STANDARDS OFFICE FOR APPROVAL.

I4-MAR-2019 10:43 5:\Contracts\Special Details\Howerton\Handrail on Retaining Wall.dgn jhowerton AT USD-292595



DOCUMENT NOT CONSIDERED FINAL
UNLESS ALL SIGNATURES COMPLETED

**CONTRACT STANDARDS
AND DEVELOPMENT UNIT**
Office 919-707-6950 FAX 919-250-4119

**DETAIL OF PIPE HANDRAIL
MOUNTED ON A WALL**

ORIGINAL BY: E.E. WARD	DATE: 12-99
MODIFIED BY:	DATE:
CHECKED BY:	DATE:
FILE SPEC.: jhowerton/handrail_on_retaining_wall.dgn	