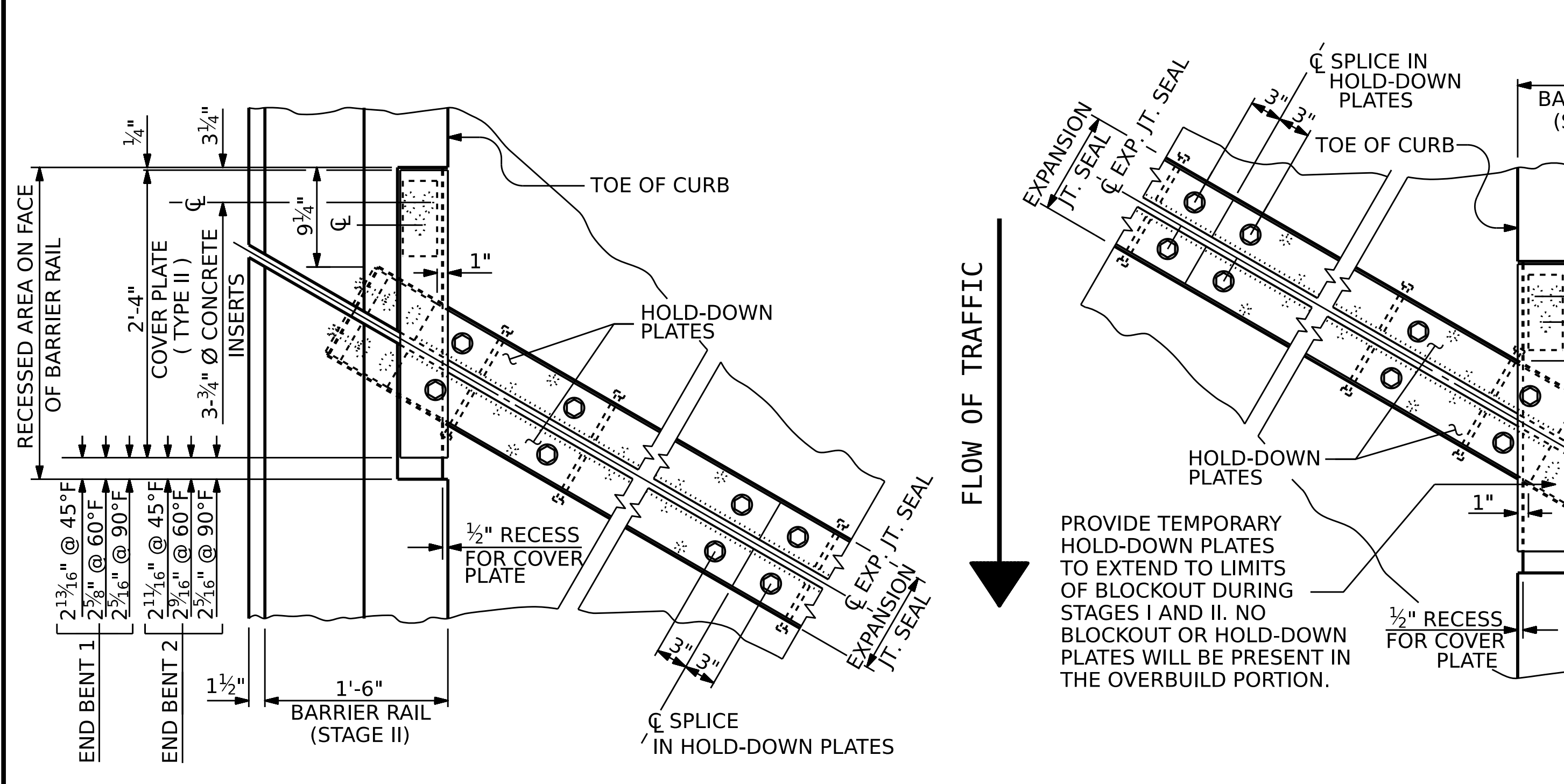
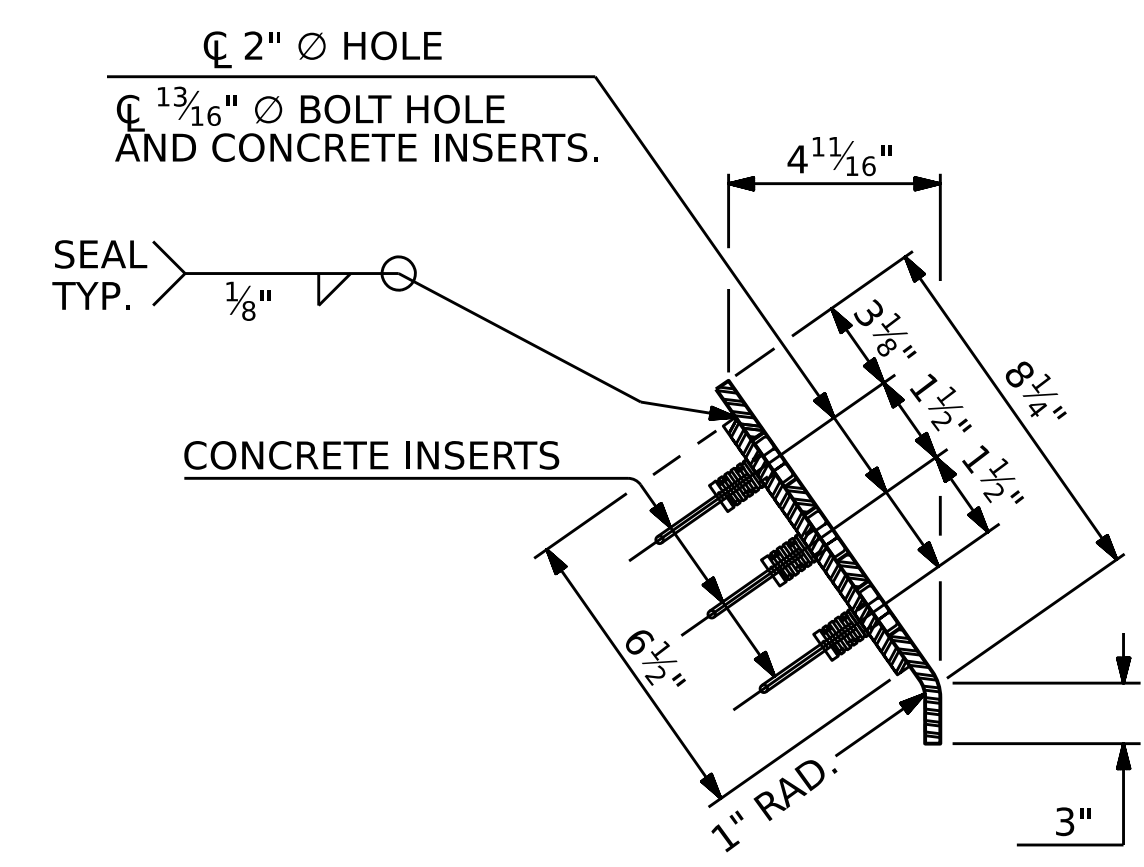


**SECTION THRU RAIL NORMAL TO JOINT**

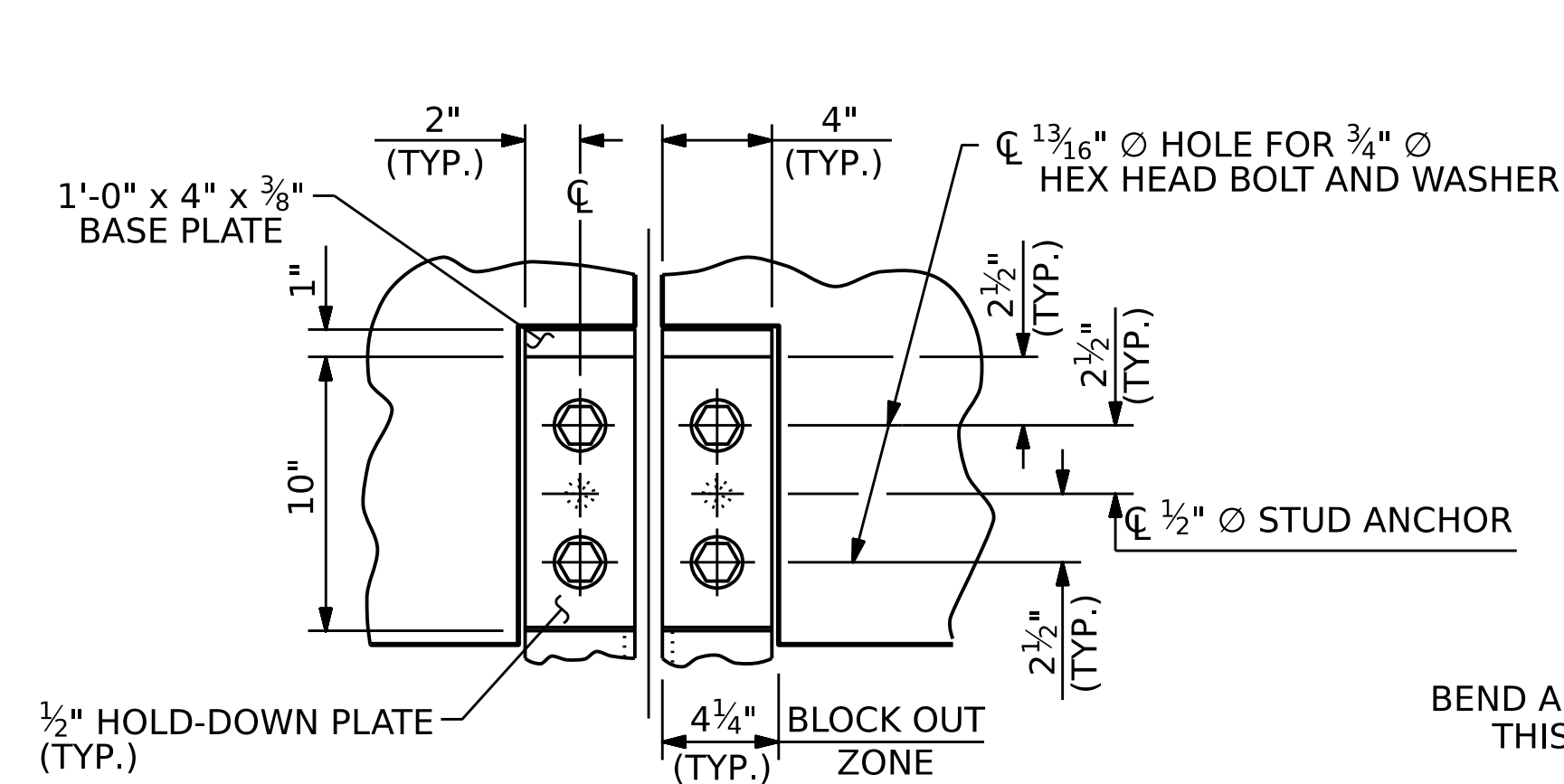


**PLAN OF EXPANSION JOINT SEAL**

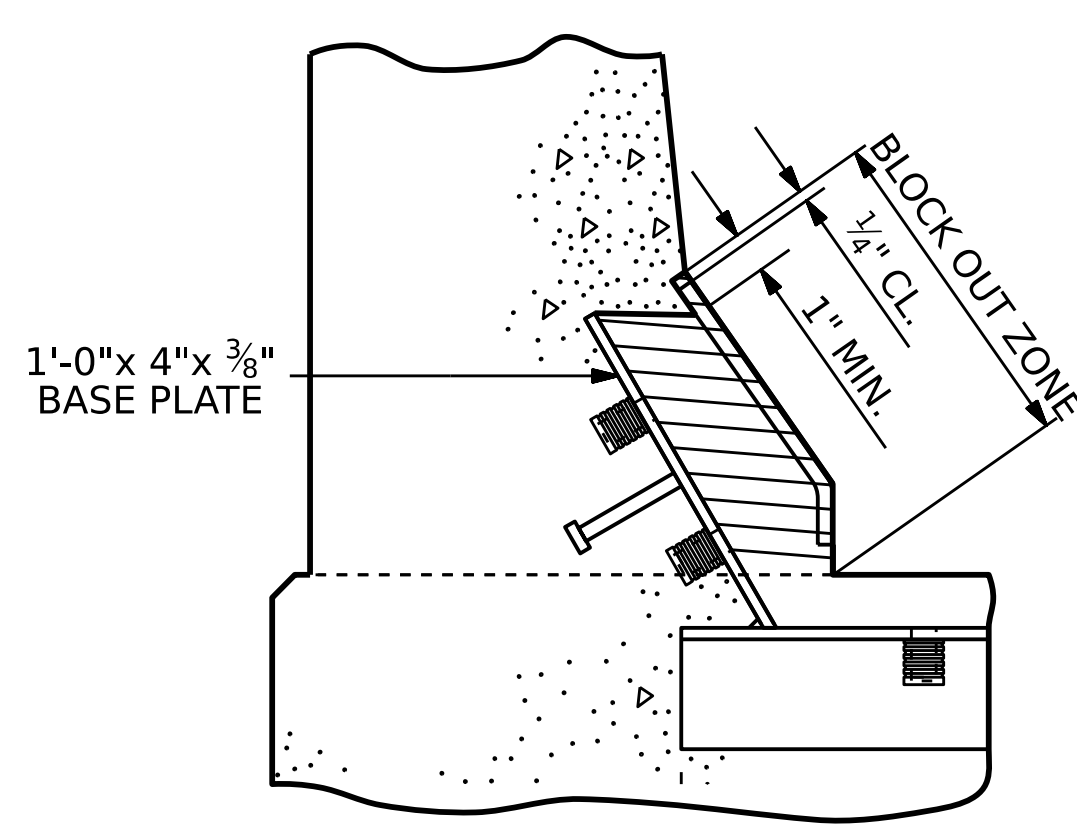
ASSEMBLED BY : T.E. NEAL	DATE : 04/2023
CHECKED BY : C. MORRISON	DATE : 04/2023
DRAWN BY : REK 9/87	REV. 7/12 MAA/GM
CHECKED BY : CRK 10/87	REV. 6/13 MAA/GM
	REV. 12/17 MAA/THC



**END VIEW**

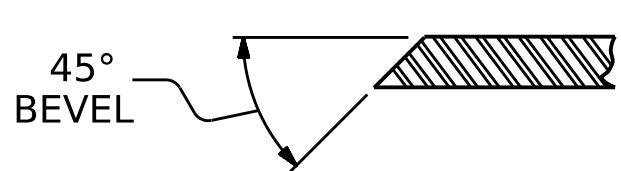


**SECTION A-A**

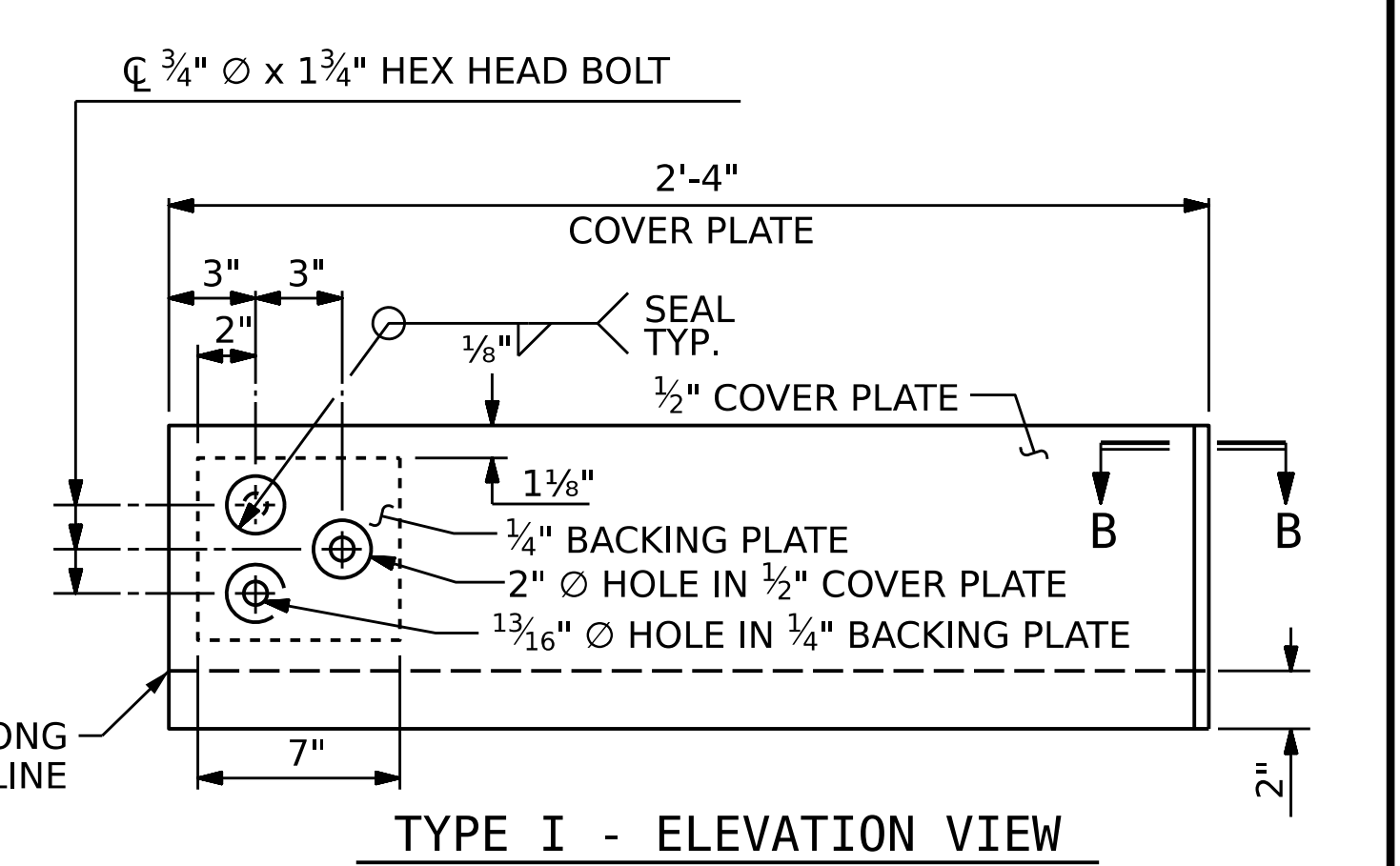


**BLOCK OUT DETAIL**

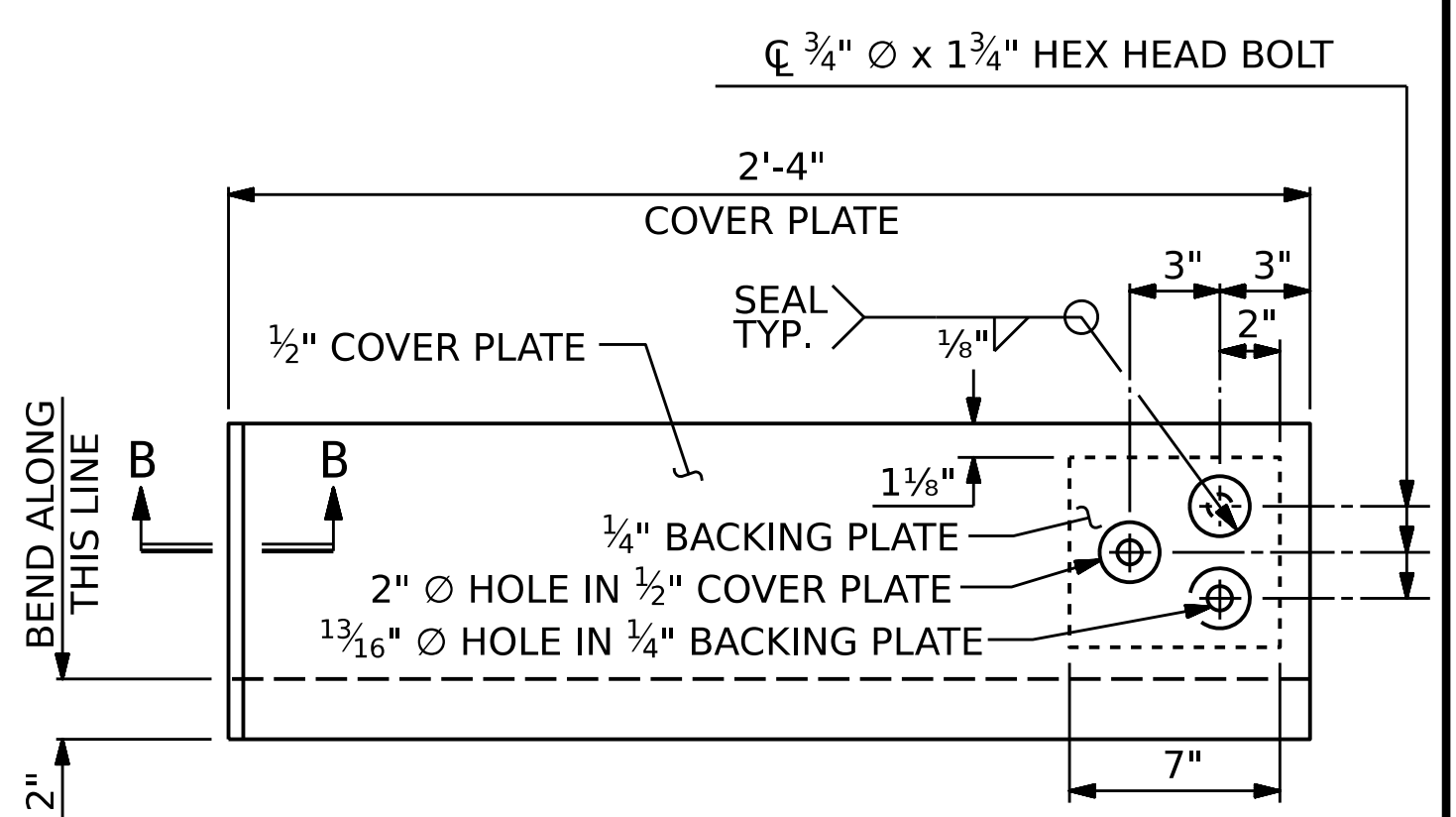
SEE "SECTION A - A" FOR OTHER DETAILS



**SECTION B-B**

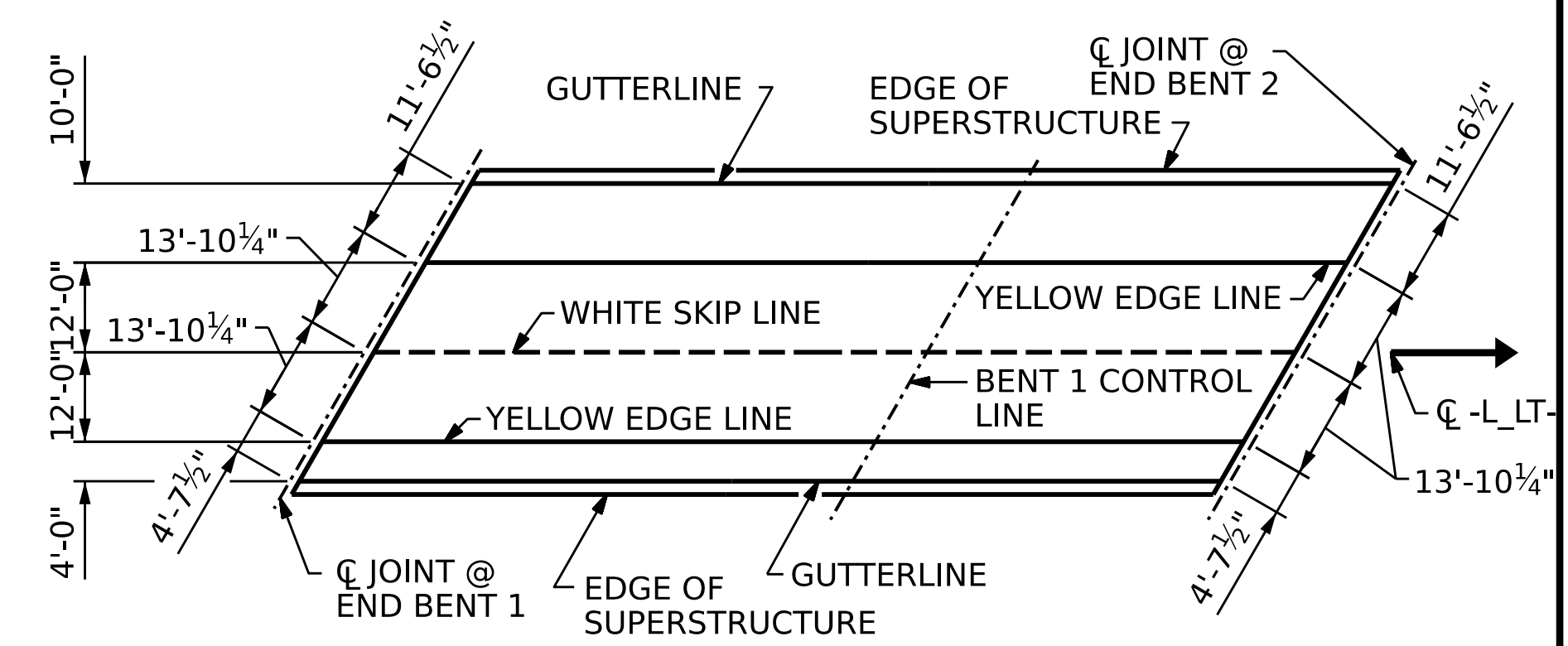


**TYPE I - ELEVATION VIEW**



**TYPE II - ELEVATION VIEW**

**COVER PLATE DETAILS**



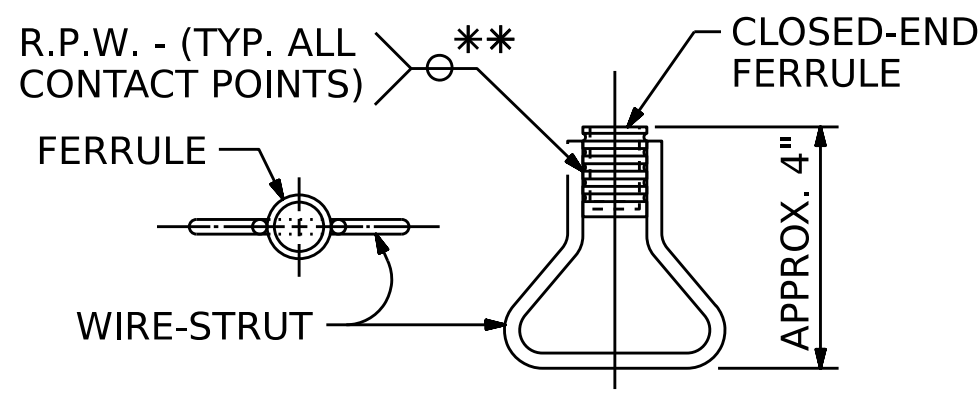
**PAVEMENT MARKING ALIGNMENT**

PROJECT NO. B-3186 / B-5898

HAYWOOD COUNTY

STATION: 24+70.00 -L\_LT-

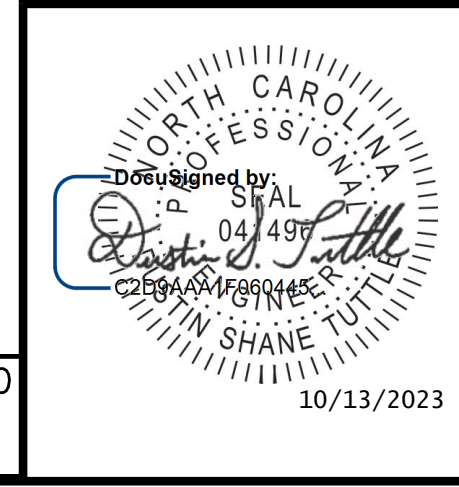
SHEET 2 OF 2



**CONCRETE INSERT**

\*\* EACH WELDED ATTACHMENT OF WIRE TO FERRULE SHALL DEVELOP THE TENSILE STRENGTH OF THE WIRE

DOCUMENT NOT CONSIDERED FINAL UNLESS ALL SIGNATURES COMPLETED



STATE OF NORTH CAROLINA		DEPARTMENT OF TRANSPORTATION		RALEIGH	
STANDARD					
EXPANSION JOINT SEAL DETAILS FOR BARRIER RAIL					
REVISIONS					
NO.	BY:	DATE:	NO.	BY:	DATE:
1			3		
2			4		
SHEET NO. S3-29					TOTAL SHEETS 50

STD. NO. EJS2