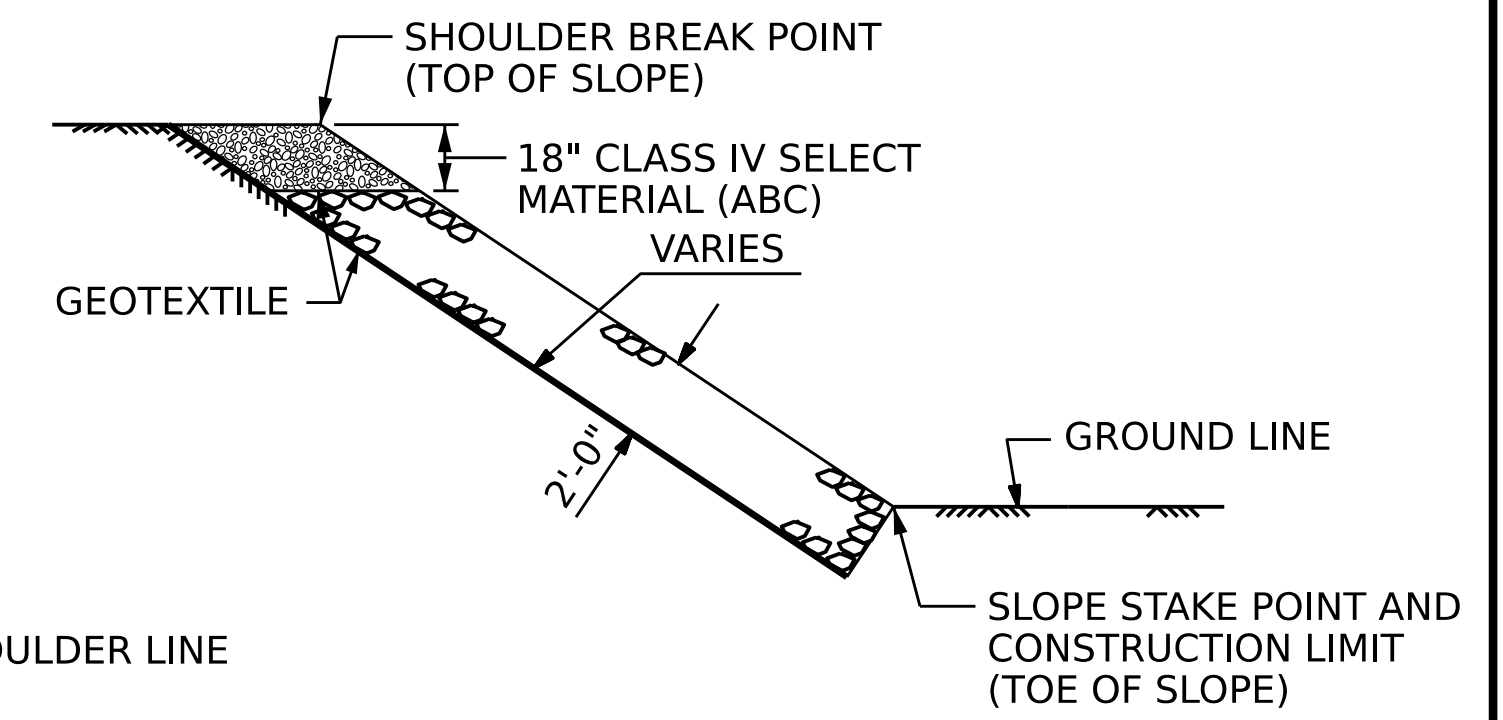
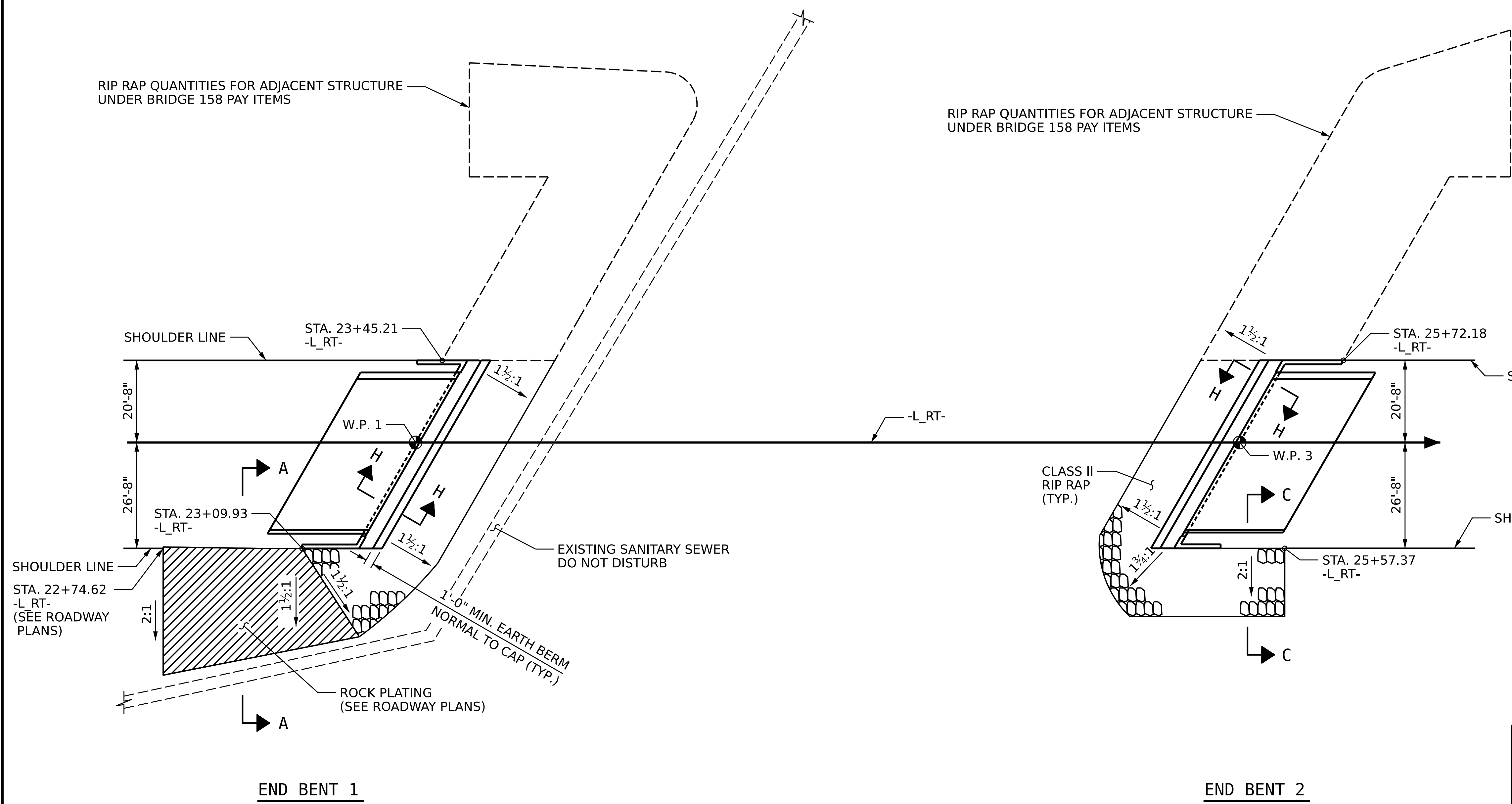
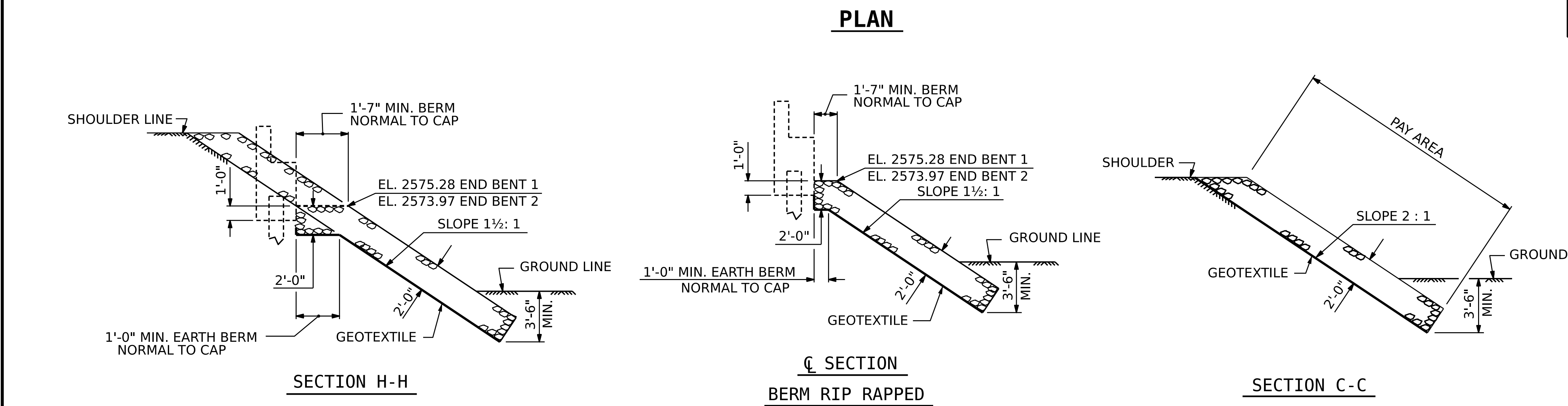


**NOTES**  
FOR BERM WIDTH DIMENSIONS, SEE GENERAL DRAWING.



ESTIMATED QUANTITIES		
BRIDGE @ STA. 24+42.26 -L_RT-	RIP RAP CLASS II (2'-0" THICK)	GEOTEXTILE FOR DRAINAGE
	TONS	SQUARE YARDS
END BENT 1	174	193
END BENT 2	287	318



PROJECT NO. B-3186 / B-5898  
HAYWOOD COUNTY  
STATION: 24+42.26 -L\_RT-

**AECOM**  
AECOM TECHNICAL SERVICES OF NC, INC.  
5438 WADE PARK BOULEVARD, SUITE 200  
RALEIGH, NC 27607  
(919) 854-6200 www.aecom.com  
AECOM License No. F0242

**SEAL**  
NORTH CAROLINA PROFESSIONAL ENGINEER  
054212  
AUSTIN VANVUREN

STATE OF NORTH CAROLINA  
DEPARTMENT OF TRANSPORTATION  
RALEIGH

**STANDARD  
RIP RAP DETAILS**

REVISIONS						SHEET NO. S2-28
NO.	BY:	DATE:	NO.	BY:	DATE:	
1			3			TOTAL SHEETS 31
2			4			

ASSEMBLED BY : A.R. VAN VUREN DATE : 05/2023  
CHECKED BY : A.K. VASUDEVAN DATE : 05/2023  
DRAWN BY : REK 1/84  
CHECKED BY : RDU 1/84

REV. 10/1/11 MAA/GM  
REV. 12/21/11 MAA/GM  
REV. 12/17 MAA/THC

DOCUMENT NOT CONSIDERED  
FINAL UNLESS ALL  
SIGNATURES COMPLETED

10/18/2023