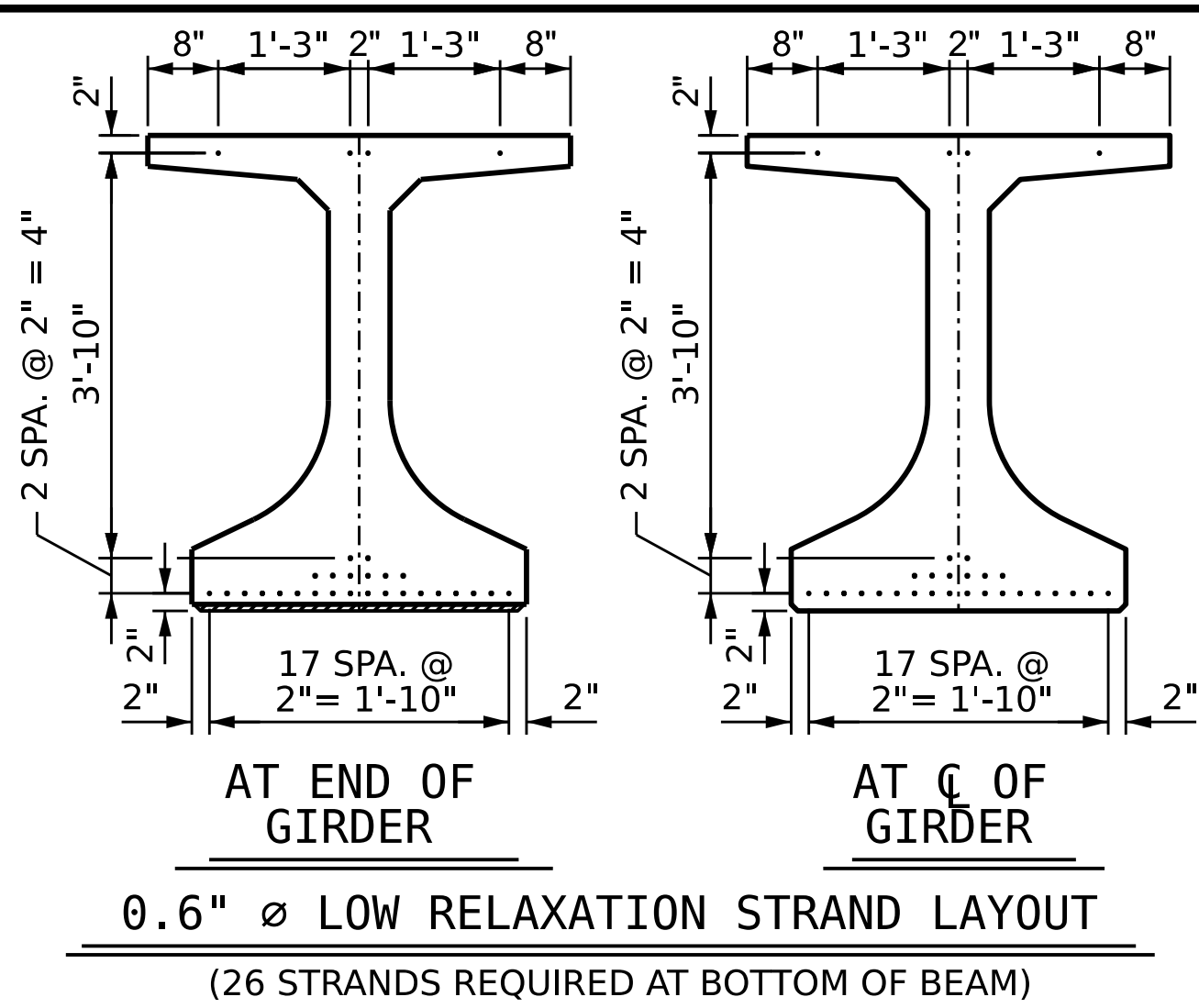
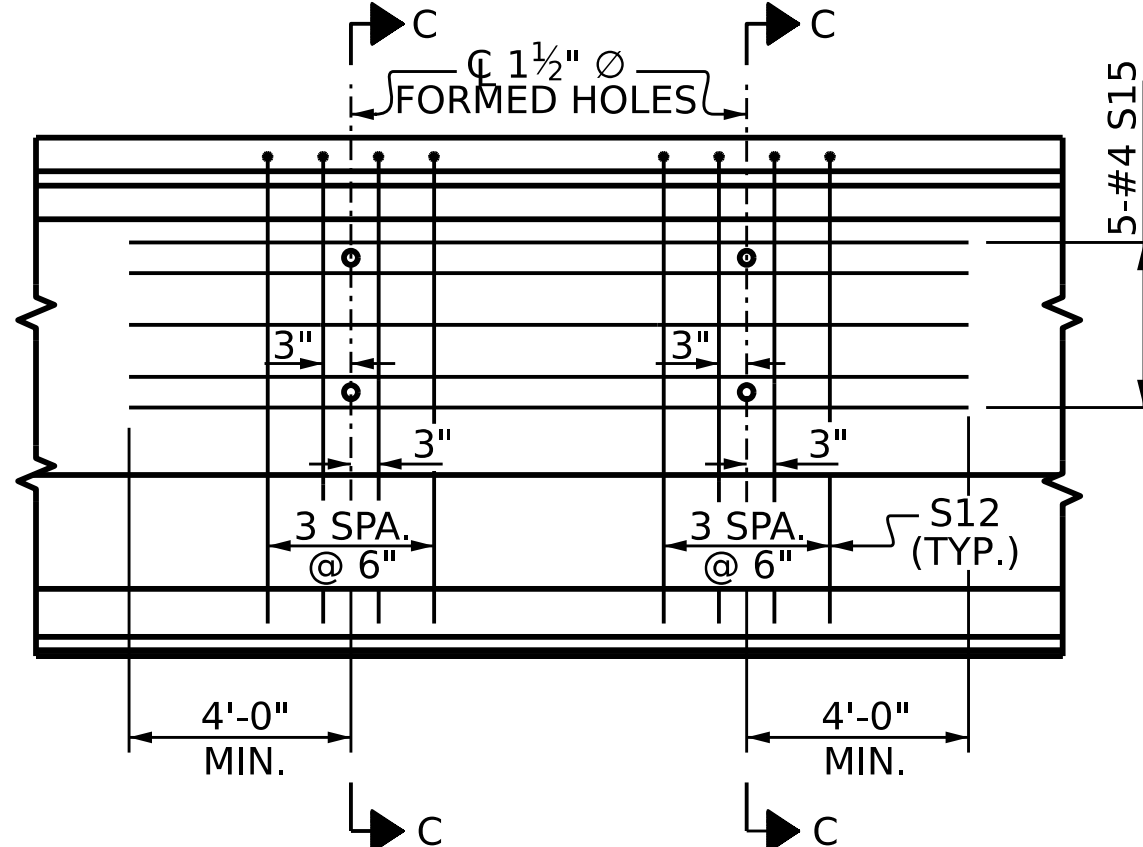
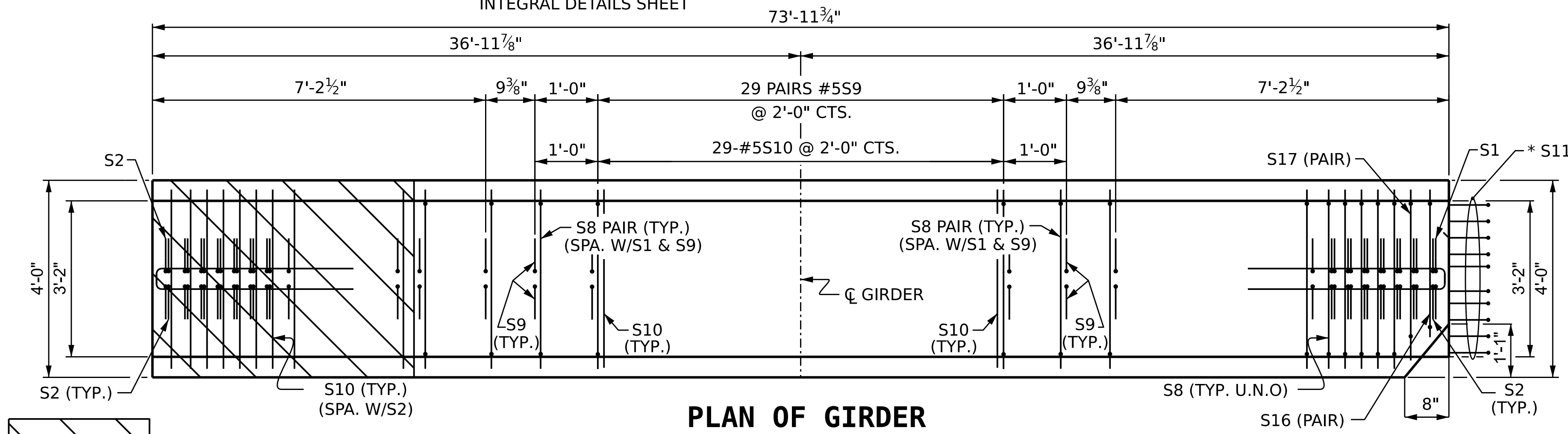
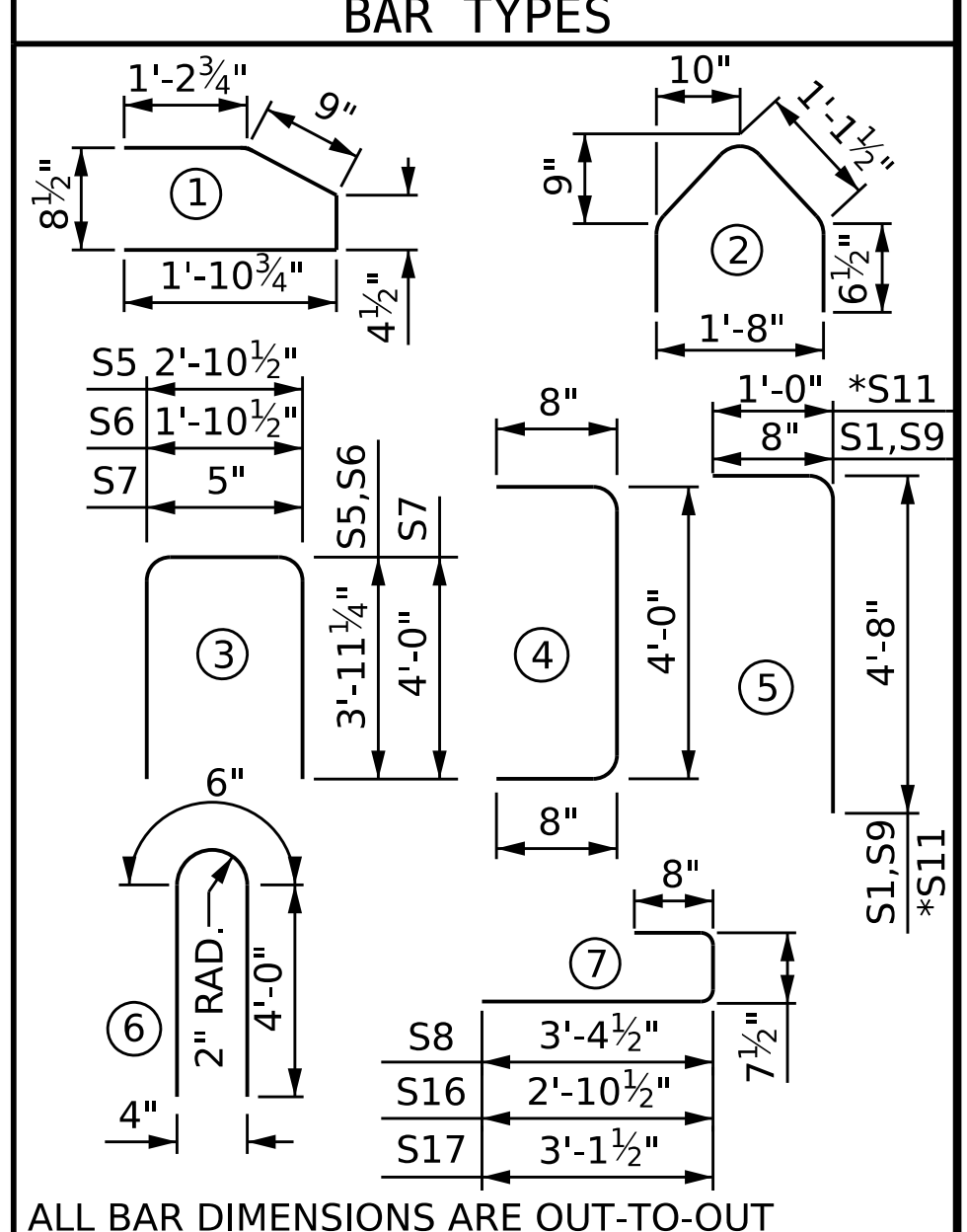


DEBONDING LEGEND
 • FULLY BONDED STRANDS

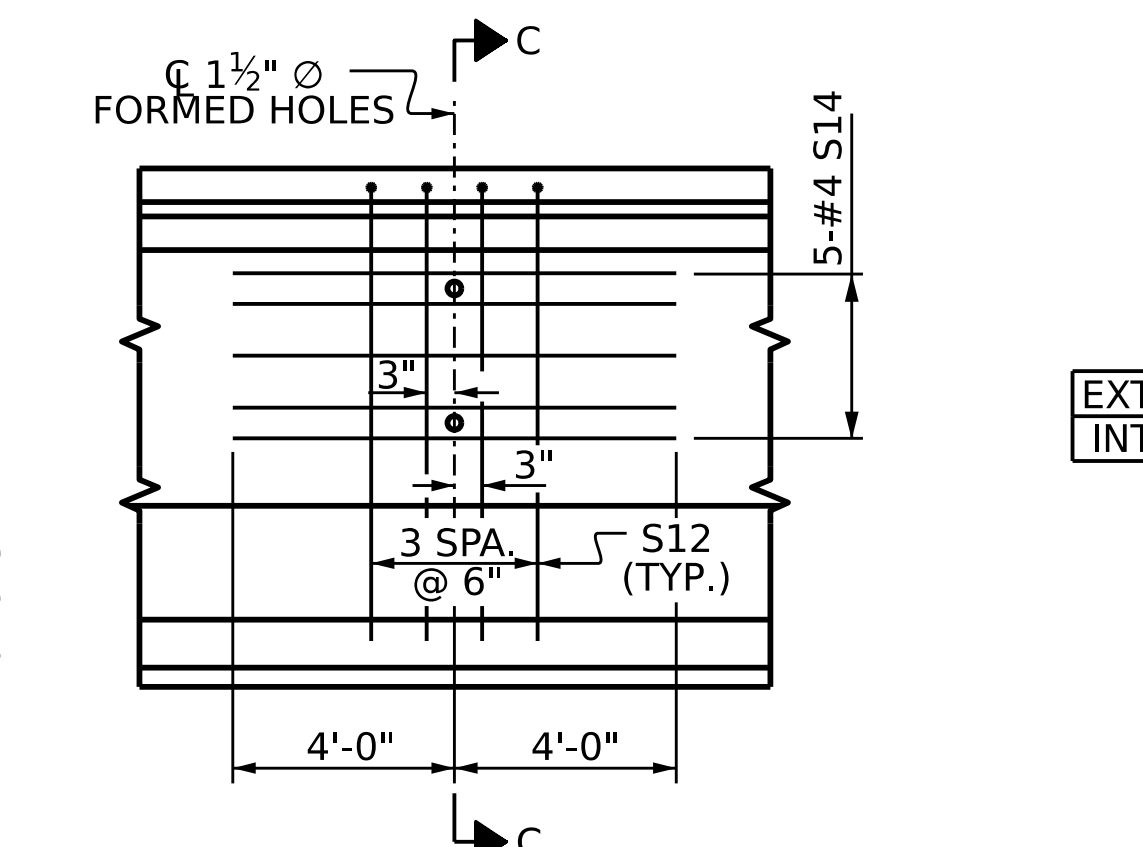
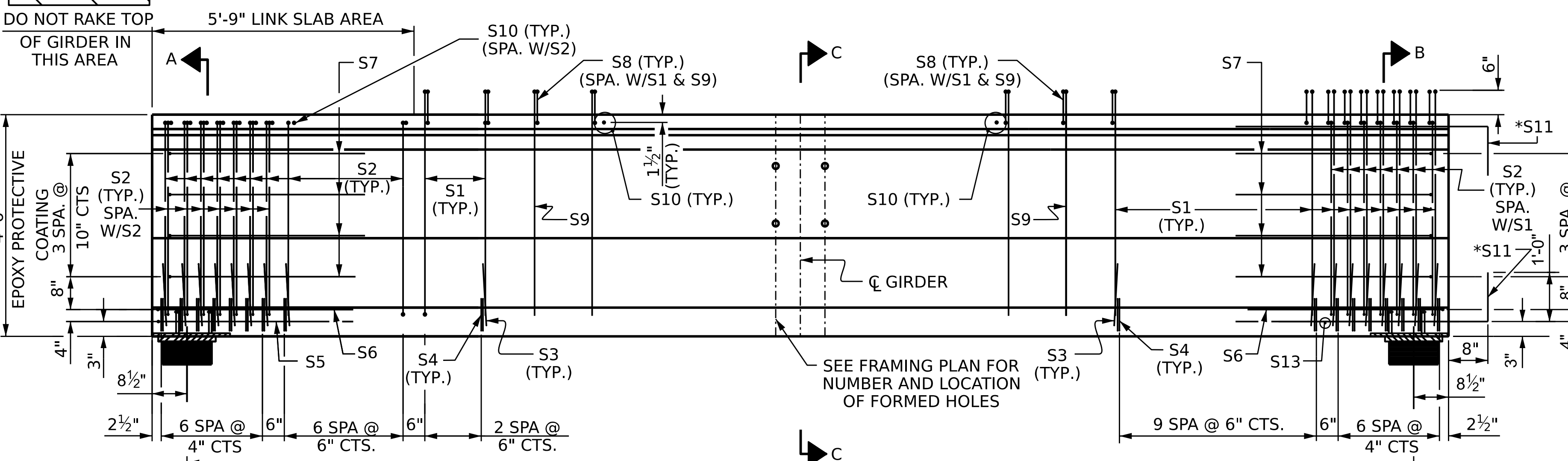


EXTERIOR GDR.	S12	8	#5	6	8'-6"	71
INTERIOR GDR.	S12	16	#5	6	8'-6"	142
EXTERIOR GDR.	S14	5	#4	STR	8'-0"	27
INTERIOR GDR.	S15	5	#4	STR	12'-0"	40
	S16	2	#5	7	4'-2"	9
	S17	2	#5	7	4'-5"	9

0.6" Ø L. R. GRADE 270 STRANDS				
AREA (SQ. INCHES)	ULTIMATE STRENGTH (LBS. PER STRAND)	APPLIED PRESTRESS (LBS. PER STRAND)		
0.217	58,600	43,950		
REINFORCING STEEL FOR ONE GDR				
BAR NUMBER	SIZE	TYPE	LENGTH	WEIGHT
S1	#5	5	5'-4"	223
S2	#5	4	5'-4"	311
S3	#3	2	3'-4"	43
S4	#3	1	4'-3"	109
S5	#5	3	10'-9"	11
S6	#5	3	9'-9"	20
S7	#4	3	8'-5"	45
S8	#5	7	4'-8"	477
S9	#5	5	5'-4"	345
S10	#5	STR	3'-8"	164
*S11	#6	5	5'-8"	170
S12	#5	6	8'-6"	71
S13	#3	STR	2'-10"	2
S14	#4	STR	8'-0"	27
S15	#4	STR	12'-0"	40
S16	#5	7	4'-2"	9
S17	#5	7	4'-5"	9



PARTIAL ELEVATION
 SHOWING INTERMEDIATE STEEL DIAPHRAGM REINFORCING STEEL FOR GIRDER Nos. 2 THRU 5

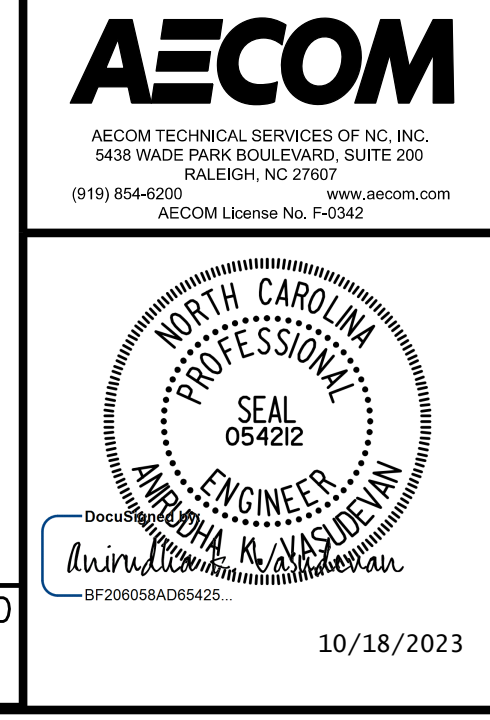


PARTIAL ELEVATION
 SHOWING INTERMEDIATE STEEL DIAPHRAGM REINFORCING STEEL FOR GIRDER Nos. 1 & 6

QUANTITIES FOR ONE GIRDER			
REINFORCING STEEL	8000 PSI CONCRETE	0.6" Ø L.R. STRANDS	
LB.	C.Y.	No.	
EXTERIOR GDR.	2,036	17.7	30
INTERIOR GDR.	2,120	17.7	30

GIRDERS REQUIRED		
NUMBER	LENGTH	TOTAL LENGTH
6	73'-11 3/4"	443'-10 1/2"

PROJECT NO. B-3186 / B-5898
 HAYWOOD COUNTY
 STATION: 24+42.26 -L_RT-
 SHEET 2 OF 4



REVISIONS						SHEET NO. S2-12
NO.	BY:	DATE:	NO.	BY:	DATE:	
1			3			TOTAL SHEETS 31
2			4			

* NOTE:
 S11 BARS SHALL BE BENT BEFORE SHIPMENT. HEAT BENDING SHALL NOT BE ALLOWED.
 SEE DETAIL "C" ON SHEET 3 OF 4

ASSEMBLED BY : A.R. VAN VUREN DATE : 03/2023
 CHECKED BY : J.C. MORRISON DATE : 04/2023
 DRAWN BY : BNB 09/21
 CHECKED BY : AAI 09/22

DOCUMENT NOT CONSIDERED FINAL UNLESS ALL SIGNATURES COMPLETED

10/18/2023

STD. NO. FIB54