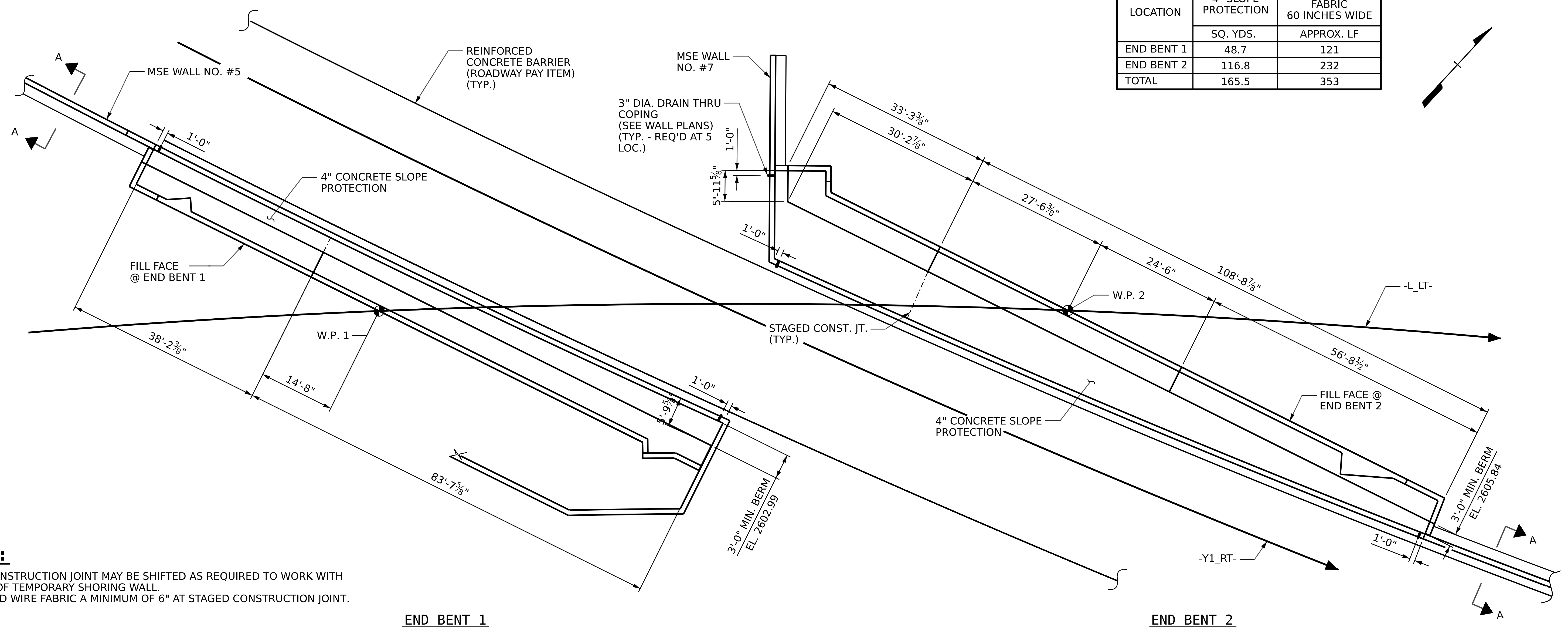
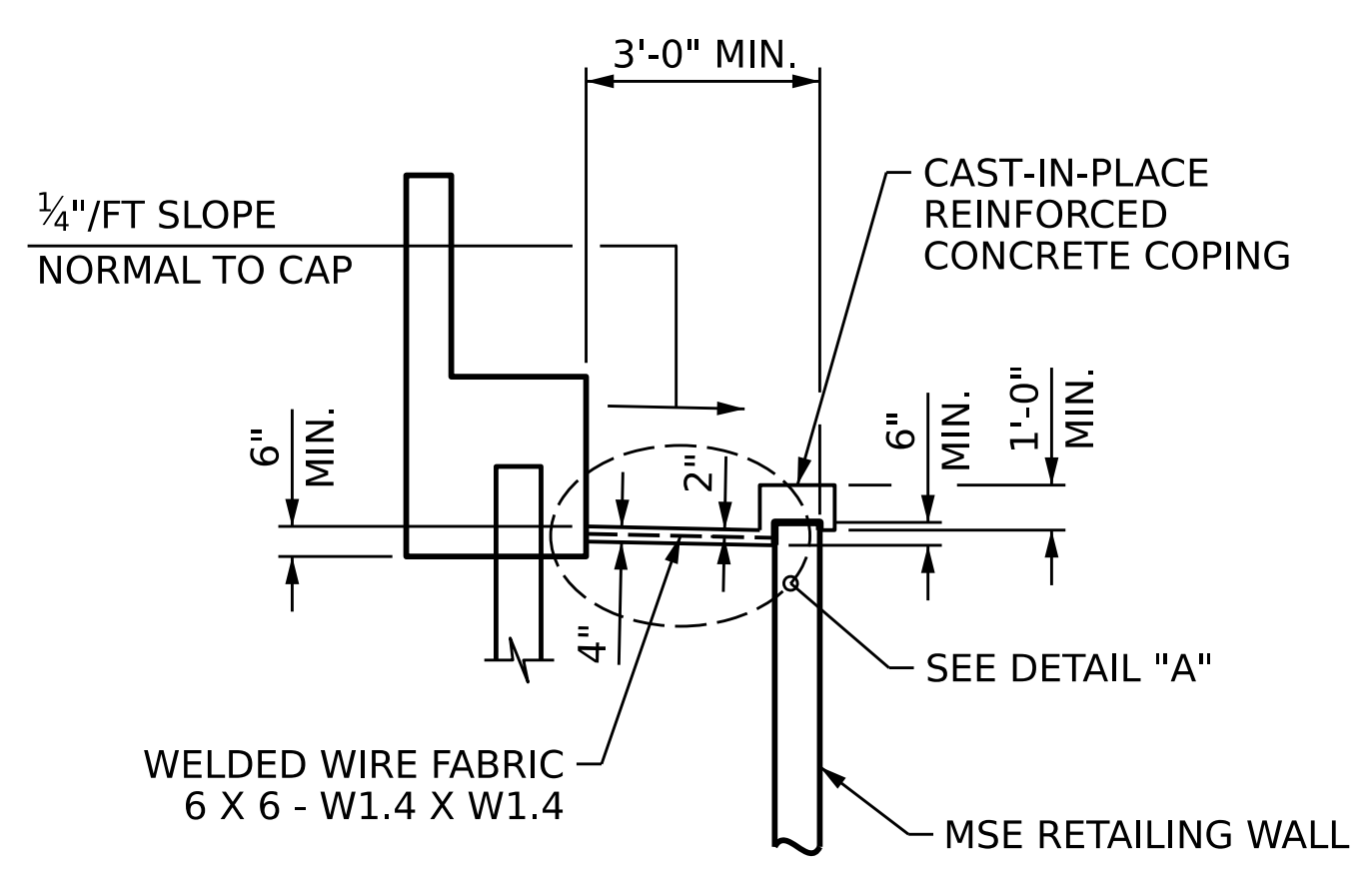


LOCATION	4" SLOPE PROTECTION	WELDED WIRE FABRIC 60 INCHES WIDE
	SQ. YDS.	APPROX. LF
END BENT 1	48.7	121
END BENT 2	116.8	232
TOTAL	165.5	353

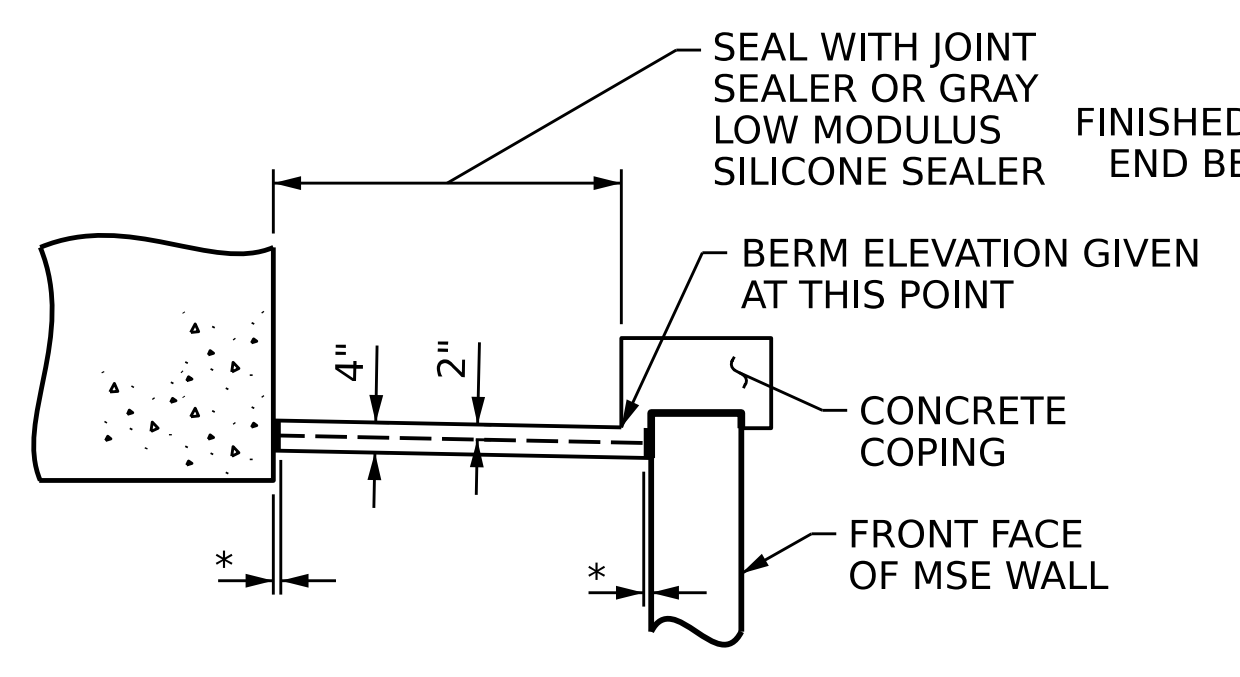


NOTES:
 STAGED CONSTRUCTION JOINT MAY BE SHIFTED AS REQUIRED TO WORK WITH LOCATION OF TEMPORARY SHORING WALL.
 LAP WELDED WIRE FABRIC A MINIMUM OF 6" AT STAGED CONSTRUCTION JOINT.

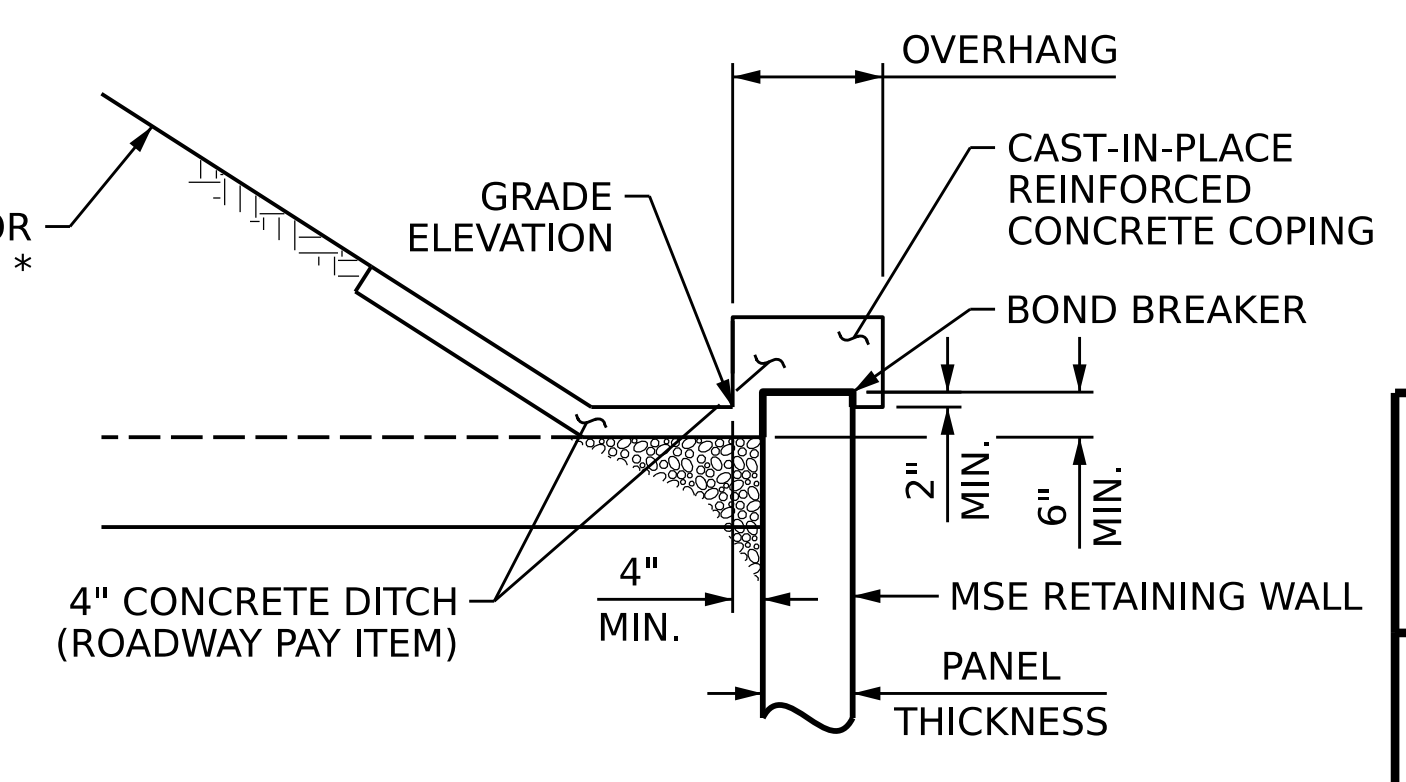
PLAN



SECTION AT END BENT



DETAIL "A"
 * 1" EXP. JT. MAT'L (PLACE DEBONDING TAPE ON TOP OF EXP. JT. MAT'L)



SECTION A-A

PROJECT NO. B-3186 / B-5898
HAYWOOD COUNTY
 STATION: 32+21.34 -L_ LT-

AECOM
AECOM TECHNICAL SERVICES OF NC, INC.
 5438 WADE PARK BOULEVARD, SUITE 200
 RALEIGH, NC 27607
 (919) 854-6200 www.aecom.com
 AECOM License No. FC242

Professional Engineer Seal: **SEAL 041343**
Downloaded by: GREGORY R. COLS
 10/18/2023

REVISIONS						SHEET NO.
NO.	BY:	DATE:	NO.	BY:	DATE:	TOTAL SHEETS
1			3			43
2			4			

STATE OF NORTH CAROLINA
 DEPARTMENT OF TRANSPORTATION
 RALEIGH
 GENERAL DRAWING
SLOPE PROTECTION

DRAWN BY :	M.L. CATER	DATE :	04/2023
CHECKED BY :	S. NATARAJAN	DATE :	04/2023
DESIGN ENGINEER OF RECORD:	G.R. COLS	DATE :	04/2023

DOCUMENT NOT CONSIDERED FINAL UNLESS ALL SIGNATURES COMPLETED